



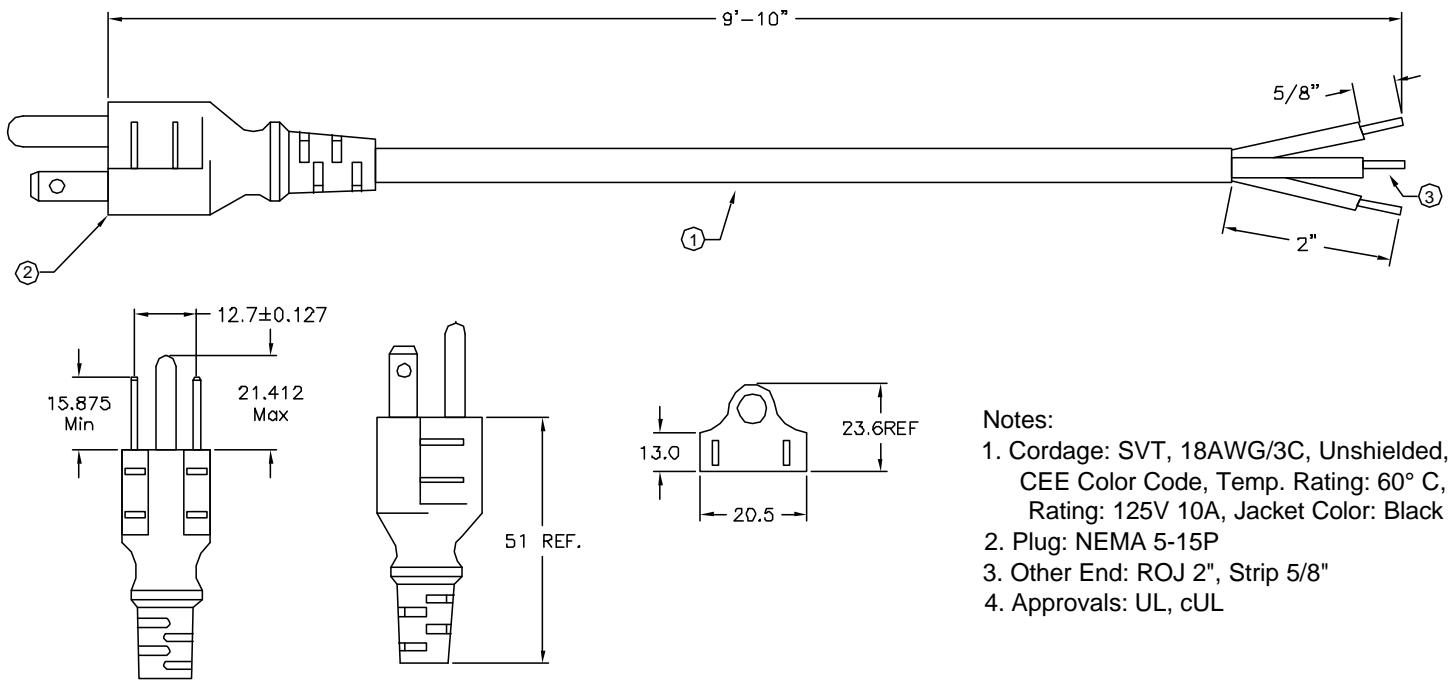
ALL RIGHTS RESERVED. NO PORTION OF THIS PUBLICATION, WHETHER IN WHOLE OR IN PART, CAN BE REPRODUCED WITHOUT THE EXPRESS WRITTEN CONSENT OF SPC TECHNOLOGY.

SPC-F005.DWG

REVISIONS

DOC. NO. SPC-F005 * Effective: 7/8/02 * DCP No: 1308

DCP #	REV	DESCRIPTION	DRAWN	DATE	CHECKD	DATE	APPRVD	DATE
2011	A	Released	JN	12/18/08	JWM	12/18/08	JWM	12/18/08



Notes:

1. Cordage: SVT, 18AWG/3C, Unshielded, CEE Color Code, Temp. Rating: 60° C, Rating: 125V 10A, Jacket Color: Black
2. Plug: NEMA 5-15P
3. Other End: ROJ 2", Strip 5/8"
4. Approvals: UL, cUL

DISCLAIMER:
ALL STATEMENTS AND TECHNICAL INFORMATION CONTAINED HEREIN ARE BASED UPON INFORMATION AND/OR TESTS WE BELIEVE TO BE ACCURATE AND RELIABLE. SINCE CONDITIONS OF USE ARE BEYOND OUR CONTROL, THE USER SHALL DETERMINE THE SUITABILITY OF THE PRODUCT FOR THE INTENDED USE AND ASSUME ALL RISK AND LIABILITY WHATSOEVER IN CONNECTION THEREWITH.

TOLERANCES:
UNLESS OTHERWISE SPECIFIED, DIMENSIONS ARE FOR REFERENCE PURPOSES ONLY.

DRAWN BY:	DATE:
Jason Nash	12/18/08
CHECKED BY:	DATE:
Jeff McVicker	12/18/08
APPROVED BY:	DATE:
Jeff McVicker	12/18/08

DRAWING TITLE: Power Cord			
SIZE	DWG. NO.	ELECTRONIC FILE	REV
A	SPC13273	11J3553.dwg	A
SCALE: NTS	U.Q.M.: INCHES [mm]	SHEET: 1 OF 1	