

**Features and Benefits**

Molex PowerCat 6, Category 6 Slim Boot Patch Cords provide an effective solution to the problem of patch cord congestion in high density 1U active equipment. Ideal for hubs/switches where space between individual RJ45 jacks is limited.

The slim boot patch cord still provides the assurance of anti-sag latch protection whilst eliminating the difficulty associated with patching and re-patching traditionally larger over-moulded patch cords.

Unshielded 4 pair stranded cable  
ETL Verified

- Slim Boot Design
- Suitable for high density active equipment with limited space between individual RJ45 jacks
- Available in 5 colours to facilitate improved wiring closet manageability
- Suitable for EIA 568A/B applications

**Technical Information**

**Mechanical**

Cable  
Conductor size: 24 AWG stranded bare copper  
Max O.D.: 5.6mm (.22")  
Jacket: PVC or LSZH  
Temperature range: -20°C to +60°C

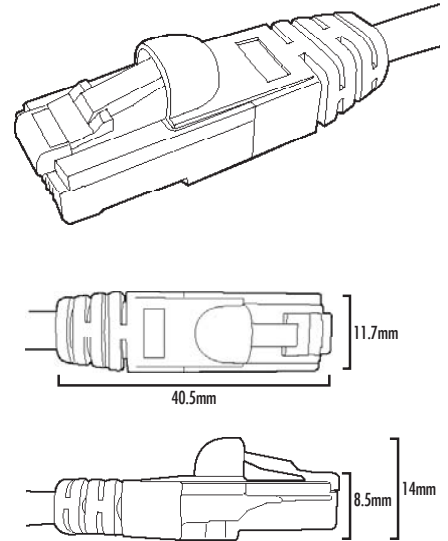
**Mechanical Characteristics**

Plug  
Operating life: Minimum 750 insertion cycles  
Contact material: Copper alloy  
Contact plating: 50µ" Gold/100µ" Nickel  
Plug dimensions & tolerances compliant with FCC Part 68 and IEC 60603-7

Approvals: UL, CSA

**Electrical Characteristics**

Plug  
Max voltage: 150 VAC (max)  
Max current: 1.5A @ 25°C  
Operating temperature: -40°C to 85°C



**ORDERING INFORMATION**

PVC Sheath	LSZH Sheath	Description
PCD-00347-0*	PCD-00363-0*	PowerCat 6 Slim Boot Patch Cord, 568A/B, 0.5m
PCD-00348-0*	PCD-00364-0*	PowerCat 6 Slim Boot Patch Cord, 568A/B, 1m
PCD-00349-0*	PCD-00365-0*	PowerCat 6 Slim Boot Patch Cord, 568A/B, 1.5m
PCD-00350-0*	PCD-00366-0*	PowerCat 6 Slim Boot Patch Cord, 568A/B, 2m
PCD-00352-0*	PCD-00368-0*	PowerCat 6 Slim Boot Patch Cord, 568A/B, 3m
PCD-00353-0*	PCD-00369-0*	PowerCat 6 Slim Boot Patch Cord, 568A/B, 3.5m
PCD-00354-0*	PCD-00370-0*	PowerCat 6 Slim Boot Patch Cord, 568A/B, 4m
PCD-00355-0*	PCD-00371-0*	PowerCat 6 Slim Boot Patch Cord, 568A/B, 5m
PCD-00356-0*	PCD-00372-0*	PowerCat 6 Slim Boot Patch Cord, 568A/B, 6m
PCD-00357-0*	PCD-00373-0*	PowerCat 6 Slim Boot Patch Cord, 568A/B, 7m
PCD-00358-0*	PCD-00374-0*	PowerCat 6 Slim Boot Patch Cord, 568A/B, 8m
PCD-00359-0*	PCD-00375-0*	PowerCat 6 Slim Boot Patch Cord, 568A/B, 9m
PCD-00360-0*	PCD-00376-0*	PowerCat 6 Slim Boot Patch Cord, 568A/B, 10m
PCD-00361-0*	PCD-00377-0*	PowerCat 6 Slim Boot Patch Cord, 568A/B, 15m
PCD-00362-0*	PCD-00378-0*	PowerCat 6 Slim Boot Patch Cord, 568A/B, 20m



Colour Options - C = Red, E = Grey, H = Blue, J = Green, K = Yellow, N = Orange, P = Purple, B = Black

Corporate Headquarters  
Tel: 630 969 4550  
www.molexpn.com

European Headquarters  
Tel: 44 (0) 1489 572111  
www.molexpn.co.uk

Pacific Rim Headquarters  
Tel: 61 3 9971 7111  
www.molexpn.com.au

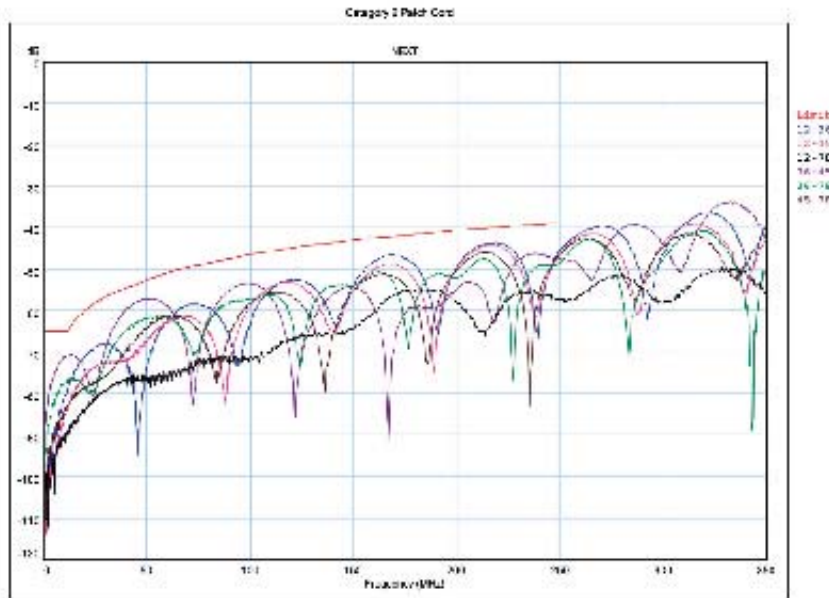


Fig. B.2.1 - PowerCat 6 - VECT Class Cat6

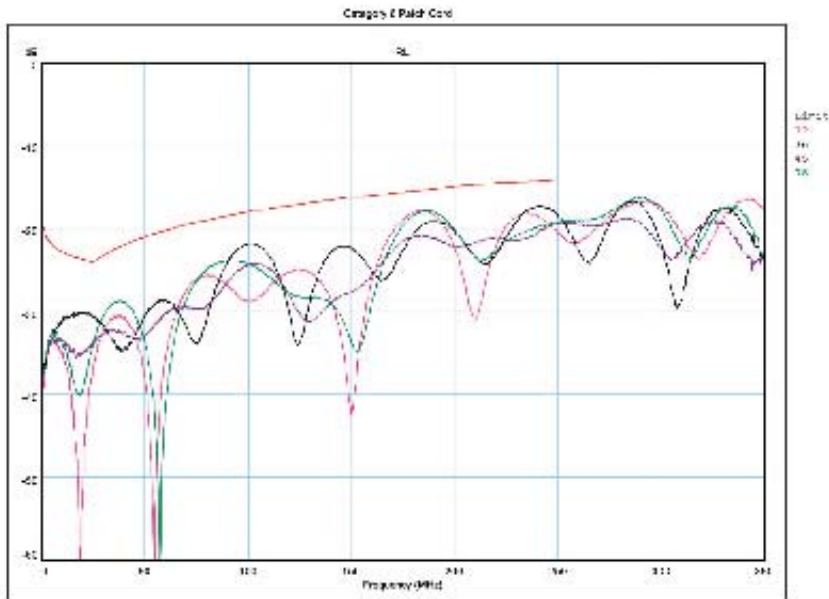


Fig. B.2.2 - PowerCat 6 - UTP EOC Class Cat6

ETL Category 6 Component Compliance Graphs

Corporate Headquarters  
Tel: 630 969 4550  
www.molexpn.com

European Headquarters  
Tel: 44 (0) 1489 572111  
www.molexpn.co.uk

Pacific Rim Headquarters  
Tel: 61 3 9971 7111  
www.molexpn.com.au