



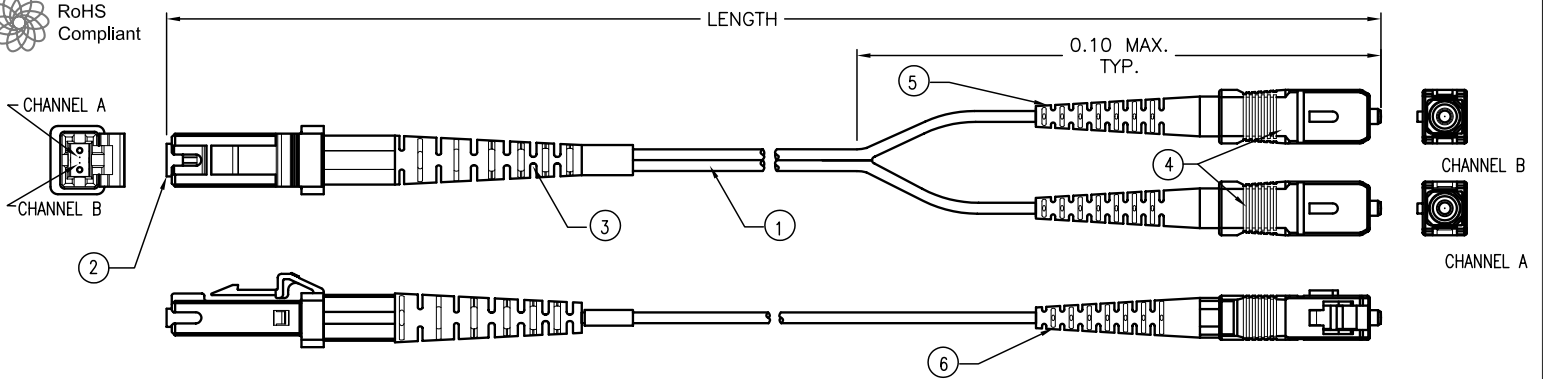
ALL RIGHTS RESERVED. NO PORTION OF THIS PUBLICATION, WHETHER IN WHOLE OR IN PART CAN BE REPRODUCED WITHOUT THE EXPRESS WRITTEN CONSENT OF SPC TECHNOLOGY.

SPC-F005.DWG

REVISIONS

DOC. NO. SPC-F005 * Effective: 7/8/02 * DCP No: 1398

DCP #	REV	DESCRIPTION	DRAWN	DATE	CHECKD	DATE	APPRVD	DATE
1906	A	RELEASED	EO	04/17/06	TL	05/25/06	HO	05/25/06



ITEM#	QTY	DESCRIPTION
①	A/R	CABLE, OPTICAL FIBER, MM, DUPLEX, 62.5/125µM, Ø2.0MM ZIPCORD, ORANGE PVC JACKET, UL, CSA.
②	1	CONNECTOR, OPTICAL FIBER, MTRJ, MULTI-MODE, POLYMER FERRULE, BLACK HOUSING.
③	1	CONNECTOR ACCESSORY, OPTICAL FIBER, MTRJ, MULTI-MODE, BOOT, BLACK POLYVINYL CHLORIDE.
④	2	CONNECTOR, OPTICAL FIBER, SC, MULTI-MODE, CERAMIC FERRULE, BEIGE HOUSING.
⑤	1	CONNECTOR ACCESSORY, OPTICAL FIBER, SC, MULTI-MODE, BOOT, BEIGE POLYVINYL CHLORIDE.
⑥	1	CONNECTOR ACCESSORY, OPTICAL FIBER, SC, MULTI-MODE, BOOT, BEIGE POLYVINYL CHLORIDE.

SPECIFICATION:

1. MAXIMUM INSERTION LOSS: 0.5dB (SC), 0.7dB (MTRJ).

SPC TYPE No.	LENGTH(M)
SPC20010	3
SPC19998	2
SPC19963	1

DISCLAIMER:
ALL STATEMENTS AND TECHNICAL INFORMATION CONTAINED HEREIN ARE BASED UPON INFORMATION AND/OR TESTS WE BELIEVE TO BE ACCURATE AND RELIABLE. SINCE CONDITIONS OF USE ARE BEYOND OUR CONTROL, THE USER SHALL DETERMINE THE SUITABILITY OF THE PRODUCT FOR THE INTENDED USE AND ASSUME ALL RISK AND LIABILITY WHATSOEVER IN CONNECTION THEREWITH.

TOLERANCES:
UNLESS OTHERWISE SPECIFIED, DIMENSIONS ARE FOR REFERENCE PURPOSES ONLY.

DRAWN BY:	DATE:
EKLAS ODISH	04/17/06
CHECKED BY:	DATE:
THOMAS LEE	05/25/06
APPROVED BY:	DATE:
HISHAM ODISH	05/25/06

DRAWING TITLE: Fiber Optic Cable, MTRJ to SC, 62.5/125 Micron, MM			
SIZE	DWG. NO.	ELECTRONIC FILE	REV
A	TA-728	TA-728.DWG	A
SCALE: NTS	U.O.M.: meters	SHEET: 1 OF 1	