

**Features and Benefits**

Molex Premise Networks fibre optic cable assemblies are composed using two part numbering schedules. The more common Multimode Duplex SC and ST assemblies are ordered using the FPC-ABCDE-FG schedule, all others at this point continue to use 91.XX.XXX.XXXXX.

- All patchleads are constructed from duplex zip cord cable.
- ST® Assemblies are constructed with metal nut, plastic body and zirconia ferrule connectors.
- Duplex SC Assemblies are constructed from plastic body, plastic housing and zirconia ferrule connectors.
- Jacket material is LSZH, complying with IEC 60332.1 and IEC 60332.3C
- All pigtails are constructed from secondary-coated bare fibre.
- Patchlead and pigtail jacket and coating colours:
 

62.5/125	OM1 Orange
50/125	OM2 Grey
50/125	OM3 Blue

**Technical Information**

Insertion Loss ≤ 0.35 dB

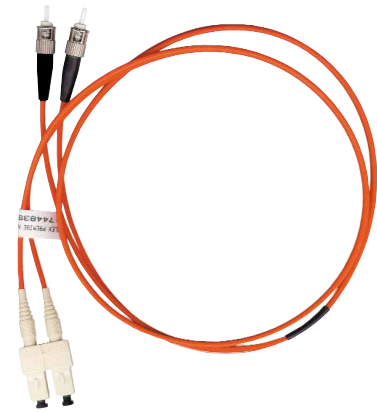
Fibre Bandwidths (@850nm and 1300nm) under over-filled launch conditions:-

50/125µm:	500/500 MHz.Km (OM2 Standard)
62.5 / 125µm:	200/500 MHz.Km (OM1 Standard)
50/125µm:	1500/500 MHz.Km (OM3 Standard)

Attenuation values: ≤ 3.5 dB/Km@850nm  
 ≤ 1.5 dB/Km@1300nm

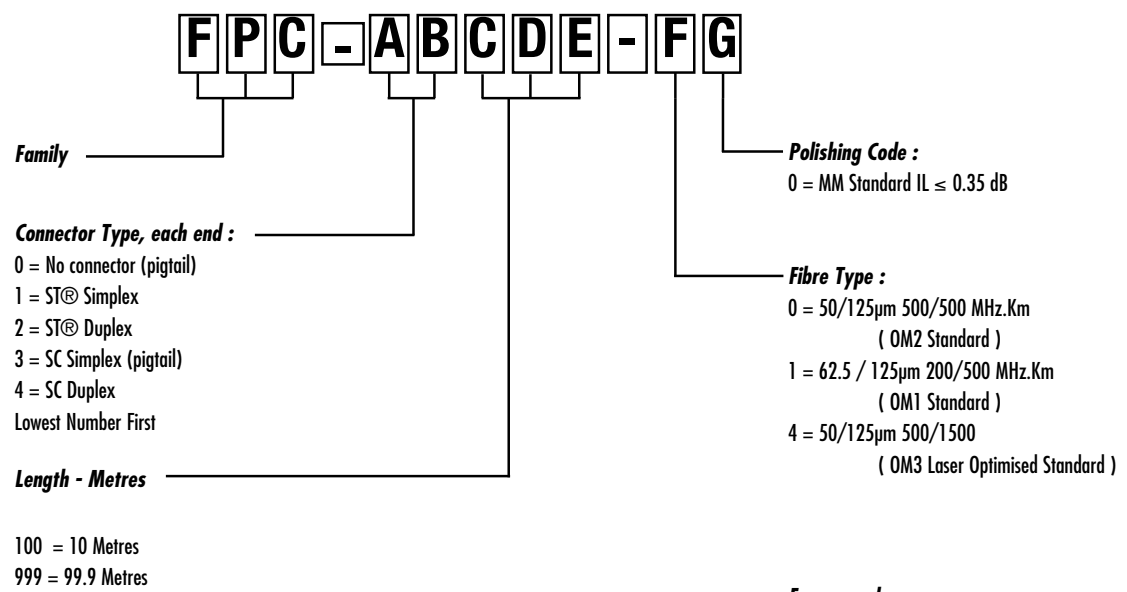
Connector endfaces inspected and certified to BS:7718 Annex A Section A7

Nominal Jacket Thickness: 0.55 mm



**ORDERING INFORMATION**

**For ST and SC Duplex Multimode Assemblies use this table. For all other, use the table on page 2.**



**For example :**  
 To order a 1 metre Duplex LSZH 62.5/125 ST® to Duplex SC Patch Cord, the part number would be. FPC-24010-10

**MOLEX PREMISE NETWORKS**

**Molex Premise Networks**  
 Corporate Headquarters  
 Tel: 603 324 0200  
 www.molexpn.com

**European**  
 Headquarters  
 Tel: 44 (0) 1489 572111  
 www.molexpn.co.uk

**Pac-Rim**  
 Headquarters  
 Tel: 61 3 9747 8322  
 www.molexpn.com.au

**Molex**  
 Incorporated  
 Tel: 630 969 4550  
 www.molex.com

Downloaded from [Elcodis.com](http://Elcodis.com) electronic components distributor

## FEATURES AND SPECIFICATIONS



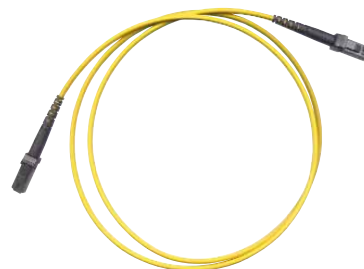
## Fibre Optic Cable Assemblies

### Features and Benefits

Molex Premise Networks offers a comprehensive range of Fibre Optic Cable assemblies for both Multimode and Singlemode applications. Low Smoke Zero Halogen Cable (LSZH) is used for all standard fibre cable assemblies.

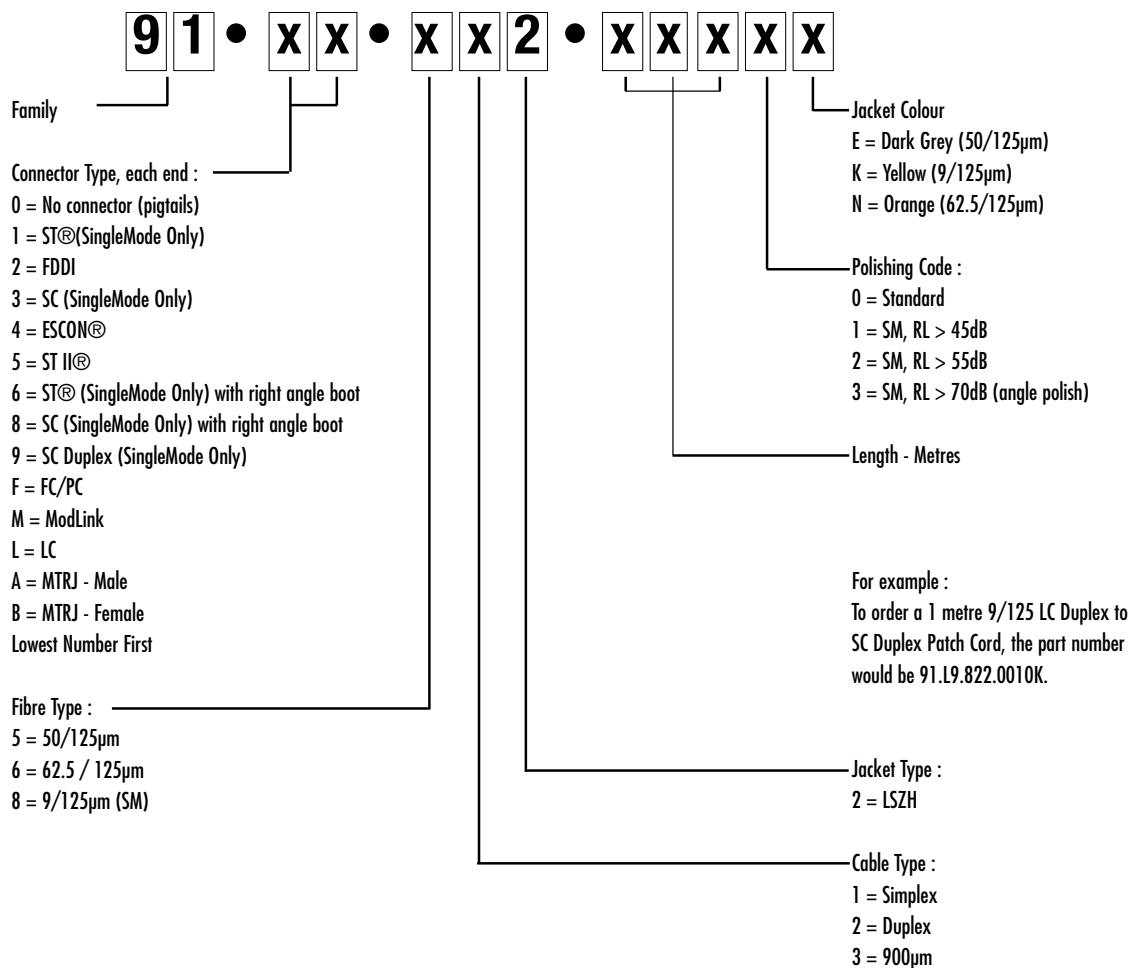
Special part numbers can be created using the table below.

- Standard or custom assemblies
- Precision ferrule endface geometry
- Multimode and singlemode
- Controlled fibre protrusion
- Factory polished, tested and serialized.
- Insertion Loss <0.35dB per connector



## ORDERING INFORMATION

**For ST and SC Duplex Multimode Assemblies use the table on page 1. For all other assemblies, use this table.**



### MOLEX PREMISE NETWORKS

**Molex Premise Networks**  
Corporate Headquarters  
Tel: 603 324 0200  
www.molexpn.com

**European**  
Headquarters  
Tel: 44 (0) 1489 572111  
www.molexpn.co.uk

**Pac-Rim Headquarters**  
Tel: 61 3 9747 8322  
www.molexpn.com.au

**Molex Incorporated**  
Tel: 630 969 4550  
www.molex.com