



Introduction

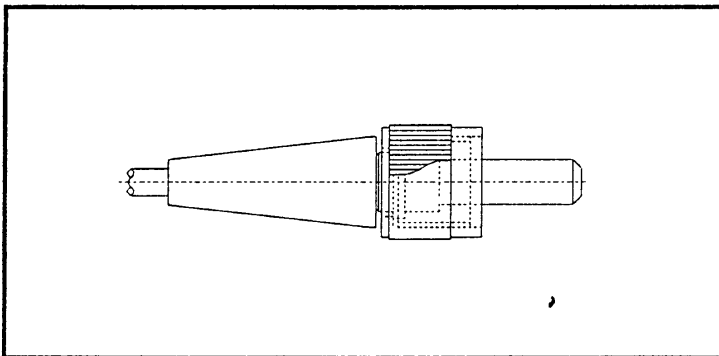
A range of fibre optical leads, all terminated with 9mm FSMA connectors compatible with FSMA transmitter and receivers. All the terminations are glued and polished to the highest standards.

The 200/230µm glass fibres leads are manufactured from tight jacket cable, with FSMA connectors.

Specifications

| | |
|---------------------------------|--|
| Fibre type | 200/230µm |
| Cable type | 2.5mm kevlar strength tight jacket (PVC) |
| Connector type | Polished FSMA |
| Numerical aperture (typ) | 0.37 |
| Fibre attenuation (typ) | 6dB/km @ 850nm |
| Bandwidth (typ) | 10MHz |
| Minimum recommended bend radius | 50mm |
| Operation temperature | -20°C to +80°C |

Fibre Optic Connector



| <u>Part Number</u> | <u>Cable length</u> | <u>Manufacturers part number</u> |
|--------------------|---------------------|----------------------------------|
| 595-548 | 2m | A65A152A0 |
| 595-550 | 5m | A65A155A0 |
| 595-561 | 10m | A65A1510A0 |