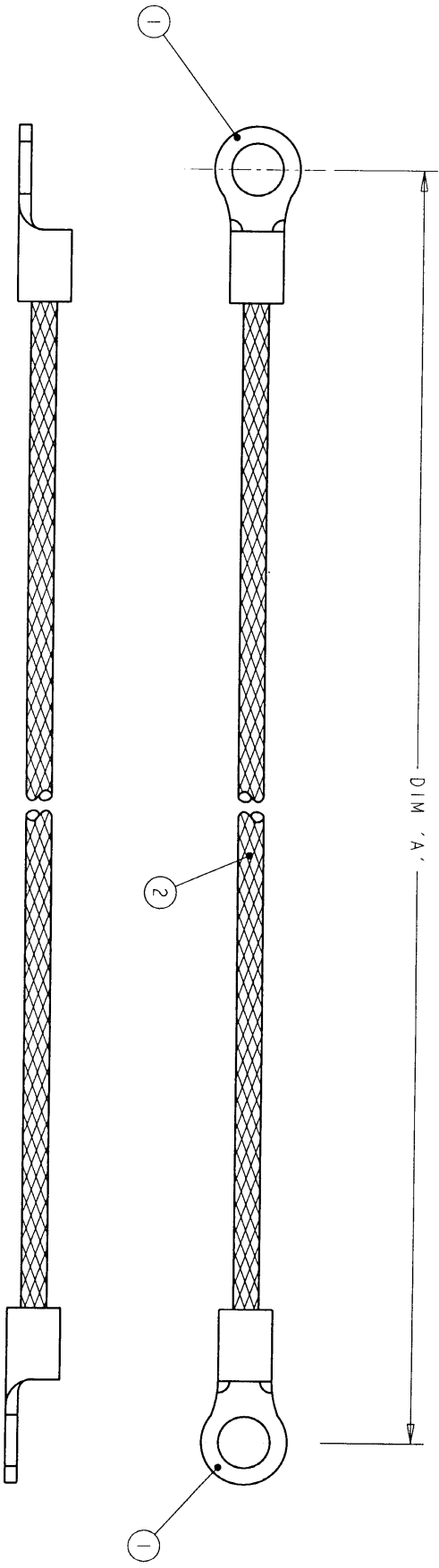


ITEM NO	PART NUMBER	DESCRIPTION	QTY / ASSY
1	32186-0	TERMINAL RING TONGUE / 16-14 AWG	2
2	1337713-2	METTEX BRAIDED CABLE - 1.13mm ²	A/R



200 ±5	1337667-3
150 ±5	1337667-2
100 ±5	1337667-1
DIM 'A'	TYCO PART NUMBER

353 2872 / 2884 / 2896

AMP 1410-19 REV 31MAR2000

THIS DRAWING IS UNPUBLISHED. IT IS SUBJECT TO CHANGE WITHOUT NOTICE. THE USER ASSUMES ALL RESPONSIBILITY FOR THE PROPER USE OF THIS DRAWING. THE USER SHOULD CONSULT THE TYCO DIVISION FOR THE LATEST REVISION.

DIMENSIONS: (mm)		TOLERANCES UNLESS OTHERWISE SPECIFIED:	
0 P/LC	±.1	0 P/LC	±.1
1 P/LC	±0.01	1 P/LC	±0.01
2 P/LC	±0.001	2 P/LC	±0.001
3 P/LC	±0.001	3 P/LC	±0.001
4 P/LC	±.1	4 P/LC	±.1
FINISHES		FINISHES	
-		-	

DATE	02JAN2001	NAME	tyco
CHK	R. CHURCHILL	AMP of Great Britain Ltd.	tyco
PRODUCT SPEC	D. CHICK	Stonmore, Middlesex, HA7 4RS.	tyco
APPLICATION SPEC	J. JEWELL		
WEIGHT		SIZE	A3
CUSTOMER DRAWING		CAGE CODE	00779
		DRAWING NO	1337667
		RESTRICTED TO	