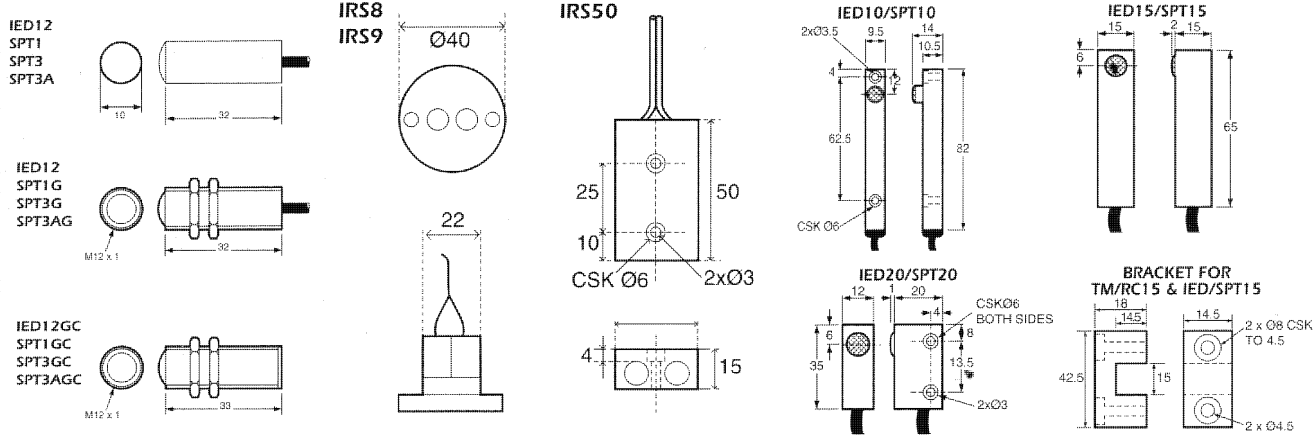
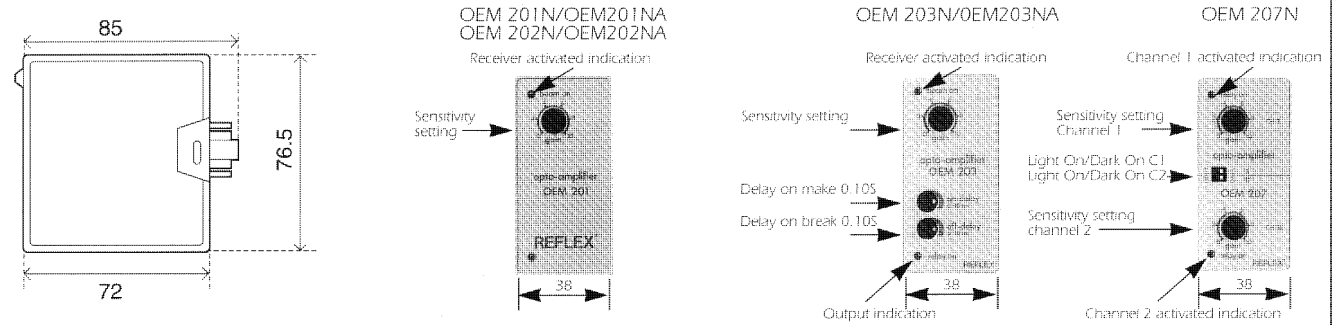


## DIMENSIONS (SENSORS)

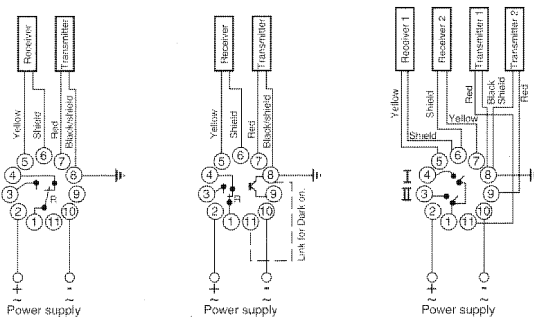


## DIMENSIONS AND FRONT PANEL DESCRIPTION (AMPLIFIERS)



## WIRING

OEM 201N/OEM201NA    OEM 202N/OEM202NA  
OEM 203N/OEM203NA    OEM 207N



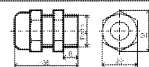
### TRANSMITTER/RECEIVER

CONNECTOR TYPE  
VIEWED FROM REAR  
OF SENSOR



PIN 1 SIG  
PIN 2 N/C  
PIN 3 OV  
PIN 4 N/C

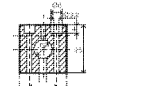
**TA1**  
Mounting PG 1 I  
chromated brass



**TA2**  
Screw mounting bezel  
black/white ABS



**TA10**  
Mounting block  
26x26x26mm  
black ABS



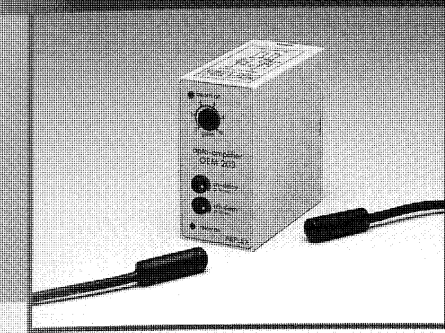
**MP5006**  
Snap-in mounting bezel  
black ABS



IED12/SPT#	IED12T/SPT#G	IED12GC/SPT#GC	IRS8/IRS9	IRS50	IED10/SPT10#	IED15/SPT15#	IED20/SPT20#

# REFLEX®

# PHOTOSENSORS



## REFLEX OEM - SERIES



- Long range (20m using IED12, SPT3A, OEM201N)
- Transmitters and Receivers sealed to IP67
- Small Photoelectrics (Ø10 x 30mm long)
- Easy to install
- For doors, elevators and many other applications
- Automatic sensitivity setting amplifiers available
- Cylindrical, threaded or rectangular style sensors

### TECHNICAL SPECIFICATIONS - AMPLIFIERS

Type No.	OEM201N/OEM201NA*	OEM202N/OEM202NA*	OEM203N/OEM203NA*	OEM207N
Power Supply	240VAC, 24VAC, 24VDC ± 10% (other voltages on request)			
Power consumption	2.8VA			
Output	Relay SPDT 250VAC 8A Resistive	Relay SPDT 250VAC 8A Resistive NPN 50mA 30VDC	Relay SPDT 250VAC 8A Resistive NPN 50mA 30VDC	2 Relays SPDT 250VAC 8A Resistive
Time function	-	-	Delay on make 0 to 10S Delay on break 0 to 10S	-
Response time	<65ms	<65ms	<65ms	<33ms
Indication	LED	LED	LED	2 LED
Sensitivity	Potentiometer	Potentiometer	Potentiometer	Potentiometer x 2
Operating Temp.	-20°C to +60°C			
Housing	ABS			
Light source	Infrared modulated LED			Multiplexed OEM 201N
Connection	11-Pin socket			

\*OEM201NA, OEM202NA, OEM203NA are automatic Sensitivity setting.

### TECHNICAL SPECIFICATIONS - TRANSMITTER/RECEIVERS (CYLINDRICAL/THEADED TYPES)

Type number	Transmitters		Receivers		Transmitter/Receivers	
	IED1Z/IED1ZG IED12GC	SPT1/SPT1G SPT1GC	SPT3/SPT3G SPT3GC	SPT3A/SPT3AG SPT3AGC	IRS 8	IRS 9
Range: Throughbeam Diffuse white A4 paper Diffuse black A4 paper Retro-Reflective using K2 reflector	-	2.5m	7m 0.85m 0.25m	20m 2m 0.65m	0.85m 0.25m	2m 0.65m
Light source	Infrared LED Modulated					
Operating Temp.	-20°C to +60°C					
Housing	Noryl					
Protection	IP67					
Connection	Black PVC cable 5m long 2x0.22mm <sup>2</sup>	Black PVC cable 5m long 0.22mm <sup>2</sup> + Shield			Black PVC cable 5m long 2x0.22mm <sup>2</sup> + Shield	

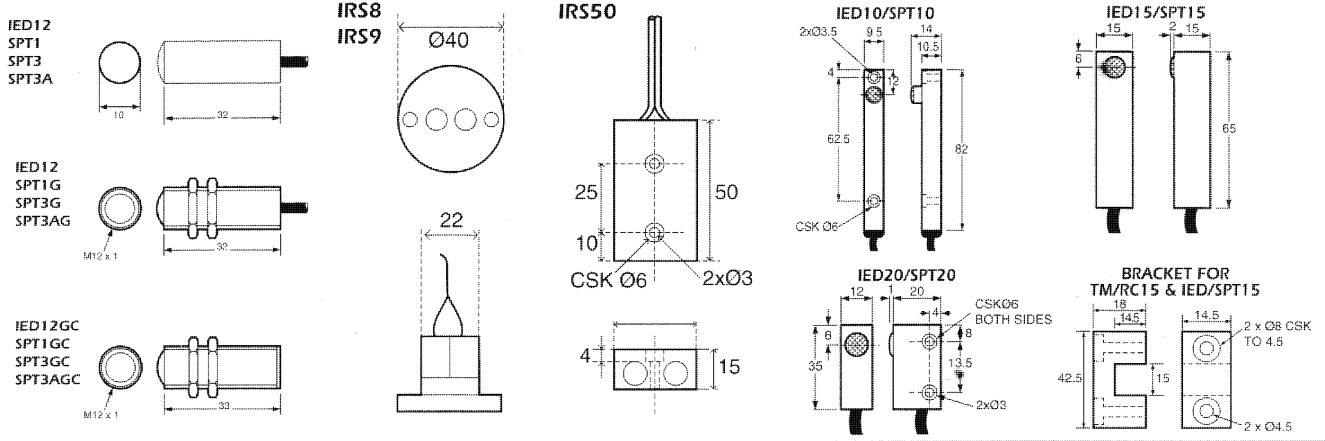
\*IED Transmitters are used for all SPT Receivers

### TECHNICAL SPECIFICATIONS - TRANSMITTER/RECEIVERS (RECTANGULAR TYPES)

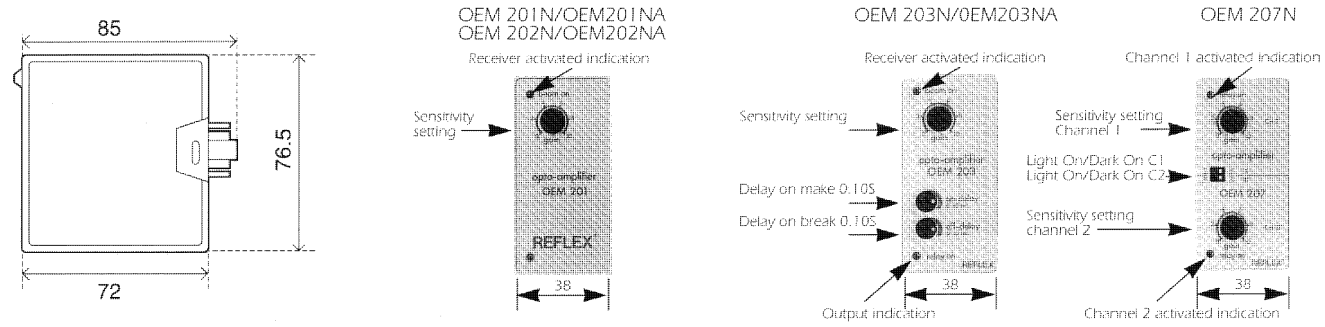
Type number	Transmitters		Receivers		Transmitter/Receivers
	IED10*/IED15* IED20*	SPT10A/SPT15A SPT20A	SPT10B/SPT15B SPT20B	SPT10C/SPT15C SPT20C	
Range: Throughbeam Retro-Reflective (using K2 reflector)	-	20m	10m	5m	2.5m
Light source	Modulated Infra-red LED				
Operating Temp.	-20°C to +60°C				
Housing	Case: Noryl Lens: Lexan				Delrin
Protection	IP67				
Connection	Black PVC cable 5m long 2x0.25mm <sup>2</sup>	Black PVC cable 5m long 1x0.25mm <sup>2</sup> + Shield			Black PVC cable 5m long 2x0.25mm <sup>2</sup> + Shield

\*IED Transmitters are used for all SPT Receivers

## DIMENSIONS (SENSORS)

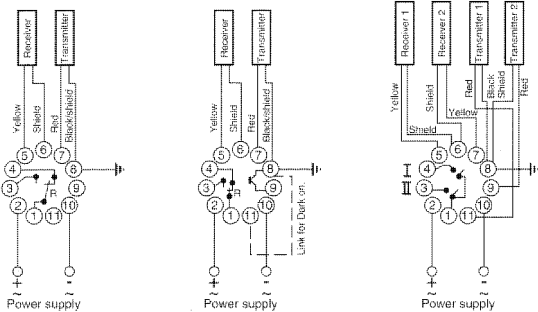


## DIMENSIONS AND FRONT PANEL DESCRIPTION (AMPLIFIERS)



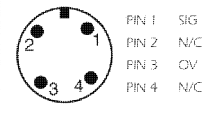
## WIRING

OEM 201N/OEM201NA    OEM 202N/OEM202NA  
OEM 203N/OEM203NA    OEM 207N

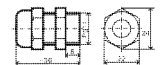


### TRANSMITTER/RECEIVER

CONNECTOR TYPE  
VIEWED FROM REAR  
OF SENSOR



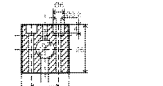
**TA1**  
Mounting PG11  
chromated brass



**TA2**  
Screw mounting bezel  
black/white ABS



**TA10**  
Mounting block  
26x26x26mm  
black ABS



**MP5006**  
Snap-in mounting bezel  
black ABS



IED12/SPT#	IED12T/SPT#G	IED12GC/SPT#GC	IRS8/IRS9	IRS50	IED10/SPT10#	IED15/SPT15#	IED20/SPT20#