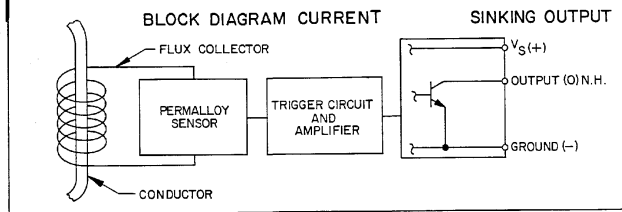
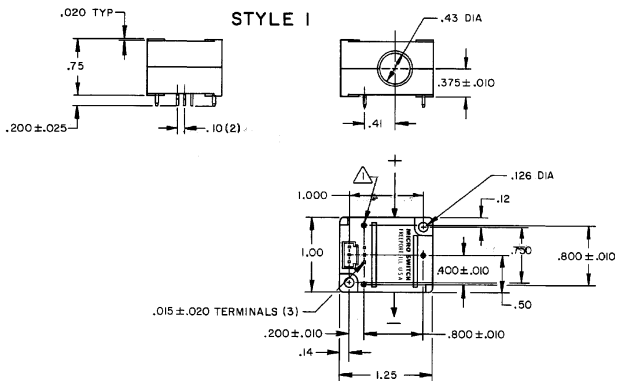


M CSD SERIES CHART 1

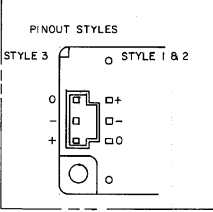
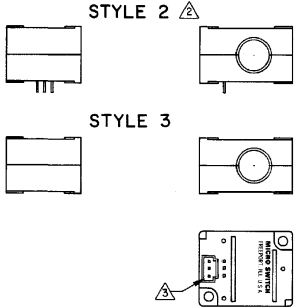


ABSOLUTE MAXIMUM RATING

SUPPLY VOLTAGE (V _S)	24 VDC FOR DEVICE WITH RECOMMENDED V _S OF 6-16 VDC 10 VDC FOR DEVICE WITH RECOMMENDED V _S OF 5 ± 2 VDC
VOLTAGE EXTERNALLY APPLIED TO OUTPUT	+30.0 VDC MAX. WITH SWITCH IN "OFF" CONDITION ONLY -0.5 VOLTS MIN WITH SWITCH IN "OFF" OR "ON" CONDITION
OUTPUT CURRENT	20mA
TEMPERATURE	-40°C TO +125°C
CURRENT	DEVICE WILL NOT BE DAMAGED BY CURRENT OVER-DRIVE

ELECTRICAL CHARACTERISTICS

	MIN	TYP	MAX	REMARKS
SUPPLY CURRENT (WITHOUT LOAD)		2.5mA	12.0mA 10.0mA	MAX (OPERATED) MAX (RELEASED)
OUTPUT VOLTAGE (OPERATED)		0.26V	0.45V	SINKING 20 mA MAX
OUTPUT LEAKAGE CURRENT (RELEASED)			10 μA	LEAKAGE INTO SWITCH OUTPUT
OUTPUT SWITCHING TIME (SINKING 8mA)				
RISE TIME		0.2 μS	1.5 μS	10% TO 90%
FALL TIME		0.1 μS	0.5 μS	90% TO 10%



OPERATE CURRENT (AMP-TURNS) @ 25°C	OPERATE CURRENT (AMP-TURNS) -25°C TO +85°C	RELEASE CURRENT (AMP-TURNS) -25°C TO +85°C	SUPPLY VOLTAGE (V _S)	RESPONSE TIME (μS) MAX.	CATALOG LISTING		
					STYLE 1	STYLE 2	STYLE 3
0.50 ^{+0.38} _{-0.18}	0.50 ^{+0.50} _{-0.25}	.08 MIN.	5 ± 2	100	⊕	CSDC18A	CSDC1DA
0.50 ^{+0.38} _{-0.18}	0.50 ^{+0.50} _{-0.25}	.08 MIN.	6-16	100		CSDA1AA	CSDA1BA CSDA1DA
3.50 ^{+3.0} _{-1.5}	3.50 ^{+4.0} _{-1.8}	0.6 MIN.	5 ± 2	100		CSDC1AC	
3.50 ^{+3.0} _{-1.5}	3.50 ^{+4.0} _{-1.8}	0.6 MIN.	6-16	100		CSDA1AC	CSDA1BC CSDA1DC

- NOTES**
- 1 INCLUDES (3) .025 X .025 PINS FOR WAVE SOLDER MOUNTING
 - 2 ACCEPTS CONNECTOR EQUIVALENT TO AMP PART # 102241-1
 - 3 AT RATED SUPPLY VOLTAGE AND OVER A TEMPERATURE RANGE OF -25°C TO +85°C
 - 4 AT A TEMPERATURE OF 24 ± 2°C AND A SUPPLY VOLTAGE OF 5 VDC ± 0.5% FOR 5 ± 2 VDC RATED DEVICES OR 16 VDC ± 0.5% FOR 6-16 VDC RATED DEVICES
 - 5 ABSOLUTE MAXIMUM RATINGS ARE THE EXTREME LIMITS THAT THE DEVICE WILL WITHSTAND WITHOUT DAMAGE TO THE DEVICE. HOWEVER, THE ELECTRICAL CHARACTERISTICS ARE NOT GUARANTEED AS THE MAXIMUM LIMITS (ABOVE RECOMMENDED OPERATING CONDITIONS) ARE APPROACHED
 - 6 OPERATING CURRENT SPECIFICATIONS ARE FOR CONVENTIONAL CURRENT FLOW IN THE INDICATED DIRECTION. WITH CONVENTIONAL CURRENT FLOW IN THE OPPOSITE DIRECTION, THE OPERATING CURRENT WILL CHANGE. ALSO, FOLLOWING A CURRENT REVERSAL, THE NEXT FEW OPERATIONS IN THE FORWARD DIRECTION MAY HAVE A MINOR SHIFT IN OPERATE POINT
 - 7 EXPOSURE TO LARGE STRAY MAGNETIC FIELDS COULD EFFECT THE OPERATING CURRENT



THIS DRAWING COVERS A PROPRIETARY ITEM AND IS THE PROPERTY OF MICRO SWITCH, A DIVISION OF HONEYWELL. THIS DRAWING IS NOT TO BE COPIED OR USED WITHOUT THE APPROVAL OF MICRO SWITCH.

MICRO SWITCH
 a Honeywell Division

CATALOG LISTING
CURRENT SENSOR
CSD SERIES CHART 1

FED. MFG. CODE 91920

THIRD ANGLE PROJECTION

SCALE FULL

DO NOT SCALE PRINT

UNLESS OTHERWISE SPECIFIED TOLERANCES ARE

ONE PLACE (01)	±.030
TWO PLACES (00)	±.015
THREE PLACES (000)	±.005
ANGLES	±
WEIGHT	