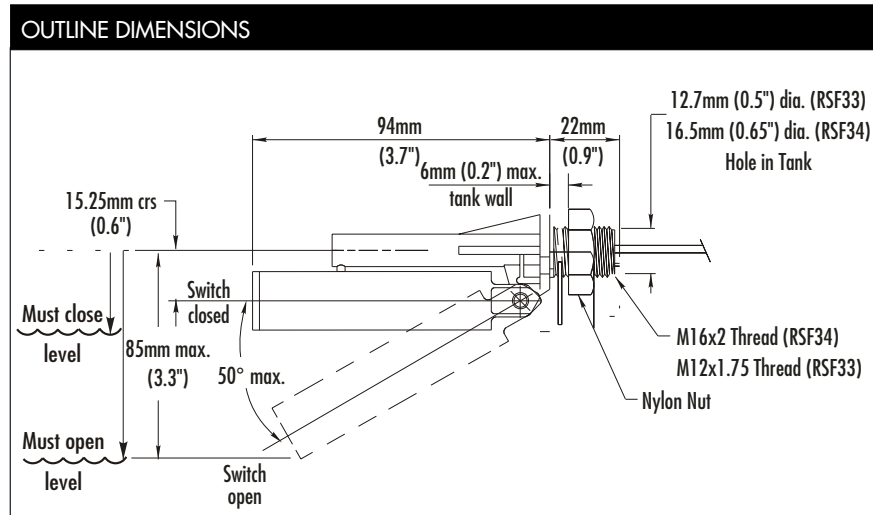


RSF30 Series

The RSF30 series is a range of high power side entry, internally mounted devices. Mounting of this series requires access to the inside of the tank. They are manufactured in Nylon or Polypropylene, with a choice of gasket materials, to suit most commonly used liquids. The switch action may be reversed by rotating the device through 180°.

TECHNICAL SPECIFICATIONS			ELECTRICAL SPECIFICATIONS	
Material	Nylon	Polypropylene	Switching Voltage VA	100
Colour	Black	Opaque	Switching Voltage AC	240
Temp. Range	°C	-20 / +75	Switching Voltage DC	120
	°F	-4 / +167	Switching Current Max. A	5
Min. Fluid S.G.	0.8	0.8	Breakdown Voltage DC	575
Must Close Level (S.G.=1)	20mm	23mm	All ratings are for resistive load only.	
Must Open Level (S.G.=1)	47mm	52mm		

Stock No.	Crydom no.	Material	Leadouts	Gaskets	Thread size
146-300	RSF33W100NC	Nylon	1m PVC 24/0.2	Nitrile	M12x1.75
304-8007	RSF33W100RC	Nylon	1m PVC 16/0.2 UL approved	Nitrile	M12x1.75
304-8032	RSF34W100RF	Polypropylene	1m PVC 16/0.2 UL approved	Nitrile	M16x2



CRYDOM

Control over power



- 100W contacts available
 - Rugged design
 - Reliable reed switch contacts
 - WRAS approval
 - Many variants are UL recognised components
- File number E171218**

Crydom Magnetics Ltd
 7 Cobham Road
 Ferndown Industrial Estate
 Wimborne
 Dorset BH21 7PE
 Tel: +44 (0) 1202 897969
 Fax: +44 (0) 1202 891918
 magnetics@crydom.com
 www.crydom.co.uk

Every effort has been made to ensure that the descriptions and specifications quoted are correct, however, no liability can be accepted for any errors or omissions in this data. The detail specifications are subject to change without prior notice.

RSF30-2000Farnell