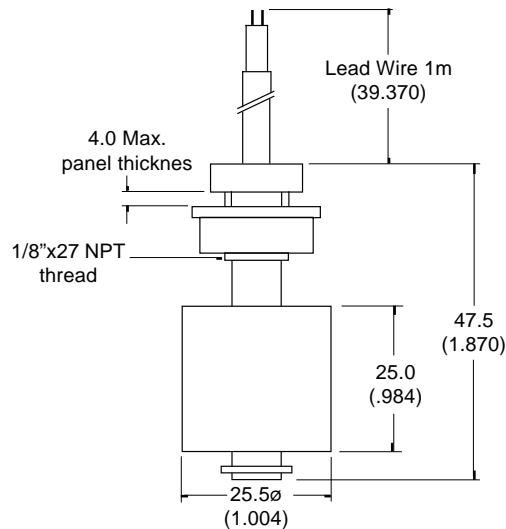


Comus Group of Companies

PRODUCT DATA SHEET

Supplied by



Drawings not to scale
All dimensions in mm (inches) nominal

Reed switch is UL approved

SPECIFICATION

CONTACT FORM		Reversible Float
SWITCHING VOLTAGE	Max. V	400Vac/dc
SWITCHING CURRENT	Max. A	2.0
CARRY CURRENT	Max. A	3.0
SWITCHING CAPACITY	Max. VA	40
CONTACT RESISTANCE	Max. mΩ	80
LEAD WIRE		PVC 0.5mm ²
REVERSIBLE SWITCH ACTION		YES
OPERATING PRESSURE	Max. Kg/cm ²	1.0
OPERATING TEMPERATURE	Deg. °C	-20° +80°
MATERIAL		Polypropylene
SUITABLE SPECIFIC GRAVITY		0.75
MOUNTING HOLE DIA.	mm.	10.5

FLOAT - Reed Switch - Plastic

PART NUMBER
P219

Rev. No.	Revision Note	Date	Signature
A	Web Site 2002	1-1-02	RG

The Comus Group of Companies consist of:
Assemtech Europe Limited
E. Bachem GmbH
Comus International
W. Gunther GmbH
Gunther Belgium
Gunther France
S.T.G.

As part of the company policy of continued product improvement, specifications may change without notice. Our sales office will be pleased to help you with the latest information on this product range and details of our full design and manufacturing service. All products are supplied to our standard conditions of sale otherwise agreed in writing.

©2002 Copyright Comus Group of Companies