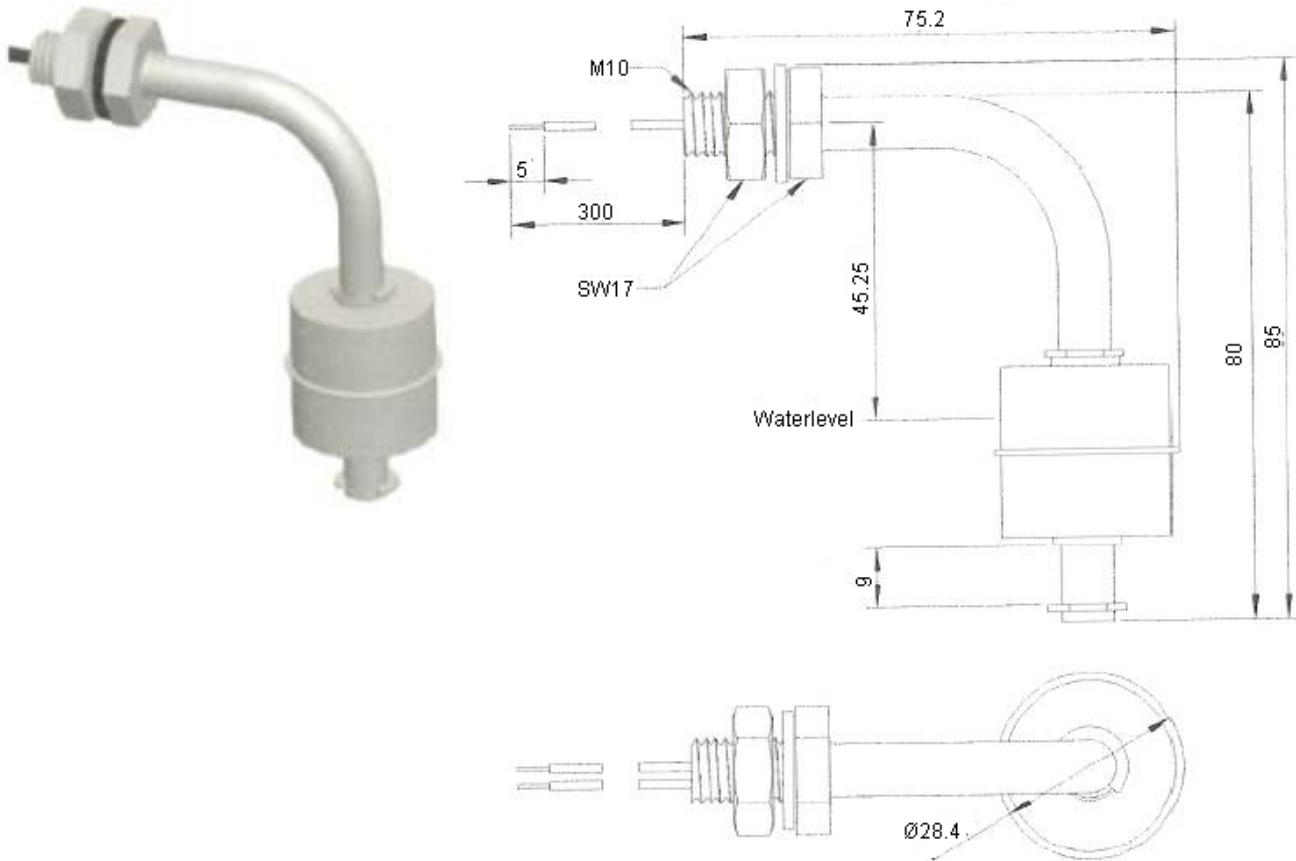


# Float Switch - Stainless Steel

## Horizontal



### Specifications:

#### Technical Data:

Electrical connection	: Wires UL1332 AWG22, stripped + tinned.
Mechanical connection	: M10.
Guide tube	: $\phi 8$ mm, stainless steel.
Float	: cylinder $\phi 28$ , 4mm, stainless steel.
Temperature range	: -40 to +125°C.
Protecting rating	: IP67.
Maximum static pressure	: 10 bar.
Average float-gravity	: 0,7g/cm <sup>3</sup> .
Minimum gravity of medium	: 0,8g/cm <sup>3</sup> .
Mounting attitude	: Side mounted
Surface treatment	: mechanical polished.
Sealing	: Silicone.

#### Variants:

Electrical	: 3 : 10W, 200V DC, 0,5A
	: 10VA, 140V AC.
	: 6 : 50W, 350V DC, 0,5A
	: 70VA, 300V AC
Switch circuits on rising level	: A : norm. open (form A)
	: B : norm. closed (form B)
Stainless steel type	: SUS304 (1.4301)

<http://www.farnell.com>  
<http://www.newark.com>  
<http://www.cpc.co.uk>



# Float Switch - Stainless Steel

## Horizontal

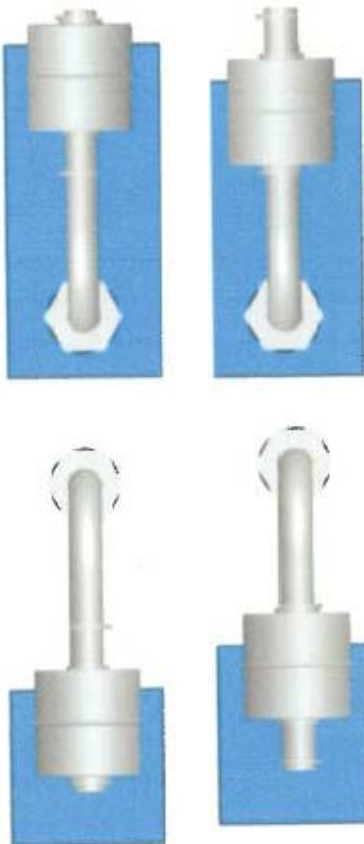


Customized types available.



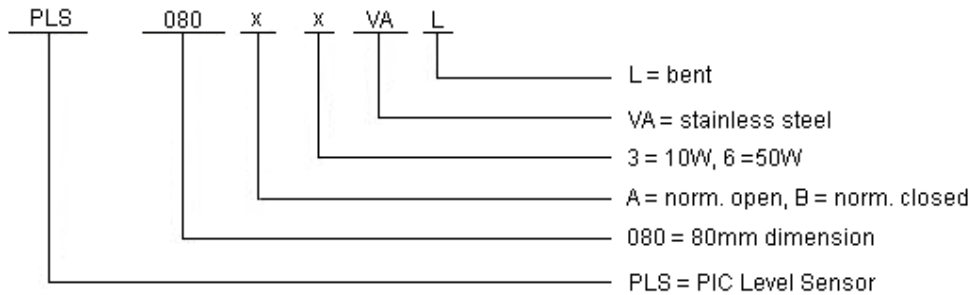
Mount mark down for form A up for form B

Form A:	Open	Closed
Form B:	Closed	Open



# Float Switch - Stainless Steel

## Horizontal



### Part Number Table

Description	Part Number
Float Switch, NO, S/Steel, Horiz	MCPLS-080A-6VAL

**Disclaimer** This data sheet and its contents (the "Information") belong to the Premier Farnell Group (the "Group") or are licensed to it. No licence is granted for the use of it other than for information purposes in connection with the products to which it relates. No licence of any intellectual property rights is granted. The information is subject to change without notice and replaces all data sheets previously supplied. The information supplied is believed to be accurate but the Group assumes no responsibility for its accuracy or completeness, any error in or omission from it or for any use made of it. Users of this data sheet should check for themselves the information and the suitability of the products for their purpose and not make any assumptions based on information included or omitted. Liability for loss or damage resulting from any reliance on the information or use of it (including liability resulting from negligence or where the Group was aware of the possibility of such loss or damage arising) is excluded. This will not operate to limit or restrict the Group's liability for death or personal injury resulting from its negligence. SPC Multicomp is the registered trademark of the Group. © Premier Farnell plc 2009.

<http://www.farnell.com>  
<http://www.newark.com>  
<http://www.cpc.co.uk>

