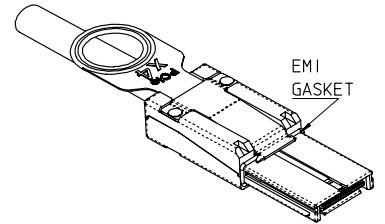
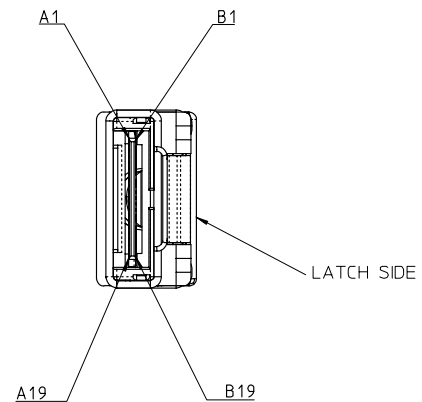
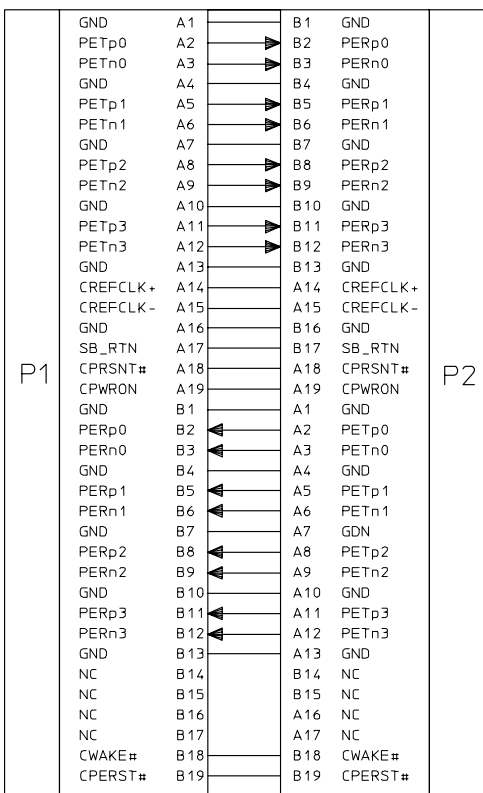


P/N	LENGTH	TOLERANCE	JACKET RATING
74546-0401	1M	0.05M	VW1
74546-0402	2M	0.05M	VW1
74546-0403	3M	0.05M	VW1
74546-0404	4M	0.10M	VW1
74546-0405	5M	0.10M	CL2
74546-0406	6M	0.13M	CL2
74546-0407	7M	0.13M	CL2
74546-0408	8M Δ	0.13M	CL2
74546-0409	9M Δ	0.15M	CL2
74546-0410	10M Δ	0.15M	CL2

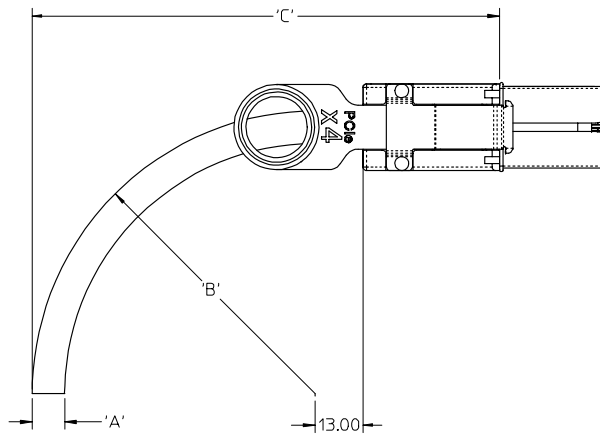


- NOTES:
- MATERIAL =
BACKSHELLS - ZINC DIECAST
PULL - NYLON
CABLE JACKET RATING - SEE TABLE
 - LENGTH AND TOLERANCE - SEE TABLE
 - ELECTRICAL PERFORMANCE PER PCI EXPRESS EXTERNAL CABLING SPEC.
 - PLUG MATES TO RECEPTACLE 75586-0010, AND EMI GUIDE HOUSING ASSY.74540-0400
 - ASSEMBLY IS TO BE RoHS COMPLIANT BY FEB 1, 2006.
 Δ . NOT COMPLIANT WITH INSERTION LOSS SPEC. PER. THE PCIe CABLING SPEC.

ENTER DESCRIPTION EC NO: USY2006-0338 DRAWN BY: 2006/05/01 CHECKED BY: 2006/05/04 APPROVED BY: 2006/05/08 CHYK/D00YE	QUALITY SYMBOLS $\blacktriangledown=0$ $\nabla=0$	GENERAL TOLERANCES (UNLESS SPECIFIED)		DIMENSION STYLE MM ONLY		SCALE 1:1	DESIGN UNITS METRIC	THIRD ANGLE PROJECTION
		4 PLACES \pm --- \pm ---	DRAWN BY BREED	DATE 2005/02/02	TITLE I-PASS X4 CABLE ASSEMBLY GEN 1 MOLEX INCORPORATED			
		3 PLACES \pm --- \pm ---	CHECKED BY DDOYE	DATE 2005/02/02				
		2 PLACES \pm 0.13 \pm ---	APPROVED BY DDOYE	DATE 2005/02/02				
1 PLACE \pm 0.25 \pm ---	MATERIAL NO. SEE TABLE							
DRAFT WHERE APPLICABLE MUST REMAIN WITHIN DIMENSIONS		ANGULAR \pm 1/2°		DOCUMENT NO. SD-74546-400		SHEET NO. 1 OF 3		



ENTER DESCRIPTION EC NO: USY2006-0338 DRAWN BY: 2006/05/01 CHECKED BY: 2006/05/04 APPROVED BY: 2006/05/08	QUALITY SYMBOLS ▽=0 ▽=0	GENERAL TOLERANCES (UNLESS SPECIFIED)		DIMENSION STYLE	SCALE	DESIGN UNITS	THIRD ANGLE PROJECTION	
				MM ONLY	1:1	METRIC		
		4 PLACES ± --- ± ---	BREED	2005/02/02	TITLE			
		3 PLACES ± --- ± ---	CHECKED BY	DDOYE	I-PASS X4 CABLE ASSEMBLY GEN 1			
2 PLACES ± 0.13 ± ---	APPROVED BY	DDOYE	MOLEX INCORPORATED					
1 PLACE ± 0.25 ± ---	DATE	2005/02/02	DOCUMENT NO. SD-74546-400					
ANGULAR ±1/2°		MATERIAL NO.	SEE TABLE		SHEET NO. 2 OF 3			
DRAFT WHERE APPLICABLE MUST REMAIN WITHIN DIMENSIONS		THIS DRAWING CONTAINS INFORMATION THAT IS PROPRIETARY TO MOLEX INCORPORATED AND SHOULD NOT BE USED WITHOUT WRITTEN PERMISSION						



CABLE GAUGE	24	26	28
A CABLE DIAMETER	10.54	9.53	8.75
B MINIMUM OUTER RADIUS	42.00	38.00	35.00
C FACEPLATE TO OUTER RADIUS	91.86	87.86	84.86

IPASS™ IS A TRADEMARK OF MOLEX

ENTER DESCRIPTION EC NO: USY2006-0338 DRAWN BY: 2006/05/01 CHECKED BY: 2006/05/04 APPROVED BY: 2006/05/08	QUALITY SYMBOLS ▽=0 ▽=0	GENERAL TOLERANCES (UNLESS SPECIFIED)		DIMENSION STYLE MM ONLY	SCALE 1:1	DESIGN UNITS METRIC	THIRD ANGLE PROJECTION	
		4 PLACES ± --- ± --- 3 PLACES ± --- ± --- 2 PLACES ± 0.13 ± --- 1 PLACE ± 0.25 ± ---	DRAWN BY BREED	DATE 2005/02/02	TITLE I-PASS X4 CABLE ASSEMBLY GEN 1			
		ANGULAR ± 1/2°	CHECKED BY DDOYE	DATE 2005/02/02	MOLEX INCORPORATED			
		DRAFT WHERE APPLICABLE MUST REMAIN WITHIN DIMENSIONS	APPROVED BY DDOYE	DATE 2005/02/02	MATERIAL NO. SEE TABLE	DOCUMENT NO. SD-74546-400	SHEET NO. 3 OF 3	