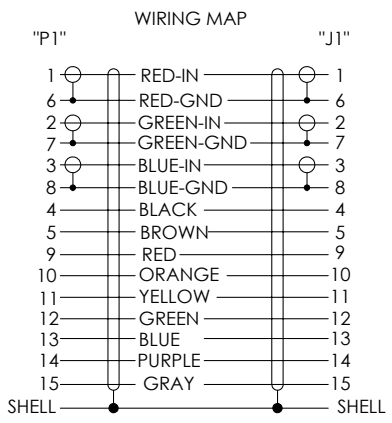
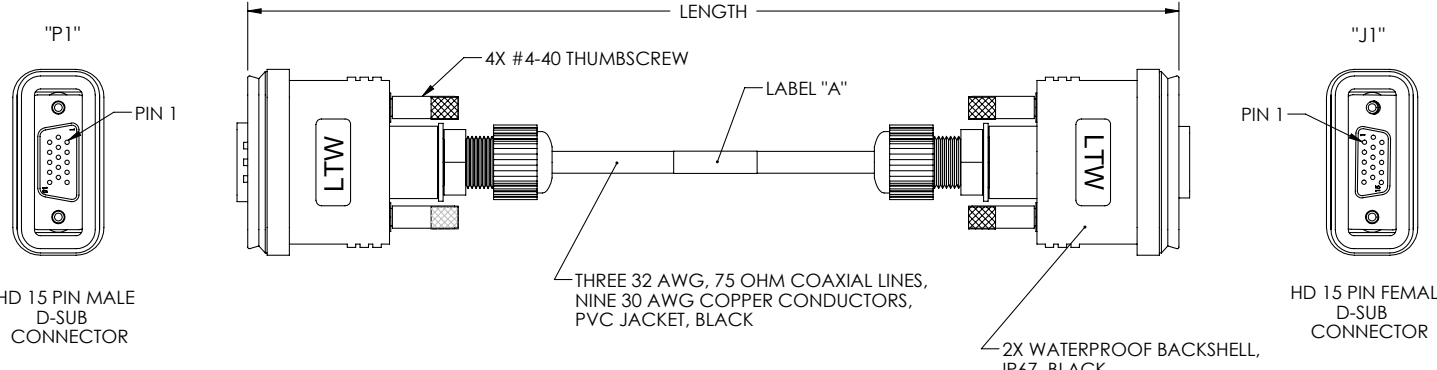


THE INFORMATION CONTAINED IN THIS DRAWING IS THE SOLE PROPERTY OF L-COM, INC. ANY REPRODUCTION IN PART OR WHOLE WITHOUT THE WRITTEN PERMISSION OF L-COM, INC. IS PROHIBITED.

REVISIONS			
REV	DESCRIPTION	DATE	APPROVED
A	INITIAL RELEASE	9/4/08	D.GRIFFIN



MODEL	LENGTH FEET [METERS]	LABEL "A"
WPCTL3VGAMF-10T	10 [3.05]	L-COM PART# WPCTL3VGAMF-10T
WPCTL3VGAMF-15T	15 [4.57]	L-COM PART# WPCTL3VGAMF-15T
WPCTL3VGAMF-25T	25 [7.62]	L-COM PART# WPCTL3VGAMF-25T
WPCTL3VGAMF-50T	50 [15.24]	L-COM PART# WPCTL3VGAMF-50T

NOTES:
 CABLE LABEL "A" TO BE PLACED APPROXIMATELY IN CENTER OF CABLE.
 CABLE ASSEMBLIES SHALL BE TESTED FOR CONTINUITY.
 CABLE ASSEMBLIES SHALL BE INDIVIDUALLY PACKAGED IN A POLYBAG.

UNLESS OTHERWISE SPECIFIED, DIMENSIONS ARE IN INCHES [mm]	APPROVALS	DATE		45 BEECHWOOD DRIVE NORTH ANDOVER, MA 01845
	DRAWN BY D.CASTRO	9/3/08		
OVERALL CABLE LENGTH TOLERANCE: ≤ 12 [305] ≤ 60 [1524] = +2 [51] / -0 > 60 [1524] ≤ 120 [3048] = +4 [102] / -0 > 120 [3048] ≤ 300 [7620] = +6 [152] / -0 > 300 [7620] = +3% / -0%	CHECKED BY D.PARHAM	9/3/08		CATEGORY VIDEO
	APPROVED BY M.SEDLESKI	9/3/08		
ALL OTHER DIMENSIONAL TOLERANCES: X = .3 XX = .15	CONFIGURATION DETAILS OF UNDIMENSIONED FEATURES MAY VARY		PRODUCT DESCRIPTION CA THIN SVGA IP67 HD 15M/F	
PROJECTION 	COLOR VARIATIONS MAY OCCUR	SIZE A	FSCM NO. 43321	DWG. NO. WPCTL3VGAMF-T
		SCALE: NONE	CAD FILE: WPCTL3VGAMF-1.SLDDRW	REV. A
				SHEET 1 OF 1