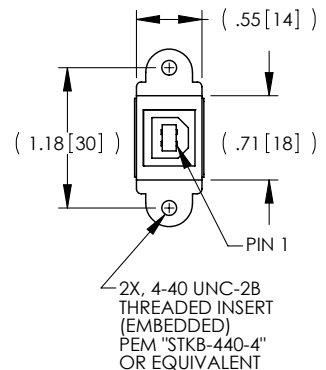
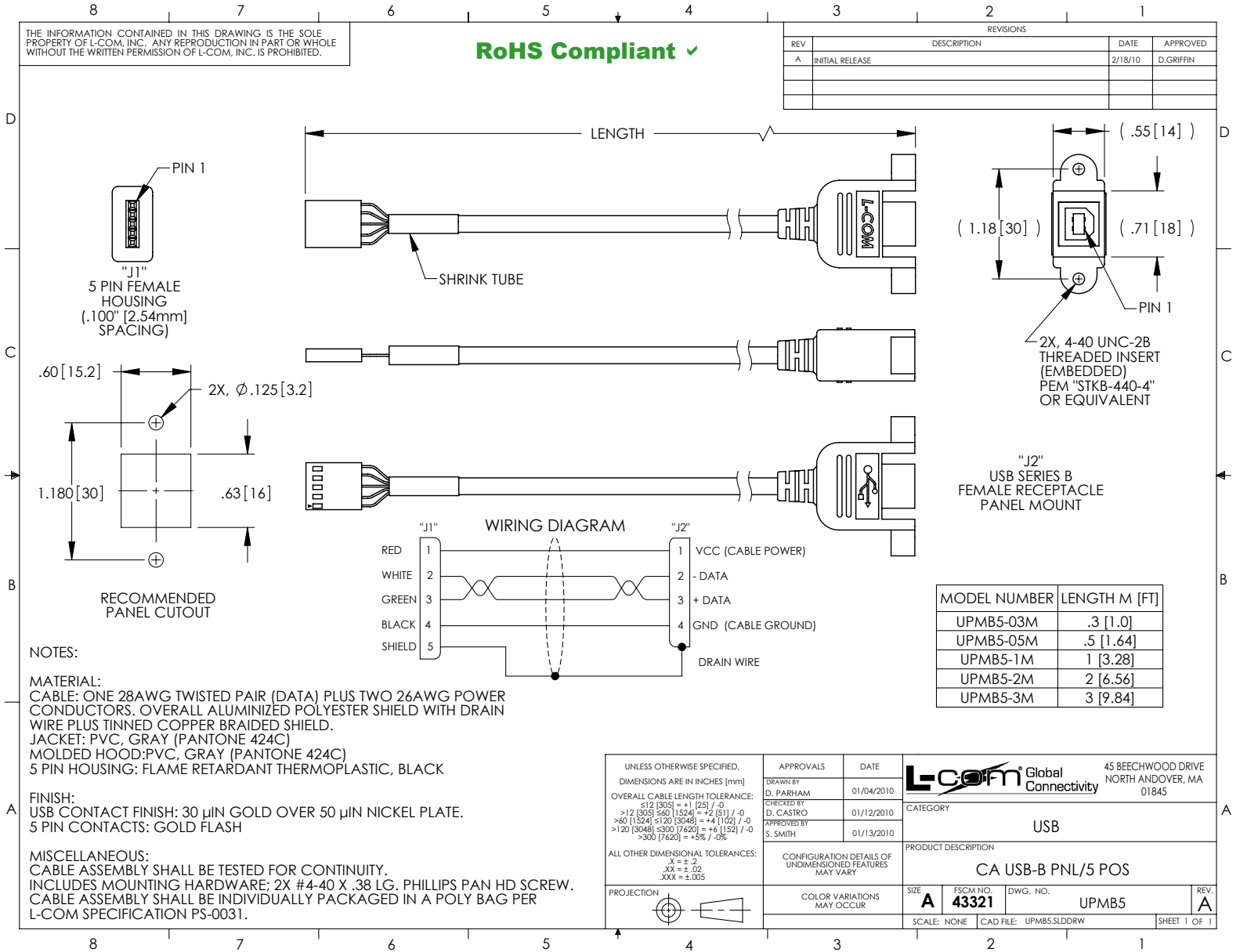


THE INFORMATION CONTAINED IN THIS DRAWING IS THE SOLE PROPERTY OF L-COM, INC. ANY REPRODUCTION IN PART OR WHOLE WITHOUT THE WRITTEN PERMISSION OF L-COM, INC. IS PROHIBITED.

RoHS Compliant ✓

REVISIONS			
REV	DESCRIPTION	DATE	APPROVED
A	INITIAL RELEASE	2/18/10	D.GRIFFIN



"J2"
USB SERIES B
FEMALE RECEPTACLE
PANEL MOUNT

MODEL NUMBER	LENGTH M [FT]
UPMB5-03M	.3 [1.0]
UPMB5-05M	.5 [1.64]
UPMB5-1M	1 [3.28]
UPMB5-2M	2 [6.56]
UPMB5-3M	3 [9.84]

NOTES:
MATERIAL:
 CABLE: ONE 28AWG TWISTED PAIR (DATA) PLUS TWO 26AWG POWER CONDUCTORS. OVERALL ALUMINIZED POLYESTER SHIELD WITH DRAIN WIRE PLUS TINNED COPPER BRAIDED SHIELD.
 JACKET: PVC, GRAY (PANTONE 424C)
 MOLDED HOOD: PVC, GRAY (PANTONE 424C)
 5 PIN HOUSING: FLAME RETARDANT THERMOPLASTIC, BLACK
FINISH:
 USB CONTACT FINISH: 30 μIN GOLD OVER 50 μIN NICKEL PLATE.
 5 PIN CONTACTS: GOLD FLASH
MISCELLANEOUS:
 CABLE ASSEMBLY SHALL BE TESTED FOR CONTINUITY.
 INCLUDES MOUNTING HARDWARE: 2X #4-40 X .38 LG. PHILLIPS PAN HD SCREW.
 CABLE ASSEMBLY SHALL BE INDIVIDUALLY PACKAGED IN A POLY BAG PER L-COM SPECIFICATION PS-0031.

UNLESS OTHERWISE SPECIFIED, DIMENSIONS ARE IN INCHES [mm] OVERALL CABLE LENGTH TOLERANCE: ≤12 [305] = +1 [25] / -0 >12 [305] ≤60 [1524] = +2 [51] / -0 >60 [1524] ≤120 [3048] = +4 [102] / -0 >120 [3048] ≤300 [7620] = +6 [152] / -0 >300 [7620] = +5% / -0% ALL OTHER DIMENSIONAL TOLERANCES: X = ±.2 XX = ±.02 XXX = ±.005	APPROVALS	DATE		45 BEECHWOOD DRIVE NORTH ANDOVER, MA 01845
	DRAWN BY D. PARHAM	01/04/2010		
PROJECTION 	CHECKED BY D. CASTRO	01/12/2010	CATEGORY USB	
	APPROVED BY S. SMITH	01/13/2010	PRODUCT DESCRIPTION CA USB-B PNL/5 POS	
CONFIGURATION DETAILS OF UNDIMENSIONED FEATURES MAY VARY		SIZE A	FSCM NO. 43321	DWG. NO. UPMB5
COLOR VARIATIONS MAY OCCUR		SCALE: NONE	CAD FILE: UPMB5.SLDDRW	REV. A
				SHEET 1 OF 1