



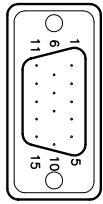
ALL RIGHTS RESERVED. NO PORTION OF THIS PUBLICATION, WHETHER IN WHOLE OR IN PART CAN BE REPRODUCED WITHOUT THE EXPRESS WRITTEN CONSENT OF SPC TECHNOLOGY.

SPC-F005.DWG

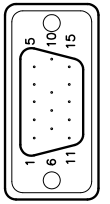
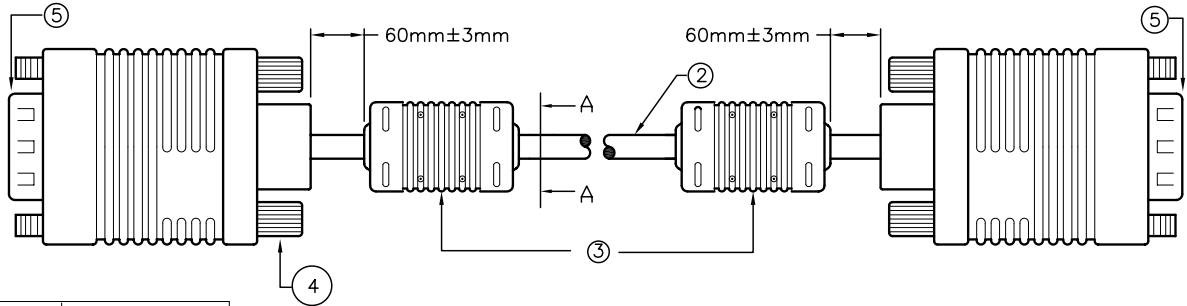
REVISIONS

DCP #	REV	DESCRIPTION	DRAWN	DATE	CHECKD	DATE	APPRVD	DATE
1906	A	RELEASED	EO	04/17/06	TL	05/25/06	HO	05/25/06

DOC. NO. SPC-F005 * Effective: 7/8/02 * DCP No: 1398



HD 15M

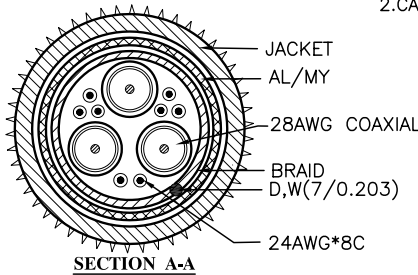


HD 15M

SPC TYPE No.	LENGTH (ft)	LENGTH (mm)
SPC20053	100	30480±101.6
SPC20058	75	22860±76.2
SPC20056	50	15240±76.2
SPC20055	25	7620±76.2
SPC20054	15	4572±50.8
SPC20052	10	3048±50.8
SPC20057	6	1829±25.4

NOTES:

- MOLDED CONNECTOR END REQUIREMENTS:
 A) INNER MOLD USING PE
 B) COPPER FOIL WRAP AND 360° SOLDER TO CONNECTOR
 C) PVC - 45P BLACK
- CABLE:
 {[28AWG(7/0.127)*1C+SPIRAL(38/0.12)]*3C
 +24AWG(7/0.203)*8C+AL/MY+D.W(7/0.203)
 +85 %BD(24/8/0.12)}TIN
 COAXIAL INSULATION: FO-PE. OD=Ø1.6±0.1MM, NATURE
 COAXIAL JACKET: 105°C PVC, OD=Ø2.50±0.1MM
 COLOR: RED, GREEN, BLUE
 INSULATION: SR-PVC, OD=Ø1.15 ± 0.05MM
 COLOR: BLACK, BROWN, WHITE, YELLOW, RED, ORANGE,
 GREEN, GRAY
 JACKET: 80°C PVC, OD=Ø9.00±0.20MM (SAWTOOTH)
 COLOR : UCA BLACK
 MARKER: 2919 3A AWM 80°C 30V VW-1
 LOW VOLTAGE COMPUTER CABLE
- FERRITE CORE: 28.5*17.5*10mm
- THUMBSCREW: MALE 4*40mm NICKEL-PLATING
- CONNECTOR: HD15P MALE SHELL: NICKEL-PLATING, INSULATOR
 COLOR: BLACK, PINS: GOLD PLATED
- CABLE: UL 2919 SAWTOOTH 3+8C



PIN OUTS					
HD 15M	HD 15M	COLOR	HD 15M	HD 15M	COLOR
1	1	RED COAXIAL	10	10	RED
2	2	GREEN COAXIAL	11	11	ORANGE
3	3	BLUE COAXIAL	12	12	YELLOW
4	4	BLACK	13	13	GREEN
5	5	BROWN	14	14	WHITE
6	6	RED GROUND	15	15	GRAY
7	7	GRAY GROUND	Shell	Shell	
8	8	BLUE GROUND			

DISCLAIMER:
 ALL STATEMENTS AND TECHNICAL INFORMATION CONTAINED HEREIN ARE BASED UPON INFORMATION AND/OR TESTS WE BELIEVE TO BE ACCURATE AND RELIABLE. SINCE CONDITIONS OF USE ARE BEYOND OUR CONTROL, THE USER SHALL DETERMINE THE SUITABILITY OF THE PRODUCT FOR THE INTENDED USE AND ASSUME ALL RISK AND LIABILITY WHATSOEVER IN CONNECTION THEREWITH.

TOLERANCES:
 UNLESS OTHERWISE SPECIFIED, DIMENSIONS ARE FOR REFERENCE PURPOSES ONLY.

DRAWN BY:	DATE:
EKLAS ODISH	04/17/06
CHECKED BY:	DATE:
THOMAS LEE	05/25/06
APPROVED BY:	DATE:
HISHAM ODISH	05/25/06

DRAWING TITLE: SVGA Replacement Monitor Cable, HD15 M/M			
SIZE	DWG. NO.	ELECTRONIC FILE	REV
A	TA-737	TA-737.DWG	A
SCALE: NTS	U.O.M.: mm	SHEET: 1 OF 1	