



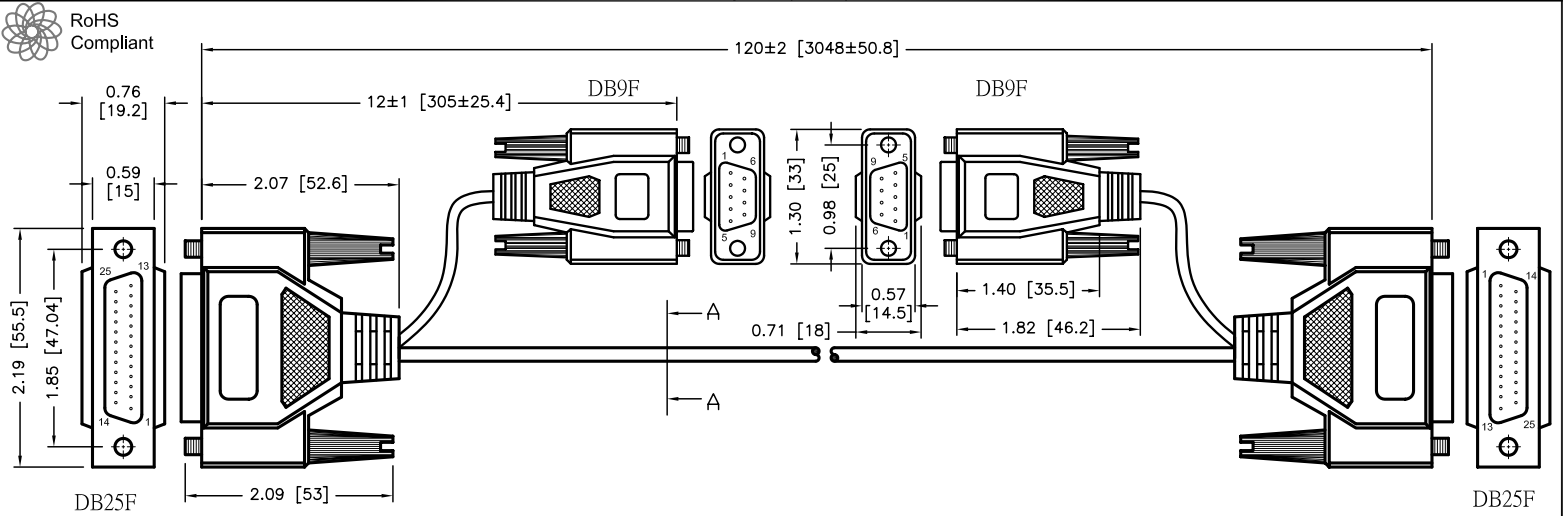
ALL RIGHTS RESERVED. NO PORTION OF THIS PUBLICATION, WHETHER IN WHOLE OR IN PART CAN BE REPRODUCED WITHOUT THE EXPRESS WRITTEN CONSENT OF SPC TECHNOLOGY.

SPC-F005.DWG

REVISIONS

DOC. NO. SPC-F005 * Effective: 7/8/02 * DCP No: 1398

DCP #	REV	DESCRIPTION	DRAWN	DATE	CHECKD	DATE	APPRVD	DATE
1906	A	RELEASED	EO	04/17/06	TL	05/25/06	HO	05/25/06

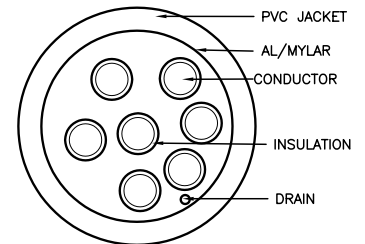


Specifications:

- Molded connector end requirements:
 - Inner mold using PE
 - Aluminum foil wrap to connector
 - PVC - 45P, Platinum gray
- Cable:
 - [28AWG (7/0.12)*7C+AL/MY+DW(7/0.16)]TIN
 - Wire: OD=0.78±0.03MM
 - Color: COLOR CODE
 - Jacket: PVC, OD = 5.0±0.15mm
 - Color: Platinum gray
- Connector: DB9P Female Nickel plating, Insulator Color: Blue
- Connector: DB25P Female Nickel plating, Insulator Color: Blue
- Thumbscrew: Male 4*47mm Nickel plating

PIN OUTS

DB9F	DB25F	DB25F	DB9F	COLOR
3	2	3	2	BLACK
2	3	2	3	BROWN
7	4	5	8	RED
8	5	4	7	ORANGE
6	6	20	4	YELLOW
4	20	6	6	GREEN
5	7	7	5	BLUE



SECTION A-A

DISCLAIMER:
ALL STATEMENTS AND TECHNICAL INFORMATION CONTAINED HEREIN ARE BASED UPON INFORMATION AND/OR TESTS WE BELIEVE TO BE ACCURATE AND RELIABLE. SINCE CONDITIONS OF USE ARE BEYOND OUR CONTROL, THE USER SHALL DETERMINE THE SUITABILITY OF THE PRODUCT FOR THE INTENDED USE AND ASSUME ALL RISK AND LIABILITY WHATSOEVER IN CONNECTION THEREWITH.

TOLERANCES:
UNLESS OTHERWISE SPECIFIED, DIMENSIONS ARE FOR REFERENCE PURPOSES ONLY.

DRAWN BY:	DATE:
EKLAS ODISH	04/17/06
CHECKED BY:	DATE:
THOMAS LEE	05/25/06
APPROVED BY:	DATE:
HISHAM ODISH	05/25/06

DRAWING TITLE: Serial Universal File Transfer, 10 FT, Laplink Cable			
SIZE	DWG. NO.	ELECTRONIC FILE	REV
A	SPC20041	83K3772.DWG	A
SCALE: NTS	U.O.M.: INCHES [mm]	SHEET: 1 OF 1	