



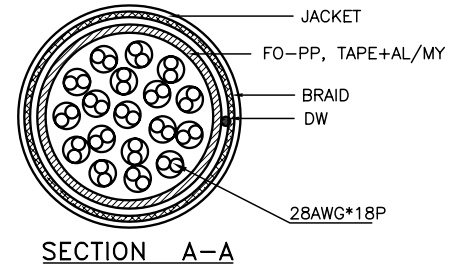
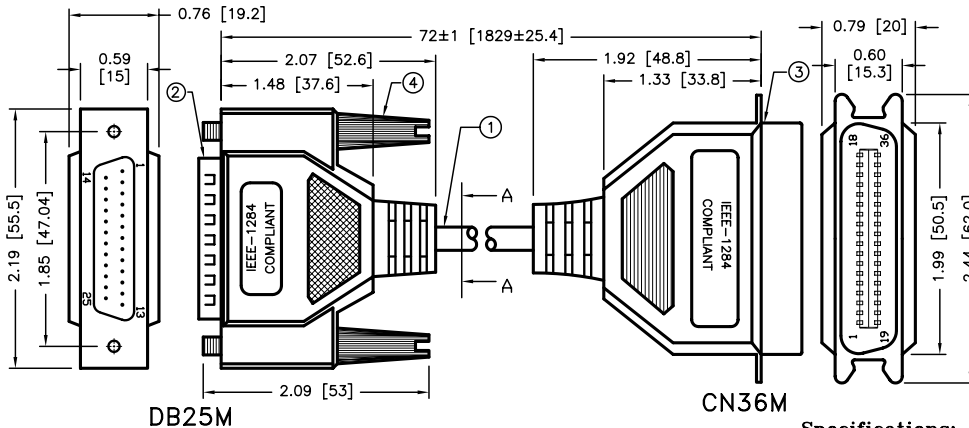
ALL RIGHTS RESERVED. NO PORTION OF THIS PUBLICATION, WHETHER IN WHOLE OR IN PART CAN BE REPRODUCED WITHOUT THE EXPRESS WRITTEN CONSENT OF SPC TECHNOLOGY.

SPC-F005.DWG

REVISIONS

DOC. NO. SPC-F005 • Effective: 7/8/02 • DCP No: 1398

DCP #	REV	DESCRIPTION	DRAWN	DATE	CHECKD	DATE	APPRVD	DATE
1906	A	RELEASED	EO	04/17/06	TL	05/25/06	HO	05/25/06



**Specifications:**

- Molded connector end requirements:
  - A) Inner mold using PE
  - B) Copper foil wrap and 360° solder to connector
  - C) PVC - 45P, Platinum gray
- Cable:
  - [28AWG(7/0.127)\*18P+FO-PP TAPE+AL/MY+DW(7/0.163)+85%BD(24/8/0.12)]TIN
  - INSULATION: PP, OD=Ø0.63±0.05MM
  - COLOR: COLOR CODE
  - Jacket: 80°C PVC, OD = Ø8.0±0.20mm
  - Color: Platinum gray

PIN OUTS								
DB25 MALE	WIRE COLOR	CN36 MALE	DB25 MALE	WIRE COLOR	CN36 MALE	DB25 MALE	WIRE COLOR	CN36 MALE
1	BLACK	1	13	YELLOW/RED	13	22	PURPLE/BLACK	26
2	BROWN	2	14	LIGHT-GREEN	14	22	WHITE/BLACK	27
3	RED	3	16	LIGHT-BLUE	31	24	GRAY/BLACK	28
4	ORANGE	4	15	WHITE/RED	32	23	PINK/WHITE	29
5	YELLOW	5	17	PINK	36	24	ORANGE/WHITE	28
6	GREEN	6	18	BLACK/WHITE	19	24	YELLOW/WHITE	28
7	BLUE	7	19	BROWN/BLACK	20	25	LIGHT-GREEN/BLACK	30
8	PURPLE	8	19	RED/BLACK	21	25	LIGHT-BLUE/BLACK	30
9	WHITE	9	20	ORANGE/BLACK	22	23	RED/WHITE	29
10	GRAY	10	20	YELLOW/BLACK	23	25	PINK/BLACK	30
11	PINK/RED	11	21	GREEN/BLACK	24	N/C	GRAY/RED & GRAY/WHITE	N/C
12	ORANGE/RED	12	21	BLUE/BLACK	25	SHELL		SHELL

ITEM NO	PART NAMES	Q'TY
①	CABLE: IEEE 1284 18P+1	1PCS
②	CONNECTOR: DB25P MALE NICKEL-PLATING, INSULATOR COLOR: BLUE	1PCS
③	CONNECTOR: CN36P MALE NICKEL-PLATING, INSULATOR COLOR: BLUE	1PCS
④	THUMBSCREW: MALE 4*47mm NICKEL-PLATING	2PCS
INSULATION: UPON 1M ohm AND 1M ohm ELECTRIC CONDUCTION:INSIDE 1.5K ohm		

DISCLAIMER:  
ALL STATEMENTS AND TECHNICAL INFORMATION CONTAINED HEREIN ARE BASED UPON INFORMATION AND/OR TESTS WE BELIEVE TO BE ACCURATE AND RELIABLE. SINCE CONDITIONS OF USE ARE BEYOND OUR CONTROL, THE USER SHALL DETERMINE THE SUITABILITY OF THE PRODUCT FOR THE INTENDED USE AND ASSUME ALL RISK AND LIABILITY WHATSOEVER IN CONNECTION THEREWITH.

TOLERANCES:  
UNLESS OTHERWISE SPECIFIED, DIMENSIONS ARE FOR REFERENCE PURPOSES ONLY.

DRAWN BY:	DATE:
EKLAS ODISH	04/17/06
CHECKED BY:	DATE:
THOMAS LEE	05/25/06
APPROVED BY:	DATE:
HISHAM ODISH	05/25/06

DRAWING TITLE: IEEE 1284 Printer Cable, 6 FT, DB25P M/CN36P M			
SIZE	DWG. NO.	ELECTRONIC FILE	REV
A	SPC20029	83K3760.DWG	A
SCALE: NTS	U.O.M.: INCHES [mm]	SHEET: 1 OF 1	