



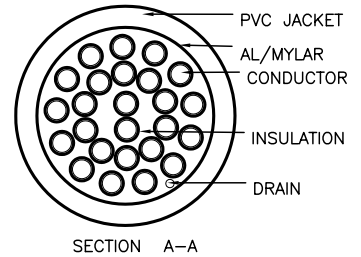
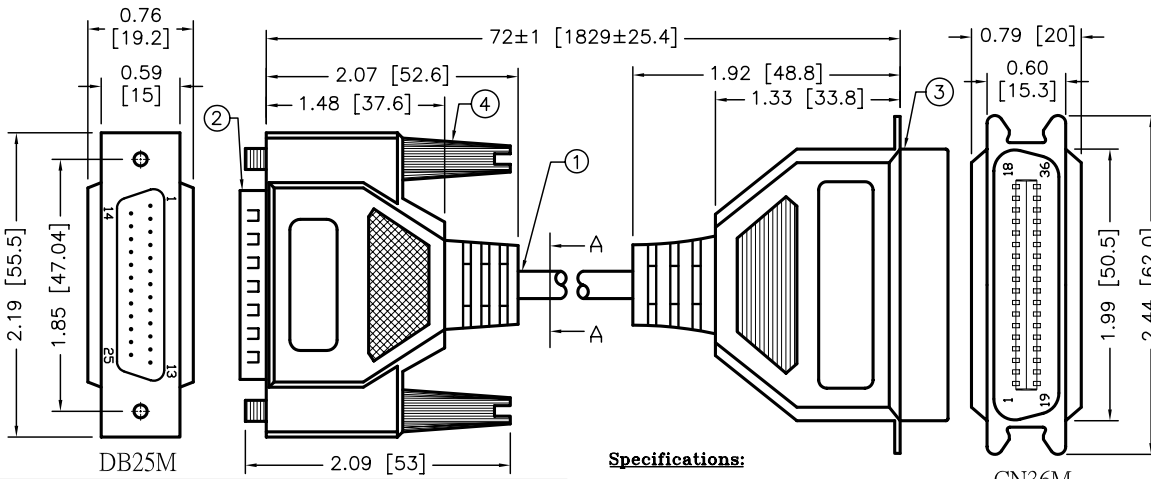
ALL RIGHTS RESERVED. NO PORTION OF THIS PUBLICATION, WHETHER IN WHOLE OR IN PART CAN BE REPRODUCED WITHOUT THE EXPRESS WRITTEN CONSENT OF SPC TECHNOLOGY.

SPC-F005.DWG

REVISIONS

DOC. NO. SPC-F005 * Effective: 7/8/02 * DCP No: 1398

DCP #	REV	DESCRIPTION	DRAWN	DATE	CHECKD	DATE	APPRVD	DATE
1906	A	RELEASED	EO	04/17/06	TL	05/25/06	HO	05/25/06



Specifications:

- Molded connector end requirements:
 - A) Inner mold using PE
 - B) Aluminum foil wrap to connector
 - C) PVC - 45P, Platinum gray
- Cable:
 - 28AWG (7/0.12)*25C+AL/MY
 - Wire: OD=0.78±0.03mm
 - Jacket: PVC OD=7.0±0.15mm
 - Color: Platinum gray

PIN			OUTS		
DB25 MALE	WIRE COLOR	C36 MALE	DB25 MALE	WIRE COLOR	C36 MALE
1	BLACK	1	10	GRAY	10
2	BROWN	2	11	BLACK/WHITE	11
3	RED	3	12	BROWN/WHITE	12
4	ORANGE	4	13	RED./WHITE	13
5	YELLOW	5	14	ORANGE/WHITE	14
6	GREEN	6	15	YELLOW/BLACK	32
7	BLUE	7	16	GREEN/WHITE	31
8	PURPLE	8	17	BLUE/WHITE	36
9	WHITE	9	18	PURPLE/WHITE	16
				Shell	Shell

ITEM NO	PART NAMES	Q'TY
④	THUMBSCREW: MALE 4*47mm NICKEL-PLATING	2PCS
③	CONNECTOR:CN36P MALE NICKEL-PLATING, INSULATOR COLOR:BLUE	1PCS
②	CONNECTOR:DB25P MALE NICKEL-PLATING, INSULATOR COLOR:BLUE	1PCS
①	CABLE:25C+1 28AWG	1PCS

INSULATION: UPON 1M ohm AND 1M ohm ELECTRIC CONDUCTION:INSIDE 1.5K ohm

DISCLAIMER:
ALL STATEMENTS AND TECHNICAL INFORMATION CONTAINED HEREIN ARE BASED UPON INFORMATION AND/OR TESTS WE BELIEVE TO BE ACCURATE AND RELIABLE. SINCE CONDITIONS OF USE ARE BEYOND OUR CONTROL, THE USER SHALL DETERMINE THE SUITABILITY OF THE PRODUCT FOR THE INTENDED USE AND ASSUME ALL RISK AND LIABILITY WHATSOEVER IN CONNECTION THEREWITH.

TOLERANCES:
UNLESS OTHERWISE SPECIFIED, DIMENSIONS ARE FOR REFERENCE PURPOSES ONLY.

DRAWN BY:	DATE:
EKLAS ODISH	04/17/06
CHECKED BY:	DATE:
THOMAS LEE	05/25/06
APPROVED BY:	DATE:
HISHAM ODISH	05/25/06

DRAWING TITLE: 6 FT PRINTER CABLE, DB25 PIN MALE/CN36 PIN MALE			
SIZE	DWG. NO.	ELECTRONIC FILE	REV
A	SPC20025	83K3756.DWG	A
SCALE: NTS	U.O.M.: INCH [mm]	SHEET: 1 OF 1	