



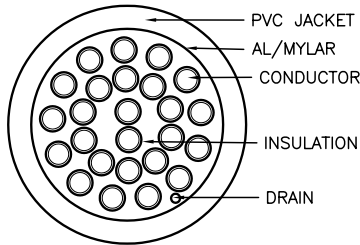
ALL RIGHTS RESERVED. NO PORTION OF THIS PUBLICATION, WHETHER IN WHOLE OR IN PART CAN BE REPRODUCED WITHOUT THE EXPRESS WRITTEN CONSENT OF SPC TECHNOLOGY.

SPC-F005.DWG

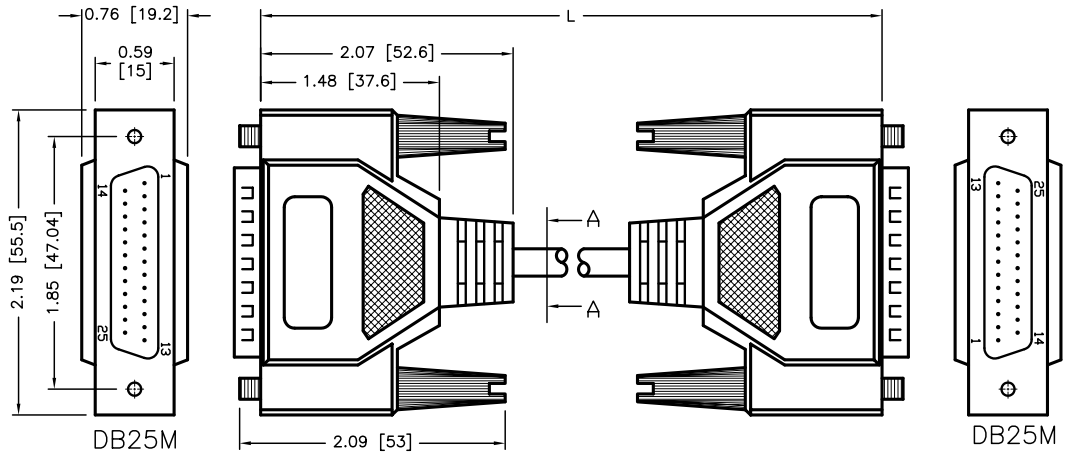
REVISIONS

DOC. NO. SPC-F005 * Effective: 7/8/02 * DCP No: 1398

DCP #	REV	DESCRIPTION	DRAWN	DATE	CHECKD	DATE	APPRVD	DATE
1906	A	RELEASED	EO	04/17/06	TL	05/25/06	HO	05/25/06



SECTION A-A



SPC TYPE No.	LENGTH (L)
SPC19935	72±1 [1829±25.4]
SPC19929	120±2 [3048±50.8]
SPC19932	300±3 [7625±76.2]

PIN OUTS								
DB25 MALE	WIRE COLOR	DB25 MALE	DB25 MALE	WIRE COLOR	DB25 MALE	DB25 MALE	WIRE COLOR	DB25 MALE
1	BLACK	1	10	GRAY	10	19	LIGHT-GREEN	19
2	BROWN	2	11	BLACK/WHITE	11	20	PINK	20
3	RED	3	12	BROWN/WHITE	12	21	PINK/BLACK	21
4	ORANGE	4	13	RED/WHITE	13	22	GRAY/BLACK	22
5	YELLOW	5	14	ORANGE/WHITE	14	23	ORANGE/BLACK	23
6	GREEN	6	15	YELLOW/BLACK	15	24	RED/BLACK	24
7	BLUE	7	16	GREEN/WHITE	16	25	GREEN/BLACK	25
8	PURPLE	8	17	BLUE/WHITE	17	Shell		Shell
9	WHITE	9	18	PURPLE/WHITE	18			

Specifications:

- Molded connector end requirements:
 - Inner mold using PE
 - Aluminum foil wrap to connector
 - PVC - 45P, Platinum gray
- Cable:

[28AWG (7/0.12)*25C+AL/MY+DW(7/0.16)]TIN
 Insulation: PP, OD=ø0.78±0.03MM
 Color: COLOR CODE
 Jacket: PVC, OD = ø7.0±0.15mm
 Color: Platinum gray
- Thumbscrew: Male 4X47mm, Nickel plating
- Connectors: DB25P Pin Male, Nickel plating, Insulator Color: Blue

DISCLAIMER:
 ALL STATEMENTS AND TECHNICAL INFORMATION CONTAINED HEREIN ARE BASED UPON INFORMATION AND/OR TESTS WE BELIEVE TO BE ACCURATE AND RELIABLE. SINCE CONDITIONS OF USE ARE BEYOND OUR CONTROL, THE USER SHALL DETERMINE THE SUITABILITY OF THE PRODUCT FOR THE INTENDED USE AND ASSUME ALL RISK AND LIABILITY WHATSOEVER IN CONNECTION THEREWITH.

TOLERANCES:
 UNLESS OTHERWISE SPECIFIED, DIMENSIONS ARE FOR REFERENCE PURPOSES ONLY.

DRAWN BY:	DATE:
EKLAS ODISH	04/17/06
CHECKED BY:	DATE:
THOMAS LEE	05/25/06
APPROVED BY:	DATE:
HISHAM ODISH	05/25/06

DRAWING TITLE:			
DB25P Male to DB25P Male			
SIZE	DWG. NO.	ELECTRONIC FILE	REV
A	TA-716	TA-716.DWG	A
SCALE: NTS	U.O.M.: INCHES [mm]	SHEET: 1 OF 1	