



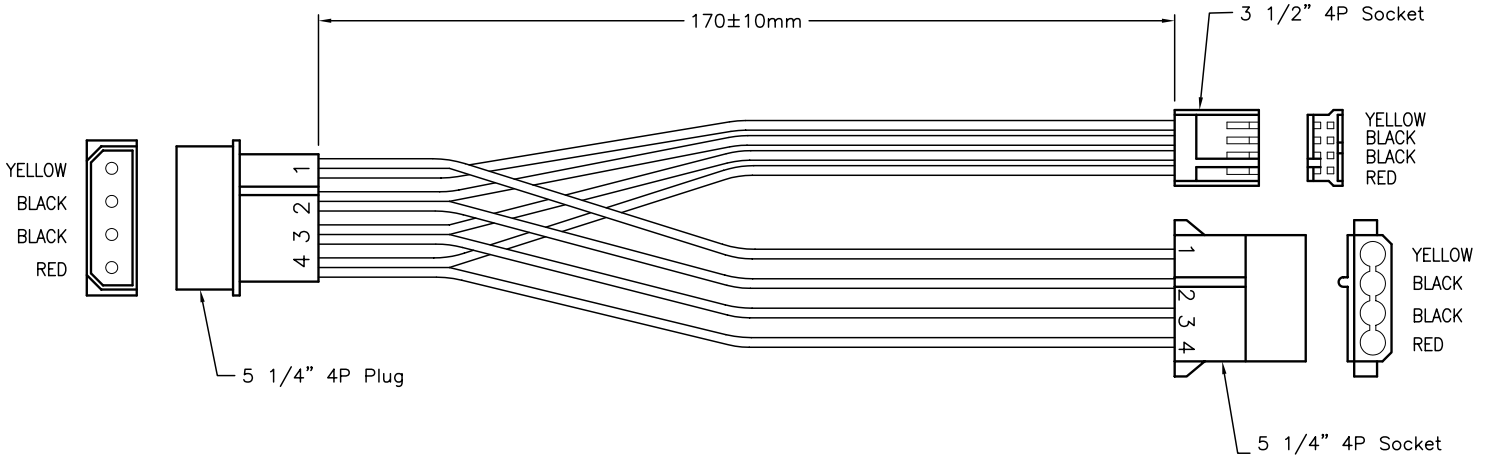
ALL RIGHTS RESERVED. NO PORTION OF THIS PUBLICATION, WHETHER IN WHOLE OR IN PART CAN BE REPRODUCED WITHOUT THE EXPRESS WRITTEN CONSENT OF SPC TECHNOLOGY.

SPC-F005.DWG

REVISIONS

DOC. NO. SPC-F005 * Effective: 7/8/02 * DCP No: 1398

| DCP # | REV | DESCRIPTION | DRAWN | DATE | CHECKD | DATE | APPRVD | DATE |
|-------|-----|-------------|-------|----------|--------|---------|--------|---------|
| 1891 | A | RELEASED | EO | 06/27/06 | SA | 7/25/06 | HO | 7/25/06 |



Material:

Wire:
 4 pcs, 22AWG Stranded Wire, UL 1007
 4 pcs, 18AWG Stranded Wire, UL 1007

Connector:
 1 pcs, 5 1/4", 4 Pin Plug
 1 pcs, 5 1/4", 4 Pin Socket
 2 pcs, 3 1/2", 4 Pin Socket

DISCLAIMER:
 ALL STATEMENTS AND TECHNICAL INFORMATION CONTAINED HEREIN ARE BASED UPON INFORMATION AND/OR TESTS WE BELIEVE TO BE ACCURATE AND RELIABLE. SINCE CONDITIONS OF USE ARE BEYOND OUR CONTROL, THE USER SHALL DETERMINE THE SUITABILITY OF THE PRODUCT FOR THE INTENDED USE AND ASSUME ALL RISK AND LIABILITY WHATSOEVER IN CONNECTION THEREWITH.

TOLERANCES:

Unless Otherwise Specified

.X ±0.2 [0.008]

.XX ±0.12 [0.005]

| | |
|--------------|----------|
| DRAWN BY: | DATE: |
| EKLAS ODISH | 06/27/06 |
| CHECKED BY: | DATE: |
| SAMI ALNADI | 7/25/06 |
| APPROVED BY: | DATE: |
| HISHAM ODISH | 7/25/06 |

| | | | |
|---|---------------------|-----------------|-----|
| DRAWING TITLE: 5.25" /3.5" Floppy Drive Power Supply Cable | | | |
| SIZE | DWG. NO. | ELECTRONIC FILE | REV |
| A | SPC19798 | 84K8560.DWG | A |
| SCALE: NTS | U.O.M.: mm [INCHES] | SHEET: 1 OF 1 | |