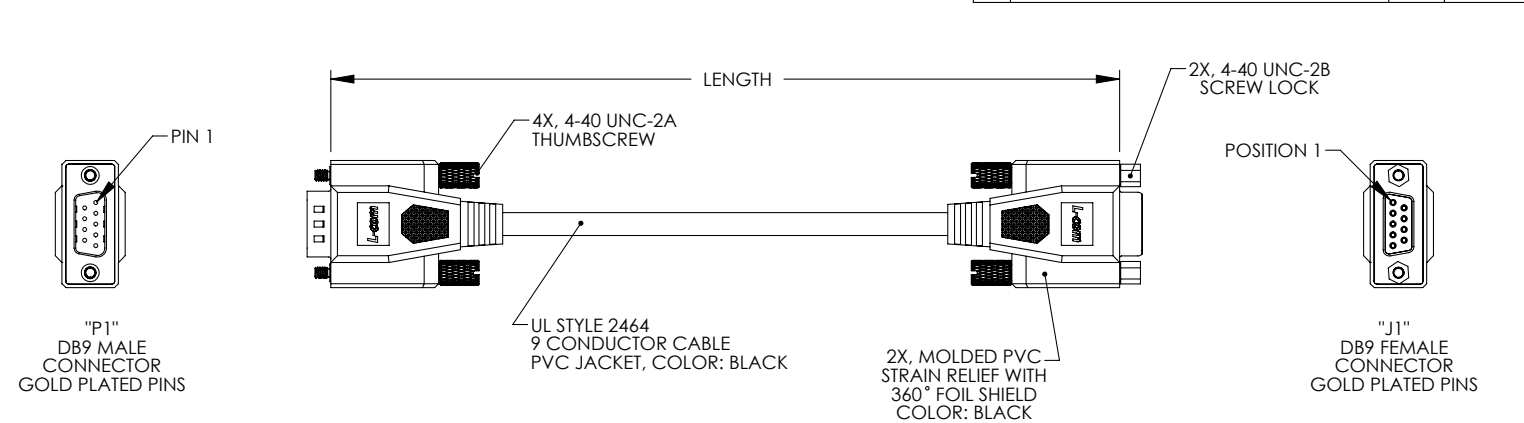


THE INFORMATION CONTAINED IN THIS DRAWING IS THE SOLE PROPERTY OF L-COM, INC. ANY REPRODUCTION IN PART OR WHOLE WITHOUT THE WRITTEN PERMISSION OF L-COM, INC. IS PROHIBITED.

REVISIONS			
REV	DESCRIPTION	DATE	APPROVED
A	CN RELEASE	2/25/08	D.GRIFFIN
B	ECN 4474: ADDED 1.0 FT LENGTH, UPDATED FORMAT, CHANGED NOTE, RoHS	1/7/10	D. CASTRO



WIRING MAP		
"P1"	COLOR	"J1"
1	BLACK	1
2	GRAY	2
3	RED	3
4	GREEN	4
5	BROWN	5
6	BLUE	6
7	ORANGE	7
8	YELLOW	8
9	PURPLE	9
SHELL	DRAIN WIRE	SHELL

PART NUMBER	LENGTH	
	FEET	METERS
CSMNB9MF-1	1.0	0.31
CSMNB9MF-2.5	2.5	.76
CSMNB9MF-5	5.0	1.52
CSMNB9MF-10	10.0	3.05
CSMNB9MF-15	15.0	4.57
CSMNB9MF-25	25.0	7.62
CSMNB9MF-50	50.0	15.24

**RoHS Compliant** ✓

- NOTES:**
- CABLE ASSEMBLY SHALL BE TESTED FOR CONTINUITY.
  - CABLE ASSEMBLY SHALL BE INDIVIDUALLY PACKAGED IN ACCORDANCE WITH L-COM PACKAGING SPEC. PS-0031.

UNLESS OTHERWISE SPECIFIED, DIMENSIONS ARE IN INCHES [mm] OVERALL CABLE LENGTH TOLERANCE: $\leq 12$ [305] = +1 [25] / -0 $> 12$ [305] $\leq 60$ [1524] = +2 [51] / -0 $> 60$ [1524] $\leq 120$ [3048] = +4 [102] / -0 $> 120$ [3048] $\leq 300$ [7620] = +6 [152] / -0 $> 300$ [7620] = +5% / -0% ALL OTHER DIMENSIONAL TOLERANCES: X = ±.2 XX = ±.02 XXX = ±.005	APPROVALS DRAWN BY: D.FRISIELLO CHECKED BY: D.FORTIN APPROVED BY: S.SMITH	DATE 2/21/08 2/21/08 2/21/08	45 BEECHWOOD DRIVE NORTH ANDOVER, MA 01845
	CONFIGURATION DETAILS OF UNDIMENSIONED FEATURES MAY VARY	CATEGORY <b>DATA CABLING</b>	
PROJECTION 	COLOR VARIATIONS MAY OCCUR CSMNB9MF01	SIZE <b>A</b> FSCM NO. <b>43321</b> DWG. NO. CSMNB9MF SCALE: NONE CAD FILE: CSMNB9MF.3LDDRW	REV. <b>B</b> SHEET 1 OF 1