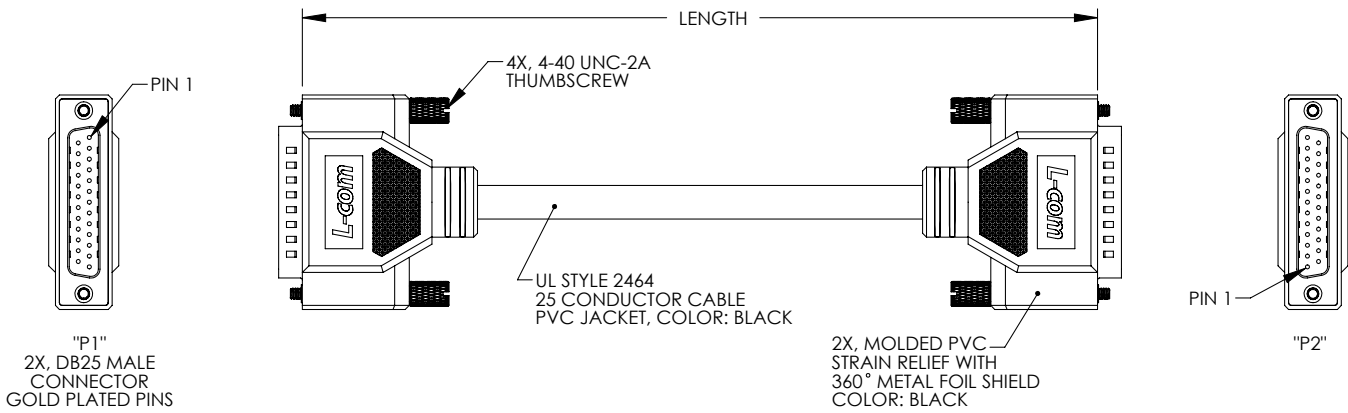


THE INFORMATION CONTAINED IN THIS DRAWING IS THE SOLE PROPERTY OF L-COM, INC. ANY REPRODUCTION IN PART OR WHOLE WITHOUT THE WRITTEN PERMISSION OF L-COM, INC. IS PROHIBITED.

REVISIONS			
REV	DESCRIPTION	DATE	APPROVED
A	CN RELEASE	2/25/08	D.GRIFFIN
B	ECN 4474: ADDED 1.0 FT LENGTH, UPDATED FORMAT, CHG'D NOTES, RoHS	1/7/10	D. CASTRO



WIRING MAP					
"P1"	COLOR	"P2"	"P1"	COLOR	"P2"
1	BLACK	1	14	BROWN/WHITE	14
2	BROWN	2	15	RED/WHITE	15
3	RED	3	16	ORANGE/WHITE	16
4	ORANGE	4	17	GREEN/WHITE	17
5	YELLOW	5	18	BLUE/WHITE	18
6	GREEN	6	19	PURPLE/WHITE	19
7	BLUE	7	20	RED/BLACK	20
8	PURPLE	8	21	ORANGE/BLACK	21
9	GRAY	9	22	YELLOW/BLACK	22
10	WHITE	10	23	GREEN/BLACK	23
11	PINK	11	24	GRAY/BLACK	24
12	LIGHT GREEN	12	25	PINK/BLACK	25
13	BLACK/WHITE	13	SHELL	DRAIN WIRE	SHELL

PART NUMBER	LENGTH	
	FEET	METERS
CSMNB25MM-1	1.0	0.31
CSMNB25MM-2.5	2.5	.76
CSMNB25MM-5	5.0	1.52
CSMNB25MM-10	10.0	3.05
CSMNB25MM-15	15.0	4.57
CSMNB25MM-25	25.0	7.62
CSMNB25MM-50	50.0	15.24

- NOTES:**
- CABLE ASSEMBLY SHALL BE TESTED FOR CONTINUITY.
 - CABLE ASSEMBLY SHALL BE INDIVIDUALLY PACKAGED IN ACCORDANCE WITH L-COM PACKAGING SPEC. PS-0031.

RoHS Compliant ✓

UNLESS OTHERWISE SPECIFIED, DIMENSIONS ARE IN INCHES [mm]	APPROVALS	DATE	 45 BEECHWOOD DRIVE NORTH ANDOVER, MA 01845
OVERALL CABLE LENGTH TOLERANCE: ≤ 12 [305] = +1 [25] / -0 >12 [305] ≤ 60 [1524] = +2 [51] / -0 >60 [1524] ≤ 120 [3048] = +4 [102] / -0 >120 [3048] ≤ 300 [7620] = +6 [152] / -0 >300 [7620] = +5% / -0%	DRAWN BY D.FRISIELLO 2/22/08 CHECKED BY D.FORTIN 2/22/08 APPROVED BY S.SMITH 2/22/08	CATEGORY DATA CABLING	
ALL OTHER DIMENSIONAL TOLERANCES: $X = \pm .2$ $XX = \pm .02$ $XXX = \pm .005$	CONFIGURATION DETAILS OF UNDIMENSIONED FEATURES MAY VARY	PRODUCT DESCRIPTION DLX MOLDED CBL, DB25M/M, BLACK	REV. B
PROJECTION	COLOR VARIATIONS MAY OCCUR CSMNB#FS01	SIZE A FSCM NO. 43321 DWG. NO. CSMNB25MM SCALE: NONE CAD FILE: CSMNB25MM.SLDDRW	SHEET 1 OF 1