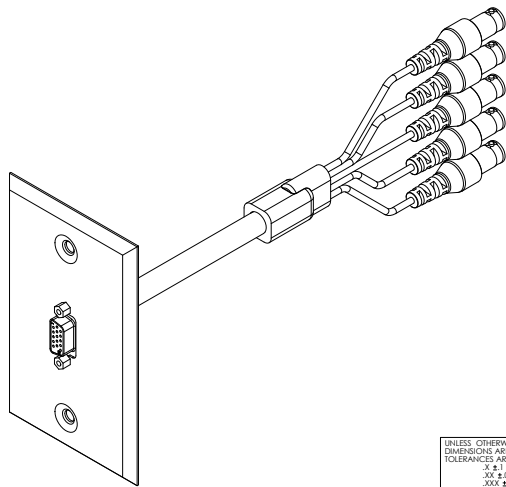
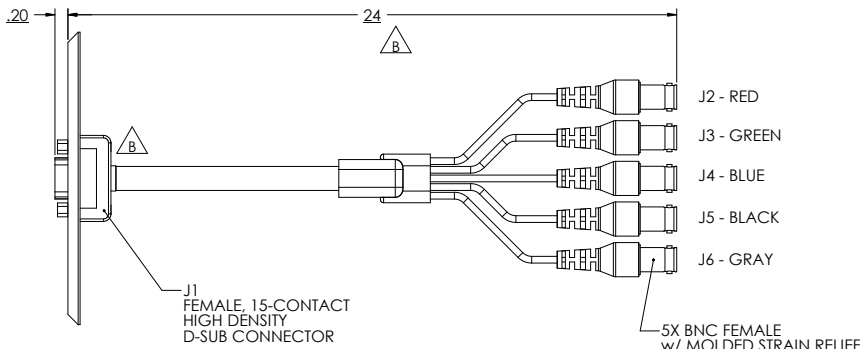
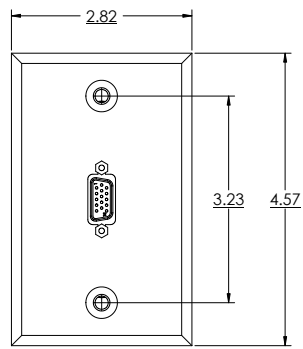


THE INFORMATION CONTAINED IN THIS DRAWING IS THE SOLE PROPERTY OF L-COM, INC. ANY REPRODUCTIONS IN PART OR WHOLE WITHOUT THE WRITTEN PERMISSION OF L-COM, INC. IS PROHIBITED.

REVISIONS			
REV	DESCRIPTION	DATE	APPROVED
A	APPROVED FOR PRODUCTION BY: RUSKAYE	02/25/04	B. MAZEJKA
B	FOR 15X DENSITY TERMINATIONS, CONNECTED OVERALL DIM.	4/29/04	DFP



WIRE TABLE	
J1	BNC JACKS
PIN 1	J2
PIN 2	J3
PIN 3	J4
PIN 4	N/C
PIN 5	SHIELD
PIN 6	SHIELD
PIN 7	SHIELD
PIN 8	SHIELD
PIN 9	N/C
PIN 10	SHIELD
PIN 11	N/C
PIN 12	N/C
PIN 13	J6
PIN 14	J5
PIN 15	N/C
SHELL	SHIELD

- NOTES:
- WALL PLATE MATERIAL: STAINLESS STEEL
 - SPECIFICATIONS
 - CABLE:
 - U.L. STYLE 2919
 - CONDUCTORS: FIVE MINIATURE 75Ω COAXIAL
 - SHIELDING: ALUMINIZED MYLAR AND COPPER BRAID
 - JACKET: GRAY PVC
 - D-SUB CONNECTOR
 - INSULATOR: UL94V-0 THERMOPLASTIC
 - CONTACTS: GOLD PLATED
 - SHELL: TIN FINISH
 - HOOD: GRAY PVC
 - HARDWARE: 4-40UNC
 - BNC
 - SHELL: NICKEL PLATED BRASS
 - CONTACTS: GOLD PLATED BRASS
 - INSULATOR: DELRIN
 - CHARACTERISTIC IMPEDANCE: 75Ω
 - STRAIN RELIEF: GRAY PVC
 - ALL BNC SHIELDS ELECTRICALLY TIED TO HDB15F SHELL.

UNLESS OTHERWISE SPECIFIED
DIMENSIONS ARE IN INCHES
TOLERANCES ARE:
X .1
XX .25
XXX .5000
CABLE LENGTH TOLERANCE
-300' ±5% +300' ±2%

APPROVALS	DATE
DRAWN BY B. MAZEJKA	09/25/2003
CHECKED BY D. PARHAM	09/26/2003
APPROVED BY C. GANONCOWICK	09/26/2003

L-com
45 BEECHWOOD DRIVE
NORTH ANDOVER, MA
01845

PRODUCT DESCRIPTION:
VIDEO JUMPER CABLE ASSEMBLY w/ WALL PLATE

DRAWING TITLE:
OUTLINE DRAWING

SIZE: B DWG. NO.: 43321 REV: B

CONFIGURATION DETAILS OF UNDIMENSIONED FEATURES MAY VARY

SCALE: 1:1.5 CAD FILE: WPHD15CA-OD1.SLDRAW SHEET 1 OF 1