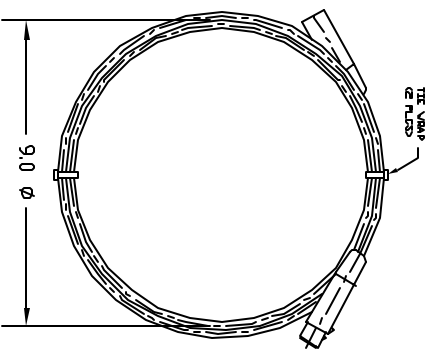
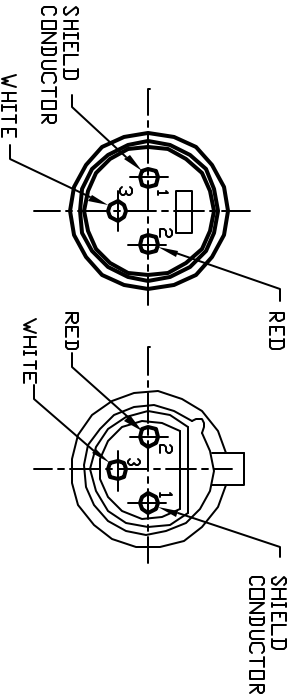
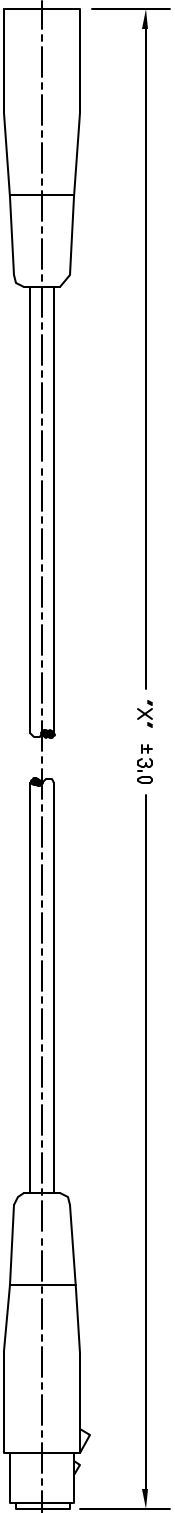


ALL RIGHTS RESERVED. NO PORTION OF THIS PUBLICATION, WHETHER IN WHOLE OR IN PART CAN BE REPRODUCED WITHOUT THE EXPRESS WRITTEN CONSENT OF SPC TECHNOLOGY.

SPC-F005.DWG

REVISONS		DOC. NO. SPC-F005	* Effective 7/8/02	* DCP No. 1398	
DCP #	REV	DESCRIPTION	DRAWN DATE	CHECKD DATE	APPRVD DATE
XX	XX	XXXX	19-09-08	XXXX	19-09-08
XXXX	XXXX		19-09-08	XXXX	19-09-08



NOTES:  
1) COIL SHALL BE ROUND

- NOTES:
1. PINS MUST BE FLUXED PRIOR TO SOLDERING.
  2. SOLDER SHALL BE 60/40, TIN/LEAD.
  3. SOLDER JOINTS SHALL BE SMOOTH.
  4. SOLDER JOINTS SHALL BE COVERED WITH INSULATING MATERIAL.
  5. INSERTS SHALL BE FREE OF BURN MARKS.
  6. CABLE ASSEMBLIES SHALL CONFORM TO SPECIFICATION SRI120A.



DISCLAIMER:  
ALL STATEMENTS AND TECHNICAL INFORMATION CONTAINED HEREIN ARE BASED UPON INFORMATION AND/OR TESTS WE BELIEVE TO BE ACCURATE AND RELIABLE. SINCE CONDITIONS OF USE ARE BEYOND OUR CONTROL, THE USER SHALL DETERMINE THE SUITABILITY OF THE PRODUCT FOR THE INTENDED USE AND ASSUME ALL RISK AND LIABILITY WHATSOEVER IN CONNECTION THEREWITH.

TOLERANCES:  
UNLESS OTHERWISE SPECIFIED, DIMENSIONS ARE FOR REFERENCE PURPOSES ONLY.

DRAWN BY:	DATE:
XXXX	19-09-08
CHECKED BY:	DATE:
XXXX	19-09-08
APPROVED BY:	DATE:
XXXX	19-09-08

DRAWING TITLE:		MICROPHONE CABLE	
SIZE	DWG. NO.	ELECTRONIC FILE	REV
A	SPC21331	11M0526	XX
SCALE:	NTS	U.O.M.:	INCHES [MM]
		SHEET:	1 OF