



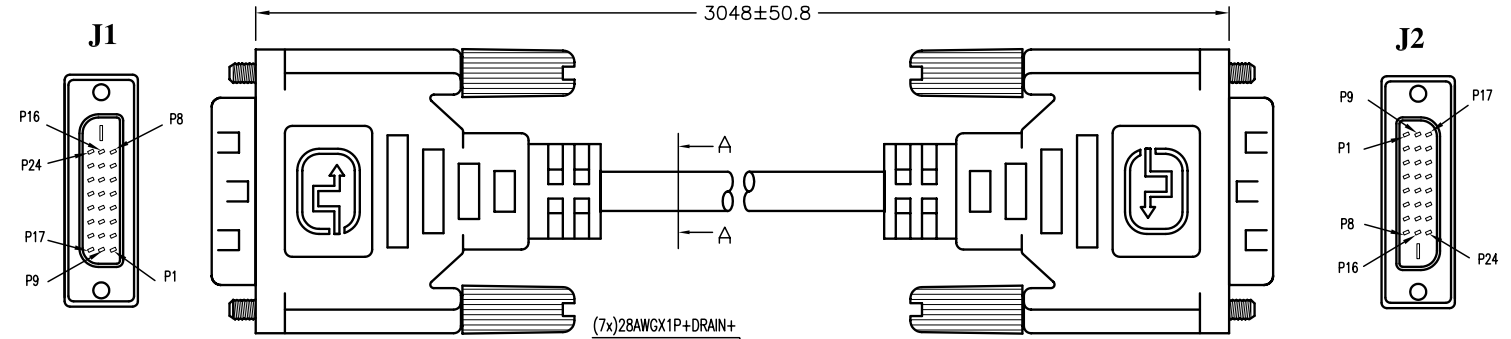
ALL RIGHTS RESERVED. NO PORTION OF THIS PUBLICATION, WHETHER IN WHOLE OR IN PART CAN BE REPRODUCED WITHOUT THE EXPRESS WRITTEN CONSENT OF SPC TECHNOLOGY.

SPC-F005.DWG

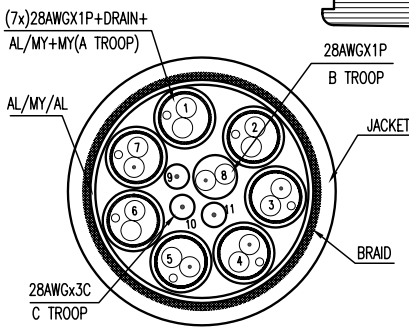
REVISIONS

DOC. NO. SPC-F005 * Effective: 7/8/02 * DCP No: 1398

DCP #	REV	DESCRIPTION	DRAWN	DATE	CHECKD	DATE	APPRVD	DATE
1906	A	RELEASED	EO	04/17/06	TL	05/25/06	HO	05/25/06



J1	GROPE	COLOR	J2	J1	GROPE	COLOR	J2
1		RED	1	14	TROOP C(9)	VIOLET	14
2	TROOP A(1)	WHITE	2	15	TROOP C(10)	WHITE	15
3		DRAIN	3	16	TROOP C(11)	RED	16
4		GREEN	4	17		GRAY	17
5	TROOP A(2)	WHITE	5	18	TROOP A(5)	BLACK	18
3		DRAIN	3	19		DRAIN	19
6	TROOP B(8)	ORANGE	6	20		PINK	20
7		YELLOW	7	21	TROOP A(6)	ORANGE	21
9		BROWN	9	19		DRAIN	19
10	TROOP A(3)	WHITE	10	22	TROOP A(7)	L/T GREEN	23
11		DRAIN	11	23		VIOLET	24
12		BLUE	12	24		BRAID	SHELL
13	TROOP A(4)	WHITE	13				
11		DRAIN	11				



NOTE:
 1- CABLE: [28AWG(7/0.127)x1P+DRAIN(7/0.127)+AL/MY+MY]x7C+28AWG(7/0.127)x1P+28AWG(7/0.127)x3C+AL/MY+AL+85%(24/8/0.12)BRAID]TIN
 INSULATION(A): Foam-PE, OD=ø0.95±0.05mm, UL-1598, COLOR: SEE WIRE LIST
 INSULATION(B): HD-PE, OD=ø0.70±0.05mm, UL1598, COLOR: SEE WIRE LIST
 INSULATION(C): HD-PE, OD=ø0.70±0.05mm, UL1598, COLOR: SEE WIRE LIST
 JACKET: PVC, OD=ø8.6±0.15mm, UL20276, COLOR: BLACK
 PRINT(FOR PI): "PAN-INTERNATIONAL 20276 E87647 9J AWM 80°C 30V VW-1"
 2- 100% TEST OPEN, SHORT, MISWIRE
 3- SPECIFICATION SAME AS DIGITAL VISUAL INTERFACE VER:1.0

DISCLAIMER:
 ALL STATEMENTS AND TECHNICAL INFORMATION CONTAINED HEREIN ARE BASED UPON INFORMATION AND/OR TESTS WE BELIEVE TO BE ACCURATE AND RELIABLE. SINCE CONDITIONS OF USE ARE BEYOND OUR CONTROL, THE USER SHALL DETERMINE THE SUITABILITY OF THE PRODUCT FOR THE INTENDED USE AND ASSUME ALL RISK AND LIABILITY WHATSOEVER IN CONNECTION THEREWITH.

TOLERANCES:
 UNLESS OTHERWISE SPECIFIED, DIMENSIONS ARE FOR REFERENCE PURPOSES ONLY.

DRAWN BY:	DATE:
EKLAS ODISH	04/17/06
CHECKED BY:	DATE:
THOMAS LEE	05/25/06
APPROVED BY:	DATE:
HISHAM ODISH	05/25/06

DRAWING TITLE: DVI Cable, 10FT Dual Link, M/M, RoHS			
SIZE	DWG. NO.	ELECTRONIC FILE	REV
A	SPC19949	83K3692.DWG	A
SCALE: NTS	U.O.M.: Millimeters	SHEET: 1 OF 1	