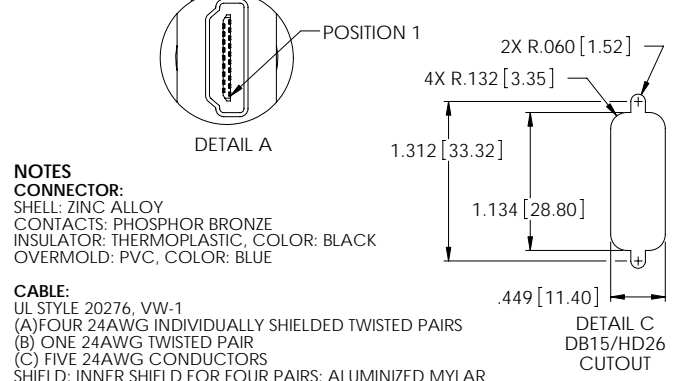
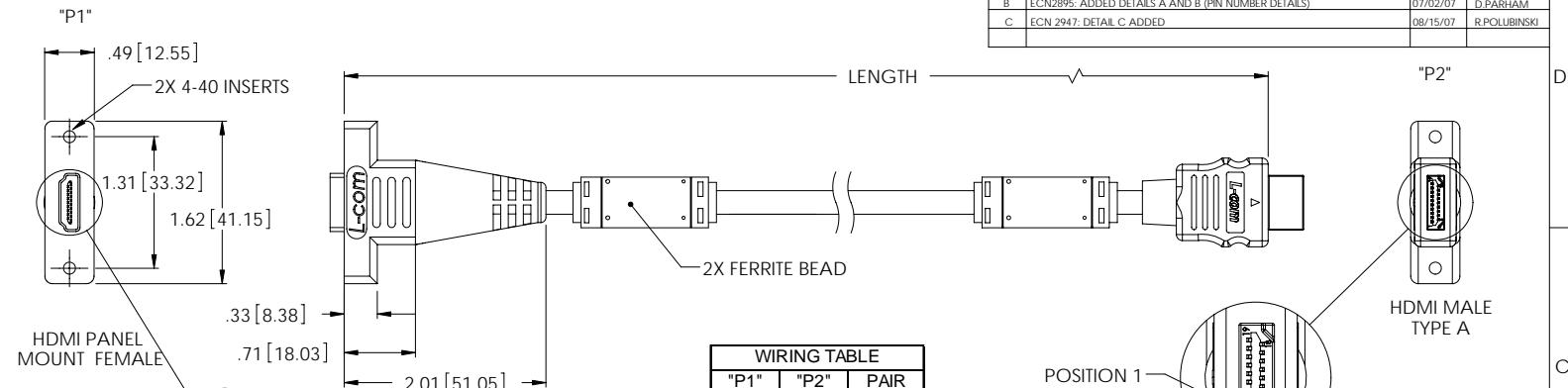
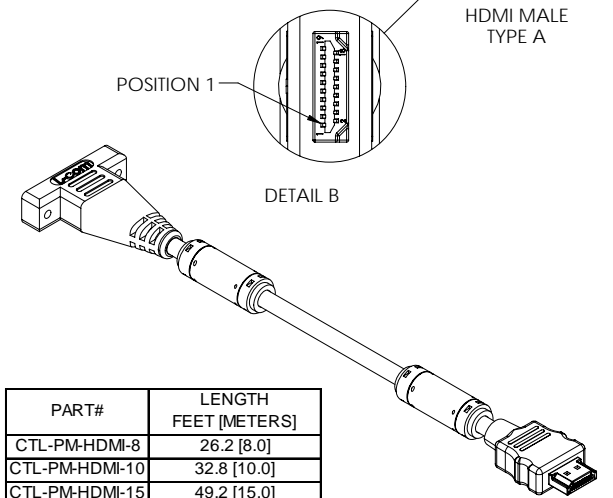


THE INFORMATION CONTAINED IN THIS DRAWING IS THE SOLE PROPERTY OF L-COM, INC. ANY REPRODUCTION IN PART OR WHOLE WITHOUT THE WRITTEN PERMISSION OF L-COM, INC. IS PROHIBITED.

REVISIONS			
REV	DESCRIPTION	DATE	APPROVED
A	INITIAL RELEASE	03/12/07	C.BERUBE
B	ECN2895: ADDED DETAILS A AND B (PIN NUMBER DETAILS)	07/02/07	D.PARHAM
C	ECN 2947: DETAIL C ADDED	08/15/07	R.POLUBINSKI



WIRING TABLE		
"P1"	"P2"	PAIR
1	1	1
3	3	
2	2	SHIELD
4	4	2
6	6	
5	5	SHIELD
7	7	
9	9	3
8	8	SHIELD
10	10	
12	12	4
11	11	SHIELD
13	13	
14	14	
15	15	
16	16	
17	17	
18	18	5
19	19	
SHELL	SHELL	SHIELD



PART#	LENGTH FEET [METERS]
CTL-PM-HDMI-8	26.2 [8.0]
CTL-PM-HDMI-10	32.8 [10.0]
CTL-PM-HDMI-15	49.2 [15.0]
CTL-PM-HDMI-25	82.0 [25.0]
CTL-PM-HDMI-30	98.4 [30.0]
CTL-PM-HDMI-45	147.6 [45.0]

NOTES
CONNECTOR:
 SHELL: ZINC ALLOY
 CONTACTS: PHOSPHOR BRONZE
 INSULATOR: THERMOPLASTIC, COLOR: BLACK
 OVERMOLD: PVC, COLOR: BLUE

CABLE:
 UL STYLE 20276, VW-1
 (A) FOUR 24AWG INDIVIDUALLY SHIELDED TWISTED PAIRS
 (B) ONE 24AWG TWISTED PAIR
 (C) FIVE 24AWG CONDUCTORS
 SHIELD: INNER SHIELD FOR FOUR PAIRS: ALUMINIZED MYLAR WITH DRAIN WIRE.
 OVERALL SHIELD: ALUMINIZED MYLAR PLUS BRAIDED TINNED COPPER WITH DRAIN WIRE.
 OUTER JACKET PVC, COLOR: BLACK

FINISH:
 CONNECTOR
 SHELL: GOLD OVER NICKEL
 CONTACTS: GOLD OVER NICKEL

ENVIRONMENTAL:
 OPERATING TEMPERATURE -20°C TO 80°C

MISCELLANEOUS:
 CABLE ASSEMBLIES SHALL BE TESTED FOR CONTINUITY
 CABLE ASSEMBLIES SHALL BE PACKAGED INDIVIDUALLY IN A POLY BAG
 CABLE ASSEMBLIES TO BE ROHS COMPLIANT

DIMENSIONS ARE IN INCHES [mm]
 UNLESS OTHERWISE SPECIFIED, TOLERANCES TO BE:
 .X ± .1 [2.5] ANGLES ±2°
 .XX ± .05 [1.3]
 .XXX ± .005 [0.13]

OVERALL CABLE LENGTH TOL:
 ≤ 60 [1524] +3 [76.2] / -0
 > 60 [1524] +5% / -0%

PROJ

APPROVALS

DRAWN BY C.BERUBE	DATE 01/26/07
CHECKED BY J.ROBERTS	DATE 03/12/07
APPROVED BY J.ROBERTS	DATE 03/12/07

CONFIGURATION DETAILS OF UNDIMENSIONED FEATURES MAY VARY

L-com COMMUNITY PRODUCTS

45 BEECHWOOD DRIVE
NORTH ANDOVER, MA
01845

CATEGORY: VIDEO

PRODUCT DESCRIPTION: HDMI MALE TO FEMALE PANEL MOUNT CABLE (24AWG)

SIZE A	FSCM NO. 43321	DWG. NO. CTL-PM-HDMI	REV. C
------------------	--------------------------	-------------------------	------------------

SCALE: NONE CAD FILE: CTL-PM-HDMI.SLDDRW SHEET 1 OF 1