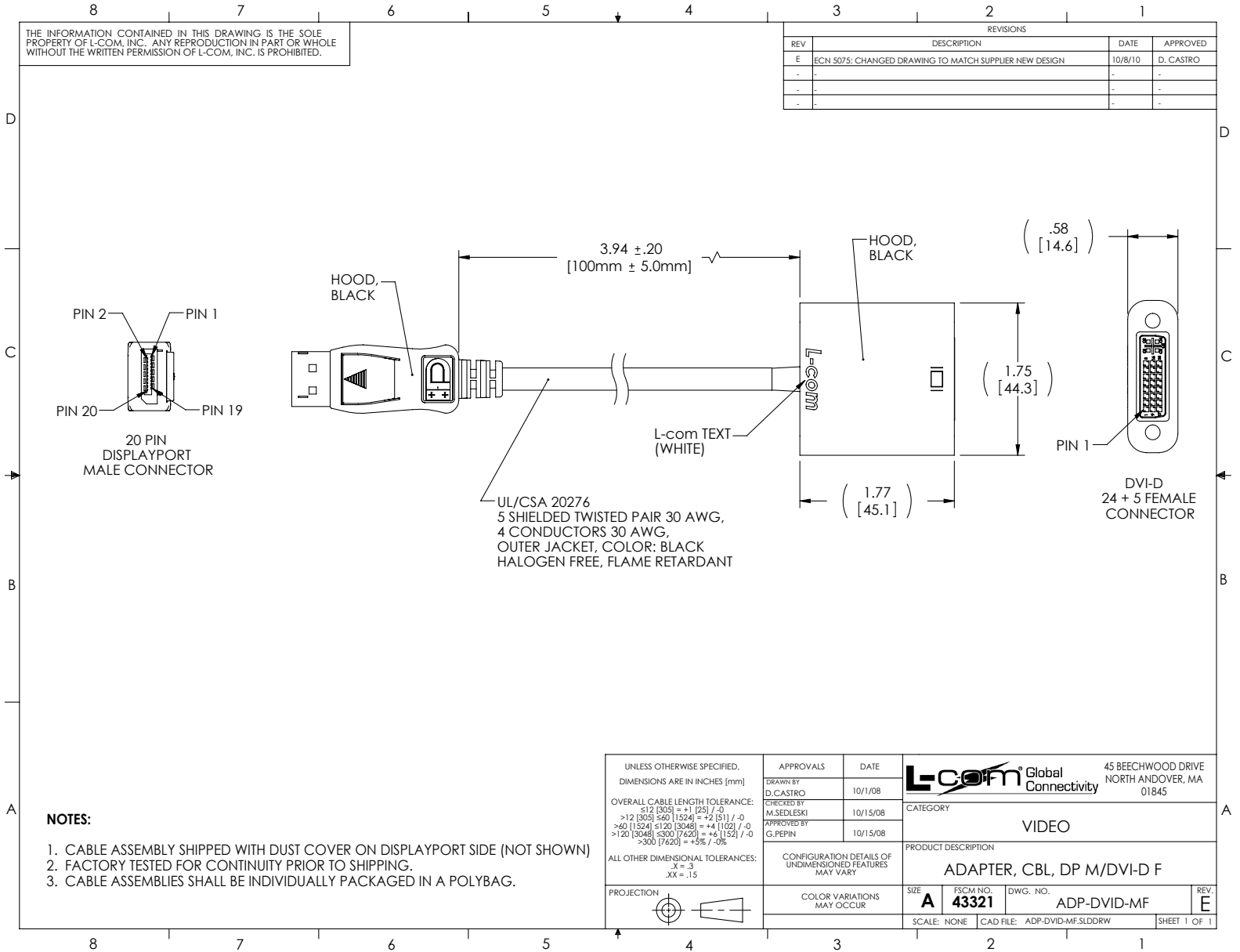


THE INFORMATION CONTAINED IN THIS DRAWING IS THE SOLE PROPERTY OF L-COM, INC. ANY REPRODUCTION IN PART OR WHOLE WITHOUT THE WRITTEN PERMISSION OF L-COM, INC. IS PROHIBITED.

REVISIONS			
REV	DESCRIPTION	DATE	APPROVED
E	ECN 5075: CHANGED DRAWING TO MATCH SUPPLIER NEW DESIGN	10/8/10	D. CASTRO
-	-	-	-
-	-	-	-
-	-	-	-



- NOTES:**
1. CABLE ASSEMBLY SHIPPED WITH DUST COVER ON DISPLAYPORT SIDE (NOT SHOWN)
 2. FACTORY TESTED FOR CONTINUITY PRIOR TO SHIPPING.
 3. CABLE ASSEMBLIES SHALL BE INDIVIDUALLY PACKAGED IN A POLYBAG.

UNLESS OTHERWISE SPECIFIED, DIMENSIONS ARE IN INCHES [mm]	APPROVALS	DATE		45 BEECHWOOD DRIVE NORTH ANDOVER, MA 01845
	DRAWN BY D.CASTRO	10/1/08		
OVERALL CABLE LENGTH TOLERANCE: ≤12 [305] ≤40 [1024] = +1 [25] / -0 >12 [305] ≤40 [1024] = +2 [51] / -0 >60 [1524] ≤120 [3048] = +4 [102] / -0 >120 [3048] ≤300 [7620] = +6 [152] / -0 >300 [7620] = +3% / -0%	CHECKED BY M.SEDLESKI	10/15/08	CATEGORY VIDEO	
	APPROVED BY G.PEPIN	10/15/08	PRODUCT DESCRIPTION ADAPTER, CBL, DP M/DVI-D F	
ALL OTHER DIMENSIONAL TOLERANCES: X = .3 XX = .15	CONFIGURATION DETAILS OF UNDIMENSIONED FEATURES MAY VARY		SIZE A	FSCM NO. 43321
PROJECTION 	COLOR VARIATIONS MAY OCCUR		DWG. NO. ADP-DVID-MF	REV. E
			SCALE: NONE	CAD FILE: ADP-DVID-MF.SLDRW
				SHEET 1 OF 1