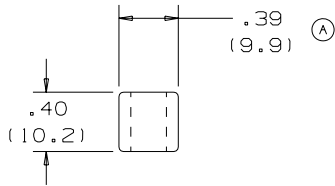
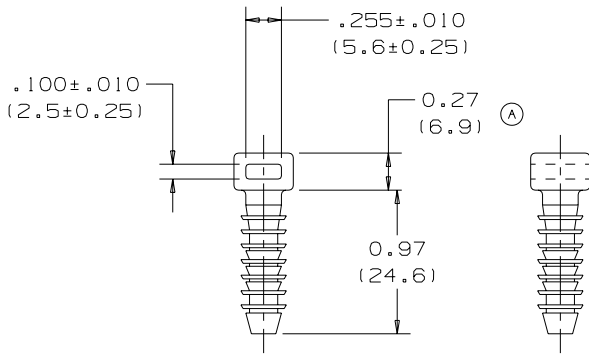


THIS COPY IS PROVIDED ON A RESTRICTED BASIS AND IS NOT TO BE USED IN ANY WAY DETRIMENTAL TO THE INTERESTS OF PANDUIT CORP.



PANDUIT PART NO. *	USED WITH CABLE TIES	HOLE SIZE in (mm)	WEIGHT lbs/ (g) / 100 pc
MPMS25	M, I, S SG100M, SG150I, SG200S SG250S, SG300S, SG370S	.250 DIA X 1.25 DP (6.4 DIA X 31.8 DP)	.22 (100)
SGMPMS25			



\* NOTES:

- SEE CURRENT PRICE SHEET FOR PART NUMBER SUFFIX DESIGNATION FOR PACKAGE SIZE.

(DIMENSIONS IN PARENTHESES ARE IN METRIC.)

CAD FILENAME/LAYERS G00239JI\_PB\_MPMS25\_01



MASONRY PUSH MOUNT  
MPMS25, SGMPMS25

UNLESS OTHERWISE SPECIFIED,  
DIMENSIONAL TOLERANCES ARE:  
(.X) ±0.1(2.5) (.XXX) ±0.020(.5)  
(.XX) ±0.05(1.3) ANGLES ±5°

UNLESS OTHERWISE SPECIFIED,  
ALL DIMENSIONS ARE GIVEN  
IN INCHES, THIRD ANGLE PROJECTION.

REV	DATE	BY	CHK	DESCRIPTION	ECN	R	CUST	SUP	DRAWN BY	DATE	CHK'D	MAT'L	SCALE	DWG NO.	DWG SIZE
I	9-22-06	TMSA		ADDED PART # SGMPMS25 AND CABLE TIE CROSS SECTIONS	GB0239JI	I			LGG	9-04-02		WEATHER RESISTANT NYLON COLOR: BLACK	FULL	GB0239JI	A
R	9-4-02	LGG		INITIAL RELEASE REPLACED G-02025	GB0239JI	R									