



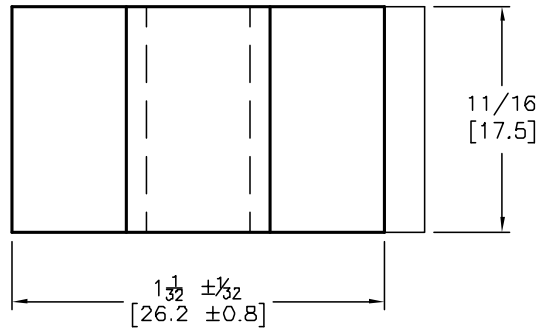
ALL RIGHTS RESERVED. NO PORTION OF THIS PUBLICATION, WHETHER IN WHOLE OR IN PART, CAN BE REPRODUCED WITHOUT THE EXPRESS WRITTEN CONSENT OF SPC TECHNOLOGY.

SPC-F005.DWG

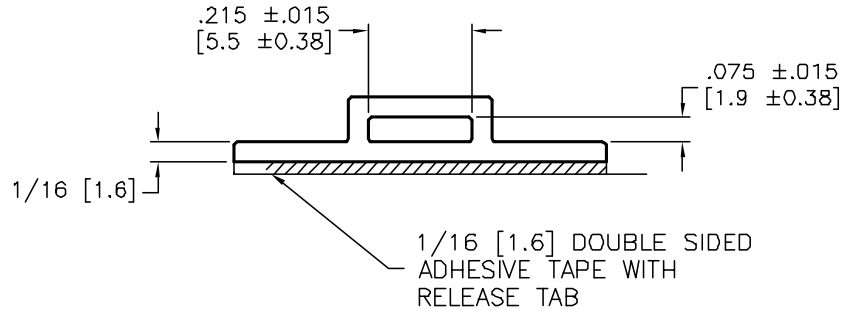
REVISIONS

DCP #	REV	DESCRIPTION	DRAWN	DATE	CHECKD	DATE	APPRVD	DATE
1865	A	RELEASED	JWM	2/14/03	JN	07/02/08	JN	07/02/08

DOC. NO. SPC-F005 * Effective: 7/8/02 * DCP No: 1308



- NOTES:
- To accommodate 18lb. wire ties
 - Material: Noryl
 - Color: White



DISCLAIMER:
ALL STATEMENTS AND TECHNICAL INFORMATION CONTAINED HEREIN ARE BASED UPON INFORMATION AND/OR TESTS WE BELIEVE TO BE ACCURATE AND RELIABLE. SINCE CONDITIONS OF USE ARE BEYOND OUR CONTROL, THE USER SHALL DETERMINE THE SUITABILITY OF THE PRODUCT FOR THE INTENDED USE AND ASSUME ALL RISK AND LIABILITY WHATSOEVER IN CONNECTION THEREWITH.

TOLERANCES:
Tolerances: Unless
Otherwise Specified:
.XX = ±.010
.XXX = ±.005
Fractional = ±1/64
Angles = ±1°

DRAWN BY:	DATE:
Jeff McVicker	2/14/03
CHECKED BY:	DATE:
Jason Nash	07/02/08
APPROVED BY:	DATE:
Jason Nash	07/02/08

DRAWING TITLE: Wire Tie Holder			
SIZE	DWG. NO.	ELECTRONIC FILE	REV
A	2588	92N4803.dwg	A
SCALE: NTS	U.Q.M.: INCHES [mm]	SHEET: 1 OF 1	