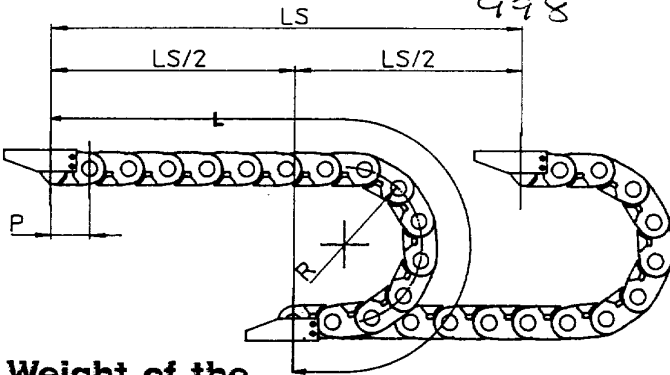


537-962
974
986
998

538-021
036
048
050



SR 355

Chain with a closed link with pivot of antifriction material.

SR 355A

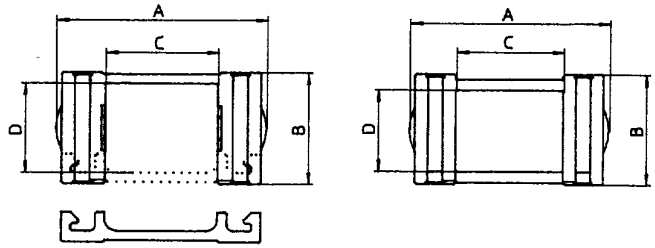
Chain with a closed link with pivot of antifriction material and opening cover.

Determining the length of the chain.

$$L = \frac{LS}{2} + \pi R + 2P$$

Weight of the chains without fastenings

SERIES SR	Kg/m
355-045/046/047/048	1,40
355-065/066/067/068	1,50
355-095/096/097/098	1,80
355A-045/046/047/048	1,50
355A-065/066/067/068	1,60
355A-095/096/097/098	1,90



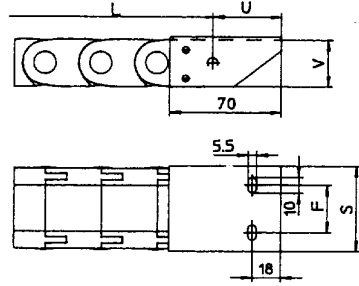
SERIES SR	A	B	C	D	R	P	S	F	U	V
355/045	71	45	45	30	75	40	72	50	40	46
355/046					100					
355/047					150					
355/048					200					
355/065	91	45	65	30	75	40	92	70	40	46
355/066					100					
355/067					150					
355/068					200					
355/095	121	95	95	30	75	40	122	100	40	46
355/096					100					
355/097					150					
355/098					200					
355A/045	74	45	45	31	75	40	75	50	40	32
355A/046					100					
355A/047					150					
355A/048					200					
355A/065	94	43	65	31	75	40	95	70	40	32
355A/066					100					
355A/067					150					
355A/068					200					
355A/095	124	95	95	31	75	40	125	100	40	32
355A/096					100					
355A/097					150					
355A/098					200					

Dimensions in mm.

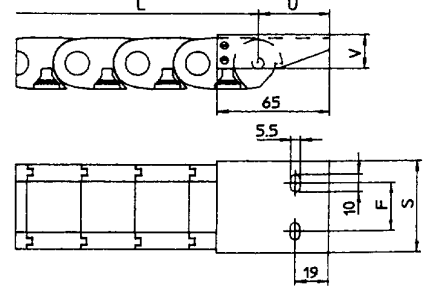
MANUFACTURING TOLERANCE OF ± 10%

Standard steel attachments:

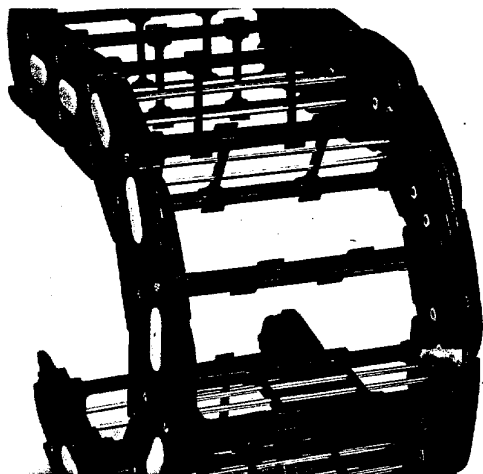
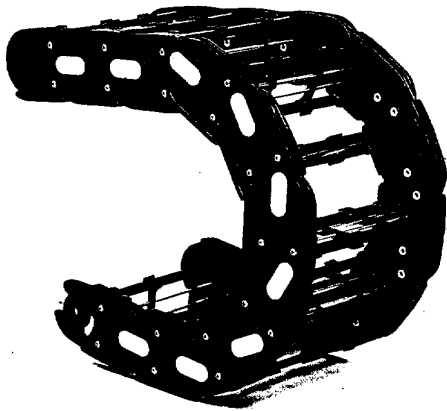
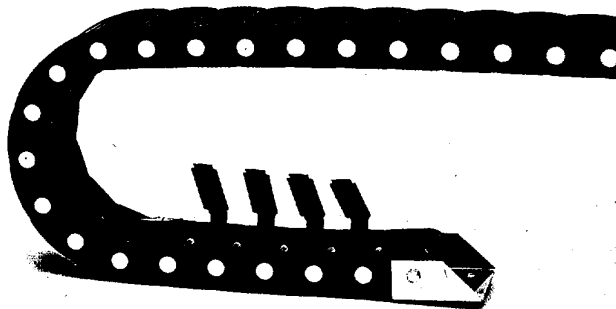
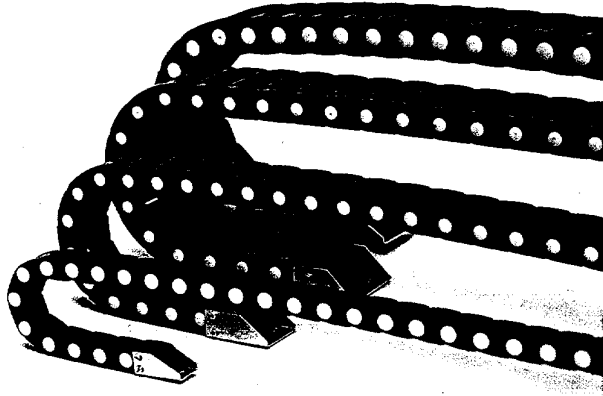
SR 355



SR 355A



Nylon chains



Technical Characteristics

Light and secure, even at high speeds, Brevetti chains will provide protection for the components carried inside the chain for considerable travel distances. Uses are found for protecting moving cable in a wide variety of applications:

- Machine tools
- Robots and manipulator systems
- Conveyors and warehouse systems
- Special vehicles and aerial platforms

Technical Data

Polyamide Reinforced with Glass Fibre

	UNIT	TYPICAL VALUES
Temperature Range	C°	-25° + 125°

MECHANICAL PROPERTIES	UNIT	C°	AMBIENT	
			DRY	WET
Impact strenght notched	KJ/m ²	+23	53	—
		-40	42	—
Impact strenght unnotched	KJ/m ²	+23	14	23
		-40	11	12
Tensile yeld stress	N/mm ²	—	195	115
Tensile modulus of elasticity	N/mm ²	—	11.000	8.000

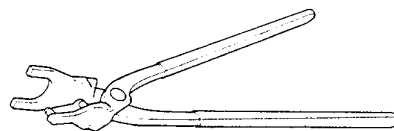
Chemical properties

Resistant to:

- | | |
|-------------------|-------------|
| Water (sea water) | Mineral Oil |
| Ammonia | Oil |
| Petrol | |

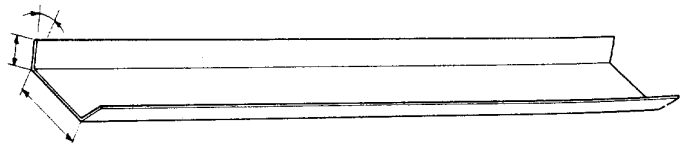
Assembling and dismantling of the links

The chain is sold and delivered complete with mounting attachments. It is always possible to modify the length of the chain or replace damaged links by simply using a special tool.



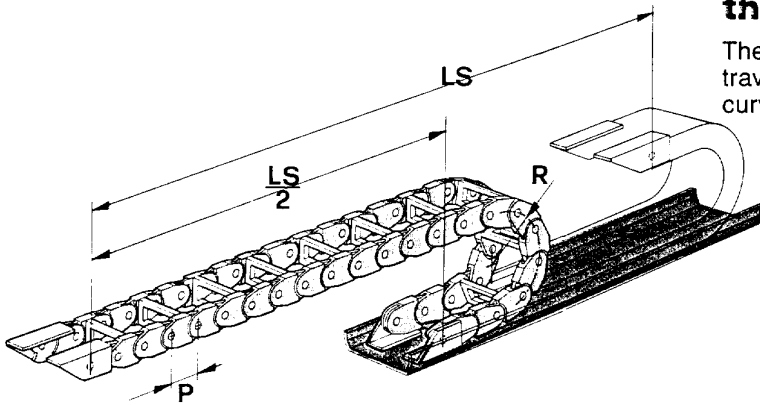
Guide Channel

To enable the chain to work efficiently, it is necessary that the surface of the support is both flat and continuous. Therefore, it is advisable to provide an adequate guide channel which we can supply on



Determining the length of the chain

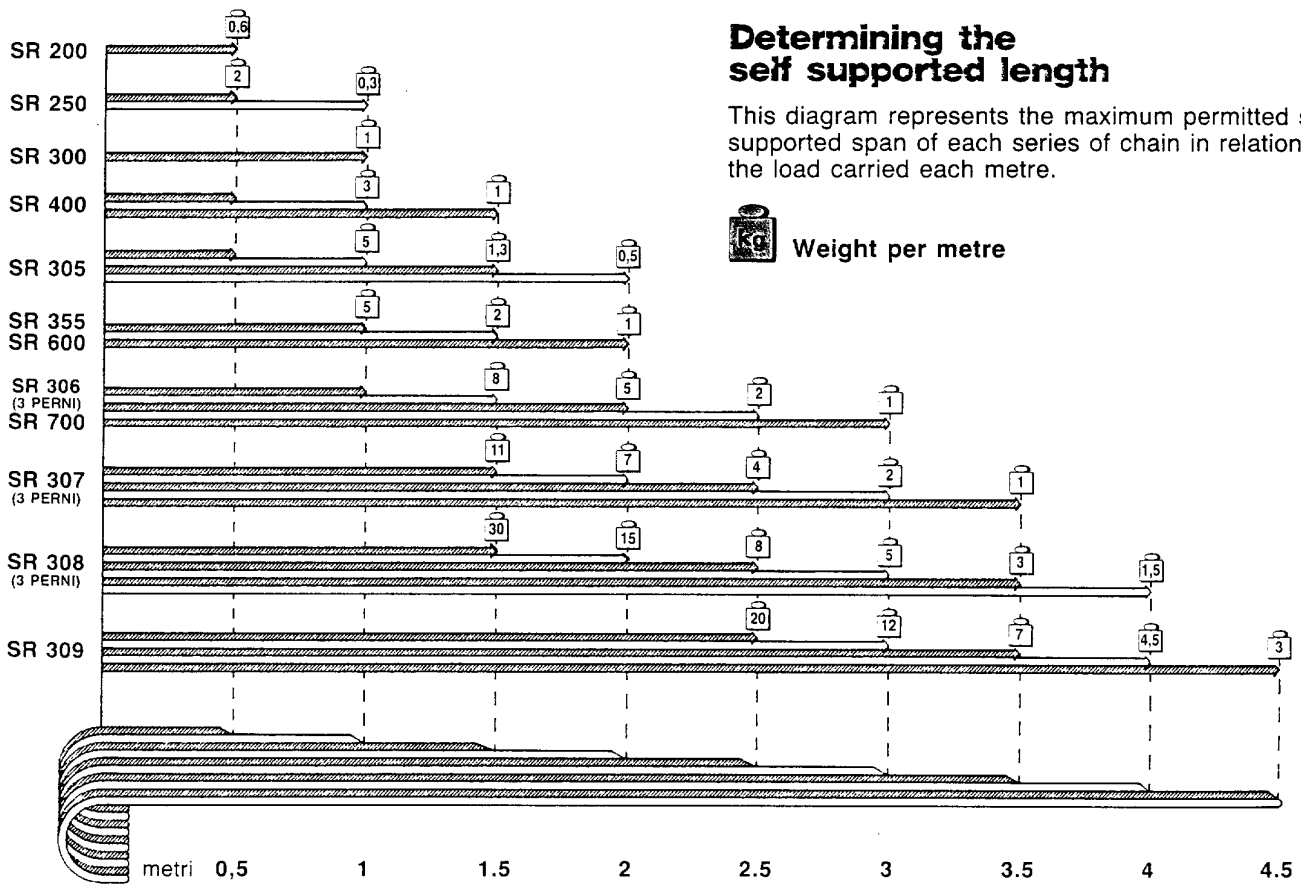
The length of the chain corresponds to half of the travel distances plus π multiplied by the radius of curvature + 2 times the pitch of the chain.



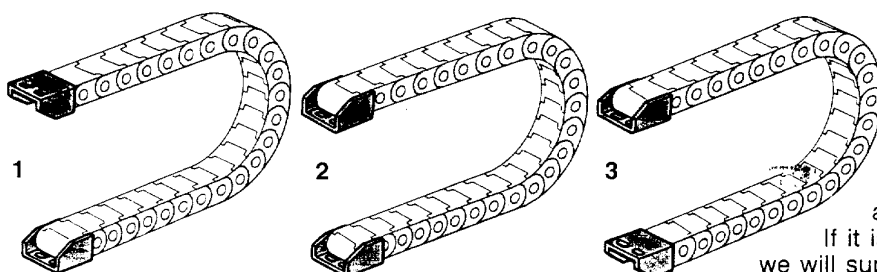
$$L = \frac{LS}{2} + \pi R + 2P$$

Determining the self supported length

This diagram represents the maximum permitted self supported span of each series of chain in relation to the load carried each metre.



Weight per metre

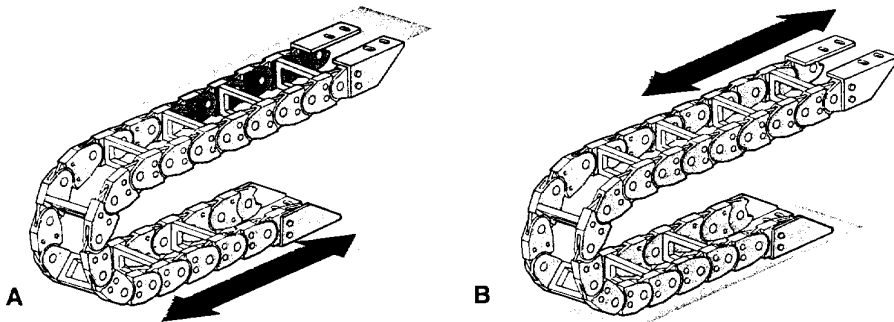


Arrangement of connections

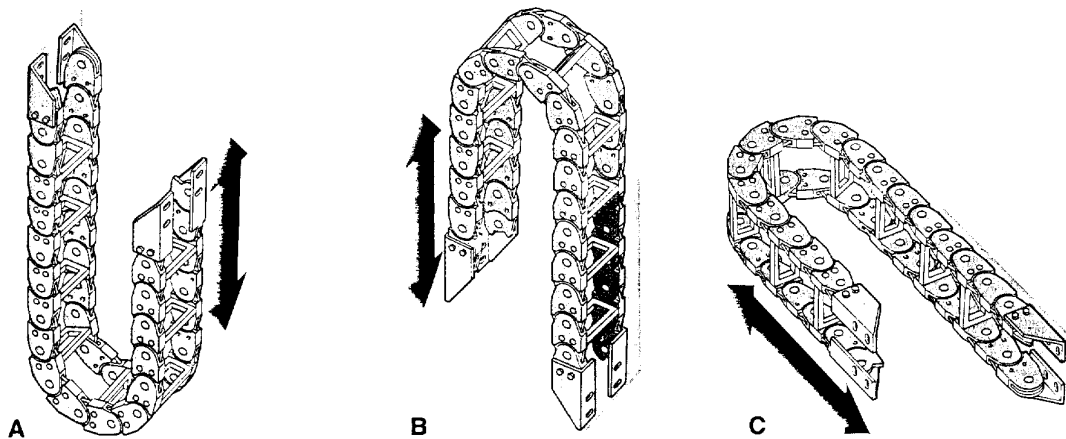
The end attachments can be assembled to a customer's request. If it is not specified in ordering we will supply scheme 1.

Mounting Variations

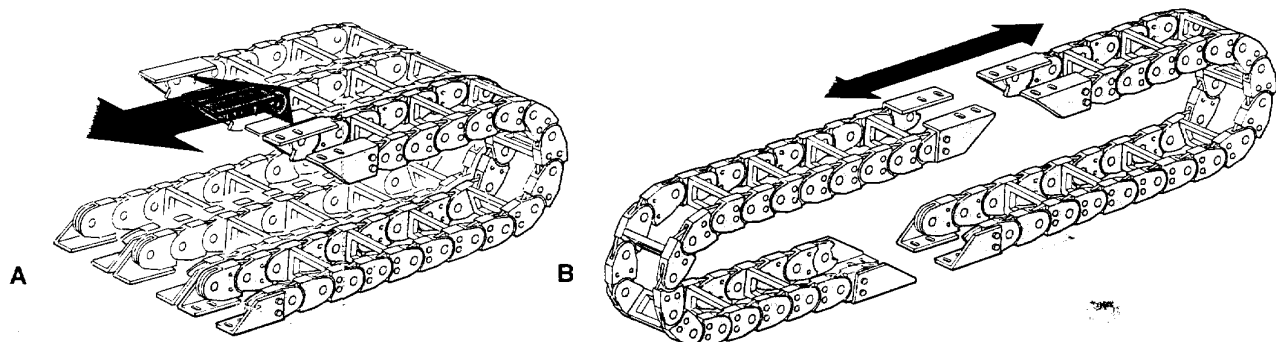
BREVETTI STENDALTO chains can be used to satisfy a wide variety and combination of motions:
Horizontal with mobile part below or above
Horizontal with chain mounted on its side
Vertical with curve below or above
Combination of both vertical and horizontal movement
Our Technical Office is available to assist on special or complex applications with the support of C.A.D. systems.



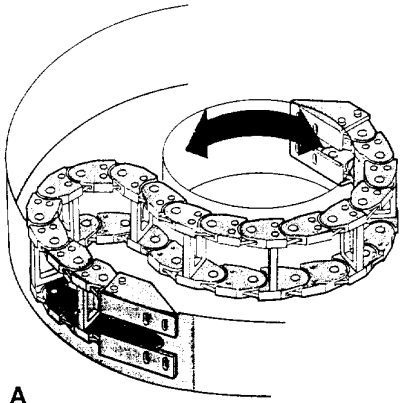
A Horizontal with mobile part below.
B Horizontal with mobile part above.



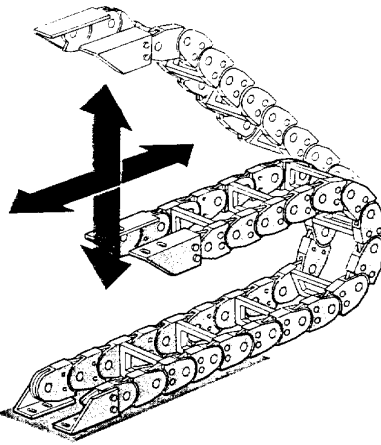
A Vertical with curve below.
B Vertical with curve above.
C Horizontal with chain mounted on its side.



A To increase the carrying capacity, it is possible to position the chains in parallel.
B Chain in section to make a ring configuration.

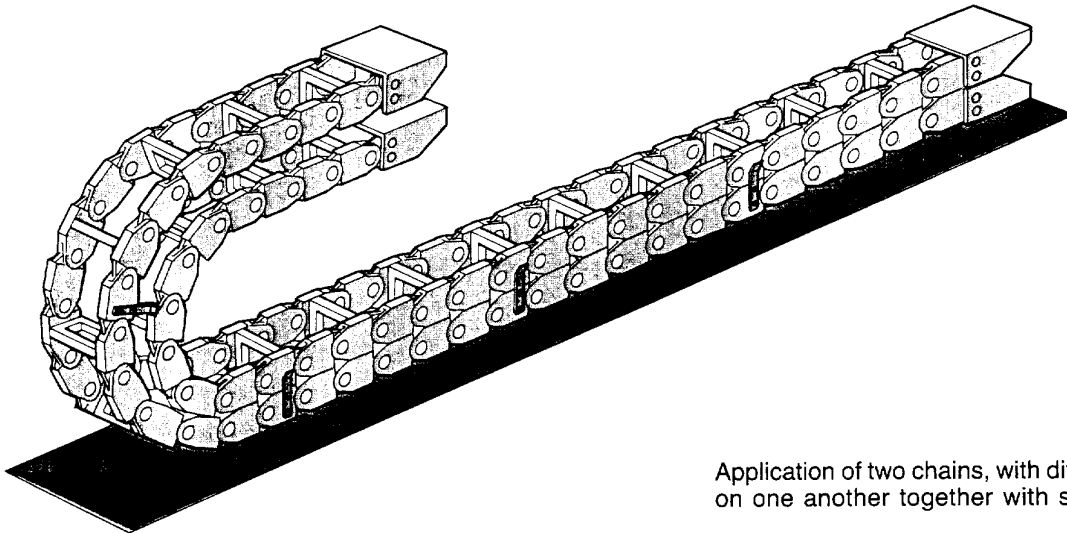


A

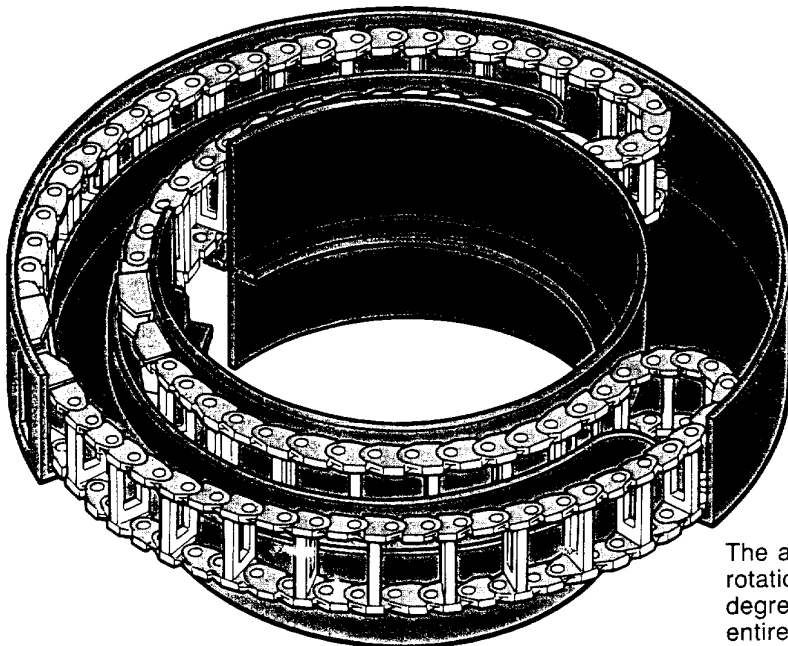


B

A Chain mounted on its side for circular movement.
 B Combination of both vertical and horizontal movement.



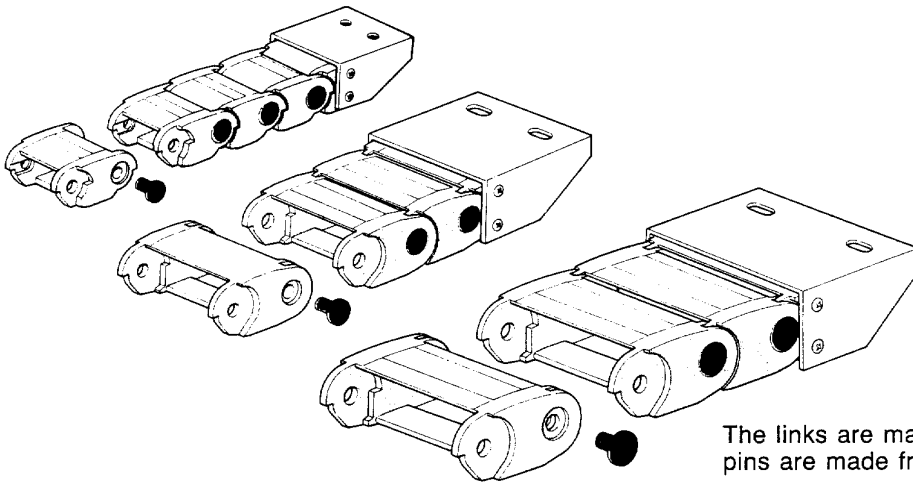
Application of two chains, with different radii, superimposed on one another together with steel guiding.



The application of 2 special chains in a counter rotation configuration allowing a rotation of 370 degrees. A special housing guides the chain over its entire rotation.

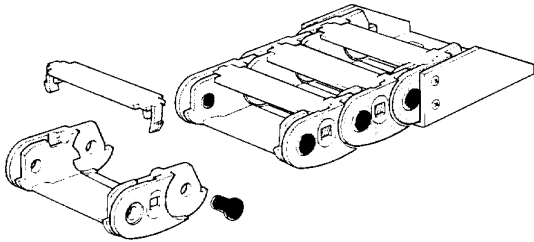
Constructional details of each series

SR 200 SR 300 SR 305 SR 355



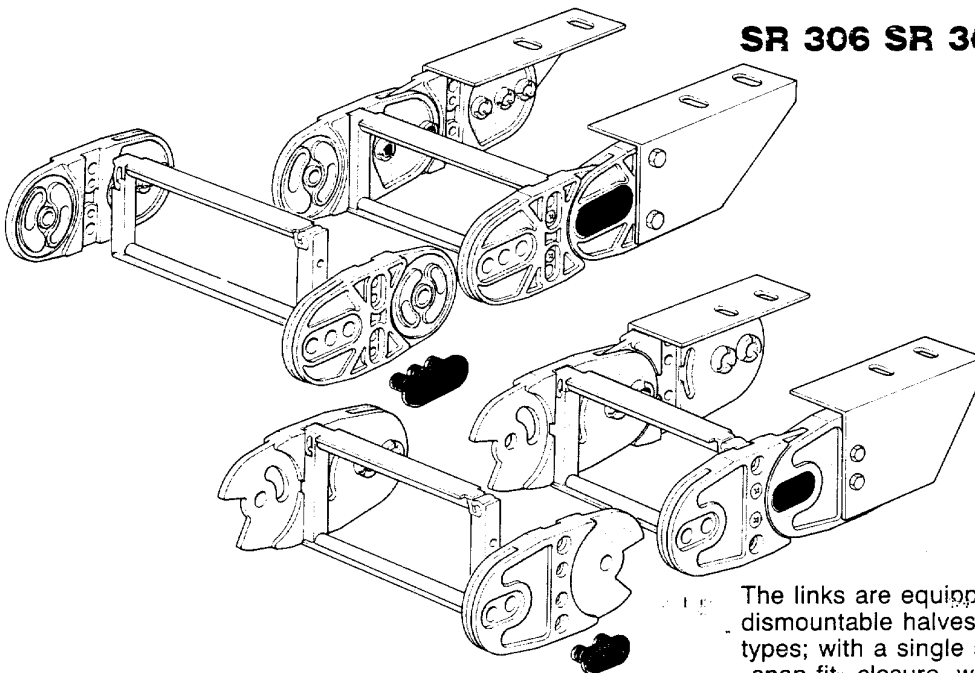
The links are made in one piece. The connecting pivot pins are made from an anti-friction material.

SR 400

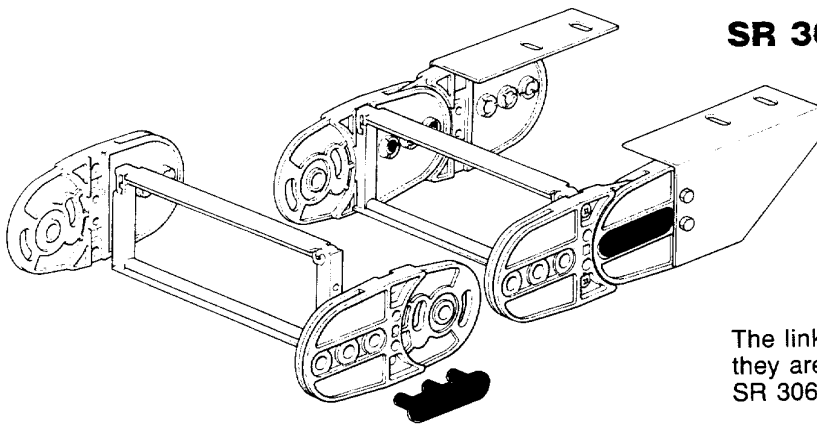


The links are in one piece with a removable cross piece with a «snap fit» connection for the installation of wiring equipment complete with connectors or joints.

SR 306 SR 307

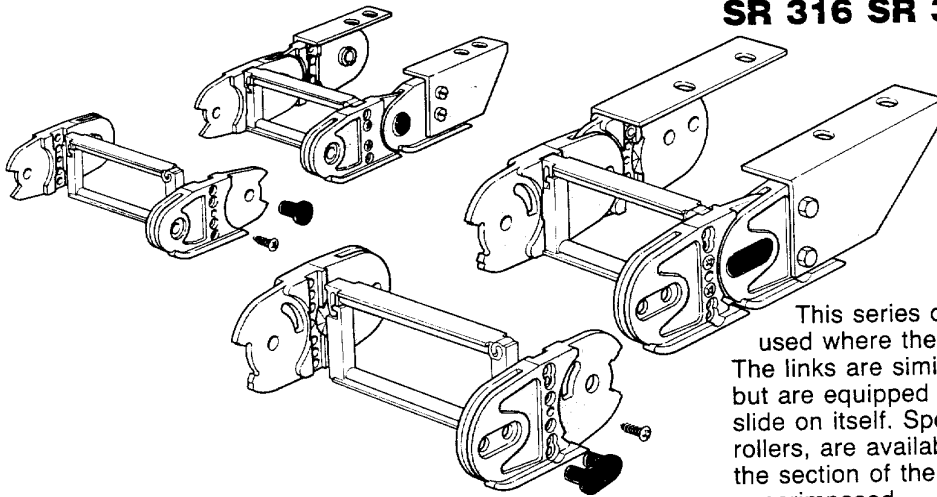


The links are equipped with transverse pieces in dismountable halves and are available in the following types; with a single slot and separators featuring a «snap fit» closure, with holes or aluminium rods and moveable separators.



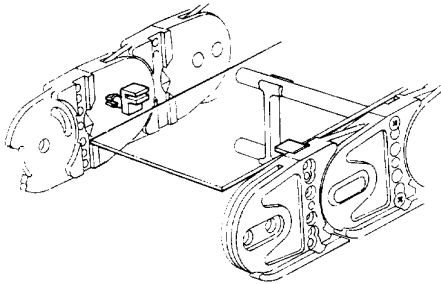
SR 308

The links are joined with double connector pins and they are equipped with cross pieces similar to series SR 306, SR 307.



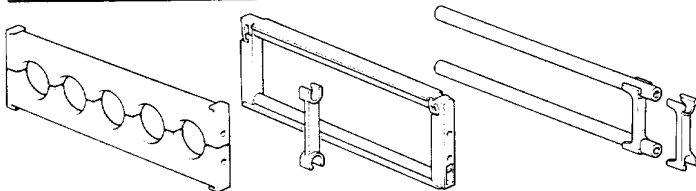
SR 316 SR 318

This series of chains are specially made to be used where the travel distance is particularly long. The links are similar to those of series SR 306, SR 308 but are equipped with skids which permit the chain to slide on itself. Special guide channels, equipped with rollers, are available to support the links of the chain in the section of the travel where the chains is not superimposed.



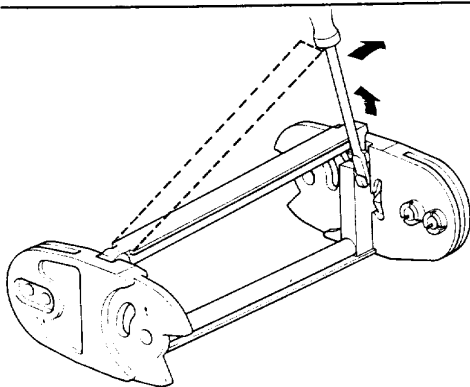
Laminar cover

The chains can be supplied on request with a laminar cover. The chains with rods as transverse pieces and separators can be supplied with hooks to enable a laminar cover to be fitted.



Transverse pieces

Transverse pieces in dismountable halves available with the following chain types: SR 306 SR 307 SR 308 SR 316 SR 318



Snap fit closure

