

LIQUID LEVEL SENSOR

LDS Series –Close Differential Level Sensor

LDS803-51N

Design Features

- High or low level sensing
- Internal & External fit
- Reed Switch reliability
- Silicone sealing components
- Easy installation

Product Comments

- Close Differential - between open and closed
- Normally open or normally closed by rotating through 180°
- Suitable for a wide range of liquids
- Interface option available
- Polypropylene Materials

Typical Applications

- Water high or low Level
- Condensate level alarm
- Drinking water level
- Cooling systems
- Waste Water Level

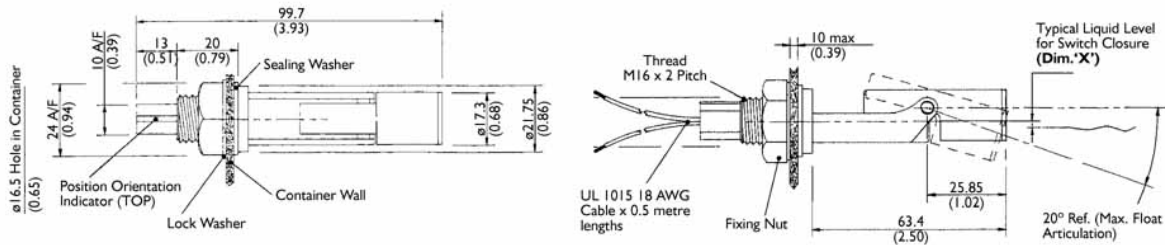


Material, Design and Operation

Mounting:	Side Entry
Material:	Polypropylene
Fitting:	External Fitting
Contact Form:	Form A - SPST
Contact Material:	Ruthenium
Maximum Switching Voltage:	250 VAC or 200VDC
Maximum Switching Current:	1.0
Maximum Power:	15 Watts
Housing Temperature Range °C	80
Housing Material:	Glass Filled Polypropylene
Housing Colour:	Charcoal
Float Material:	Glass Filled Polypropylene
Connection type:	Stripped Cables
Cable Type:	2 x 18AWG 32/0.2mm PVC insulated 0.5m long to UL/CSA/BS6361
Cable Colour:	Black/Black
Minimum Specific Gravity:	0.7
Operating Temperature Range °C:	80
Medium / Liquid:	Water
Operating Pressure BAR:	4 Bar maximum
Sealing Components:	Silicone
Mounting Shock:	50g for 11ms duration
Mounting Vibration:	35g up to 500Hz
Operate Mode:	N/C with float horizontal

Line Drawing

Internal Fitting



INTERNAL FITTING

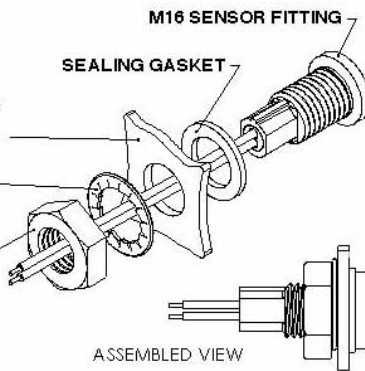
CONTAINER WALL
(THICKNESS MAX 10mm, MIN 1mm)

NOTE! DRILL 0.65" OR 16.5mm HOLE,
ENSURE FREE FROM SWarf AND
SHARP EDGES.

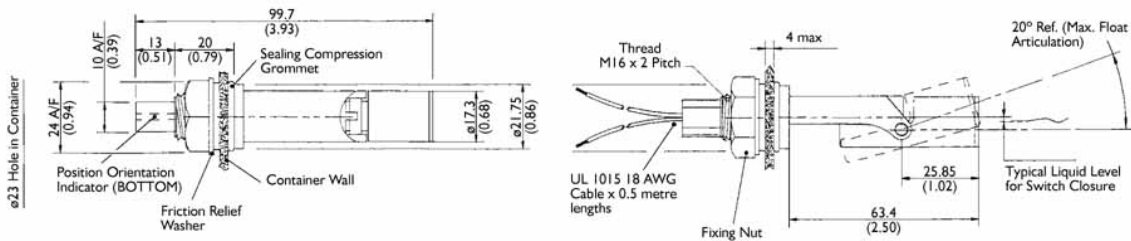
LOCK WASHER

FIXING NUT

NOTE! MAX TORQUE 3lbs/ft
OR 4Nm.



External Fitting



EXTERNAL FITTING

CONTAINER WALL
(THICKNESS MAX 4mm, MIN 1mm)

NOTE! DRILL 0.9" OR 23mm HOLE,
ENSURE FREE FROM SWarf AND
SHARP EDGES.

SEALING GROMMET

FRICITION RELIEF
WASHER

FIXING NUT

NOTE! MAX TORQUE 2lbs/ft
OR 2.67Nm.

