

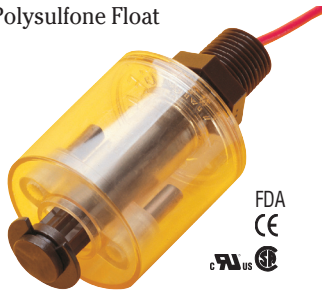
## Small Size – Engineered Plastics

### LS-3 Series – Offers High Reliability, Compact Size and Low Costs in NPT, Straight and Metric Threads

Ideal for shallow tanks or restricted spaces, or for any low-cost, high volume use. LS-3 Series are available in FDA compliant materials, consult GEMS for details.

LEVEL SWITCHES – SINGLE POINT

Polysulfone Float



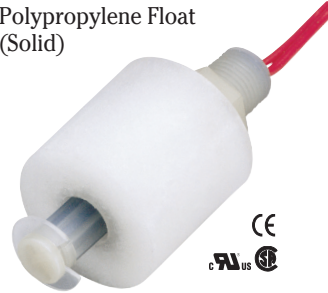
For water based liquids, with limited use in oils and chemicals.

Polypropylene Float (Hollow)



Features a low specific gravity float offering broad chemical compatibility.

Polypropylene Float (Solid)



With Polypropylene stem and float, switch offers broad chemical compatibility.

Buna N Float



Ideal for oils and fuels.

ALL-PVDF



Stem and float of corrosion-resistant PVDF for ultra-pure applications.

New 3/4" Polypropylene Float



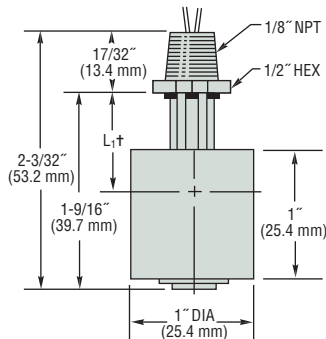
See next page for details.

### Common Specifications

**Approvals:** U.L. Recognized – File No. E45168; CSA Listed – File No. 30200. CE Declaration Available Upon Request. NSF materials are Standard 61 compliant. For NSF approved level switches contact Gems.

**Switch SPST:** 20 VA, 120-240 VAC. Units are shipped N.O. unless otherwise specified. Selectable, N.O. or N.C., by inverting float on unit stem.

### Dimensions – 1" Float Models only



† L<sub>1</sub> = Actuation Level (see chart below)

| Electrical Termination | Alternate Mountings        |                      |                              |
|------------------------|----------------------------|----------------------|------------------------------|
|                        | 3/8"-16<br>Straight Thread | G1/8"<br>1/8"-28 BSP | M12x 1.75<br>Straight Thread |
| Lead Wires             |                            |                      |                              |
| Cable                  |                            |                      |                              |

**How To Order – Select Part Number based on specifications required.**

| Stem and Mounting Material   | Float Material                                   | Float Dia. | Actuation Level <sup>1</sup> | Min. Liquid Sp. Gravity | Pressure Max. @ 70°F (21°C)    | Operating Temperature                            | Mounting Type | Electrical Termination     | Part Number     |
|--|--|------------|------------------------------|-------------------------|--------------------------------|--|---------------|----------------------------|-----------------|
| Polysulfone  | Polysulfone                                      | 1"         | 3/4" (19.0 mm)               | .75                     | 50 psi (3 bar)                 | -40°F to +225°F (-40°C to +107°C)                | 1/8" NPT      | Lead Wires                 | <b>42295</b> ⚡  |
| Polypropylene <sup>2</sup>   | Polypropylene (Hollow)                           | 1"         | 13/16" (20.6 mm)             | .60                     | 50 psi (3 bar)                 | -40°F to +225°F (-40°C to +107°C)                | 1/8" NPT      | Lead Wires                 | <b>142505</b> ⚡ |
|  |  |            |                              |                         |                                |  | 3/8"-16       | Lead Wires                 | <b>171517</b>   |
|  |  |            |                              |                         |                                |  | G 1/8"-28     | Cable                      | <b>171518</b>   |
|  |  |            |                              |                         |                                |  | M12x1.75      | Cable                      | <b>189739</b>   |
| Polypropylene <sup>3</sup> NSF Std. C-2 (Kynar float retaining clip) | Polypropylene <sup>3</sup> (Hollow) NSF Std. C-2 | 1"         | 13/16" (20.6 mm)             | .60                     | 50 psi (3 bar)                 | -40°F to +225°F (-40°C to +107°C)                | 1/8" NPT      | Lead Wires                 | <b>209475</b>   |
|  |  |            |                              |                         |                                |  | 3/8"-16       | Lead Wires                 | <b>209455</b>   |
|  |  |            |                              |                         |                                |  | G 1/8"-28     | Lead Wires                 | <b>209460</b>   |
|  |  |            |                              |                         |                                |  | M12x1.75      | Lead Wires                 | <b>209465</b>   |
| Polypropylene <sup>2</sup>   | Polypropylene (Solid)                            | 1"         | 9/16" (14.3 mm)              | .90                     | 150 psi (10 bar) @ 68°F (20°C) | -40°F to +150°F (-40°C to +66°C)                 | 1/8" NPT      | Lead Wires                 | <b>116826</b> ⚡ |
|  |  |            |                              |                         |                                |  | 3/8"-16       | Lead Wires                 | <b>171514</b>   |
|  |  | 3/4"       | 7/16" (11.1 mm)              | .95                     | Atmospheric                    | -40°F to +176°F (-40°C to +80°C)                 | M12x1.75      | Cable                      | <b>189787</b>   |
| Nylon  | Buna   | 1"         | 13/16" (20.6 mm)             | .45                     | 150 psi (10 bar)               | -40°F to +250°F (oil) (-40°C to +121°C [oil])    | 1/8" NPT      | Lead Wires                 | <b>162745</b> ⚡ |
|  |  |            |                              |                         |                                |  | M12x1.75      | Cable                      | <b>189786</b>   |
|  |  | 3/4"       | 11/16" (17.5mm)              | .85                     | 150 psi (10.3 bar)             | -40°F to +176°F (water) (-40°C to +80°C [water]) | 1/8" NPT      | Lead Wire                  | <b>177818</b>   |
| PVDF   | PVDF   | 1"         | 1/2" (12.7 mm)               | .86                     | 50 psi (3 bar)                 | -40°F to +250°F (-40°C to +121°C)                | 1/8" NPT      | Teflon Jacketed Lead Wires | <b>173250</b>   |

**Notes:**

1. Based on a liquid specific gravity of 1.0.
2. All Polypropylene units carry a Kynar retaining clip. Accessories Available in OEM Quantities: Jam Nut, Gaskets, and Slosh Shields.
3. NSF C-2 Approved unit, for water use only.

⚡ – Stock Items.

## 3/4" Diameter Floats for Tiny Tanks

### Our smallest LS-3 yet!

- ▶ Reliable alternative to more expensive electronic sensors.
- ▶ Fits smaller devices. Less material, lower cost.
- ▶ Proprietary float more buoyant than competitors.

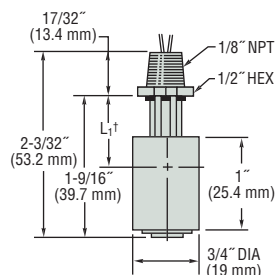
Small yes, but with BIG performance. No other 3/4" float switch on the market matches our LS-3 specs. These units are ideal for potable water, medical devices and other compact appliances, such as printers. Gems proprietary float enables use in lighter-than-water fluids. NSF/ FDA compliant models available at your request. Please consult factory.

### Specifications

|                                    |   |
|------------------------------------|---|
| <b>Wetted Material</b>             |   |
| <b>Stem and Mounting</b>           |   |
| P/N 201540                         | Polypropylene with Kynar retaining clip             |
| P/N 177818                         | Nylon   |
| <b>Float</b>                       |   |
| P/N 201540                         | Polypropylene                                       |
| P/N 177818                         | Buna-N  |
| <b>Operating Temperature, Max.</b> |   |
| P/N 201540                         | 212°F (100°C)                                       |
| P/N 177818                         | 250°F (121°C) oil, -40°F to +176°F (-40°C to +80°C) |
| <b>Pressure, Max.</b>              |   |
| P/N 201540                         | Atmospheric   |
| P/N 177818                         | 150 psi (10.3 bar)                                  |



### Dimensions



<sup>†</sup> L<sub>1</sub> = Actuation Level (see chart above)

### Order by Part Numbers:

- LS-3, 3/4" Polypropylene Float: 201540**
- LS-3, 3/4" Buna-N Float: 177818**

## Unique Features Make These LS-3 Models Special

These small switches feature unique configurations for special applications.

LEVEL SWITCHES – SINGLE POINT

Part No. 142545  
With Slosh Shield



Cut-away version shown

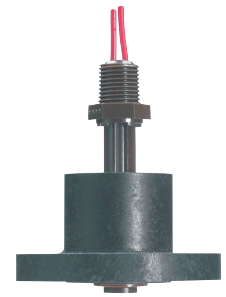
Compact, all-polypropylene switch with slosh shield is ideal for use with turbulent liquids in small tanks. FDA compliant materials.

Part No. 46999  
Bottle Level

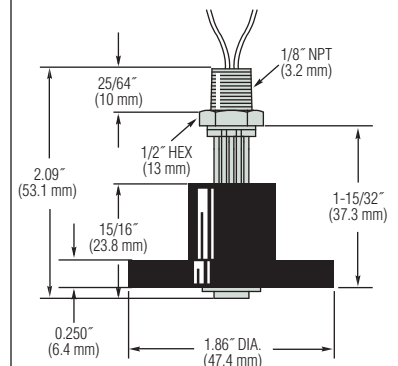
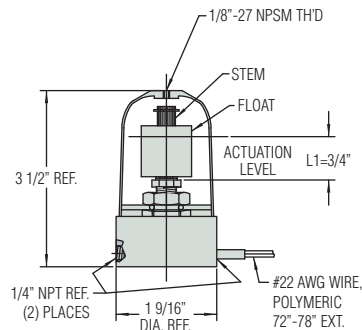
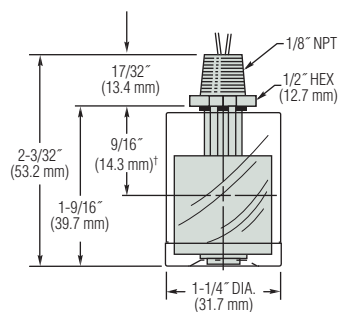


For external mounting on tanks too small to accommodate internally mounted switches. (See note below)

Part No. 76707  
For Low Level



For detecting levels as low as 5/8" from tank bottom. Use in water, some oils and chemicals.



| Order By Part Number                   | 142545 ⚡   | 46999 ⚡                                  | 76707 ⚡                            |
|--|--|--|------------------------------------|
| <b>Materials</b>                       |  |  |                                    |
| <b>Stem and Mounting</b>               | All Polypropylene (Including Shield <sup>4</sup> ) | Polysulfone                              | All Polysulfone (Including Collar) |
| <b>Float</b>                           | Polypropylene (Solid)                              | Polysulfone                              | Buna N                             |
| <b>Other Wetted</b>                    | —  | Brass, Aluminum, Polycarbonate, Viton A  | Epoxy                              |
| <b>Min. Liquid Sp. Gr.</b>             | .90  | .75                                      | —                                  |
| <b>Operating Temperature</b>           | -40°F to +150°F (-40°C to +65.6°C)                 | -40°F to +120°F (-40°C to +48.9°C)       | -40°F to +180°F (-40°C to +82.2°C) |
| <b>Pressure, PSI, Max.<sup>3</sup></b> | 150  | 50                                       |                                    |
| <b>Switch<sup>1</sup>, SPST</b>        | 20 VA, N.C./N.O. Dry <sup>2</sup>                  | 20 VA, N.C. Dry                          |                                    |
| <b>Electrical Termination</b>          | No. 22 AWG, 22" L., PVC Lead Wires                 | No. 22 AWG, 72" L., Polymeric Lead Wires | No. 22 AWG, 72" L., PVC Lead Wires |

Notes:

- See "Electrical Data" on Page X-5 for more information.
- Switch operation is selectable, N.O. or N.C., by inverting the float on the unit stem.
- Maximum pressure at 70°F (21°C).
- Consult factory for other available materials.

† L<sub>1</sub> = Switch actuation level, nominal (based on a specific gravity of 1.0).

Note: LS-3 Series Bottle Level Switch is also available with any of the float materials shown on opposite page. Contact GEMS for correct part number.

⚡ – Stock Items.