

FS-150 2.0 - 18.5 (l/min) with pre-adjusted set points

PISTON TYPE

Straight flow path with low pressure drop

The FS-150 slim, inline switches reduce pressure drop to a minimum.

They incorporate a unique, dual-diameter, internal bore and piston configuration to minimise flow constriction. Liquids are able to smoothly pass around the piston and flow through the switch with little pressure loss to the down stream line.

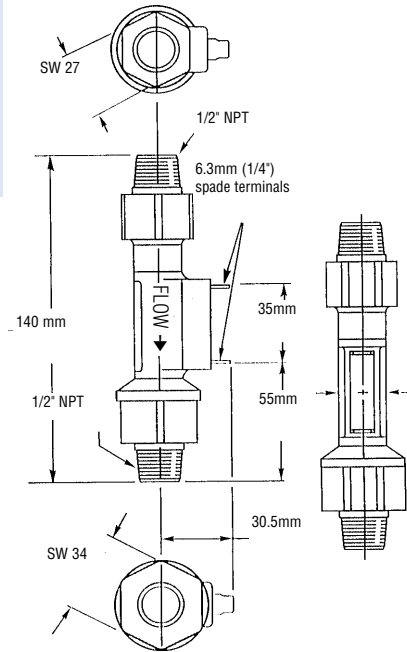


Specifications

(all pressure data related to water at +20°C)

Operating pressure	14 bar
Operating temperature	-17 °C to +100 °C
Set point accuracy	±15%
Set point differential	20% max.
Switch	SPST, 20 VA
Inlet / outlet ports	1/2" NPT male
Electrical termination	6.3 mm (1/4") spade terminals (2)
Mounting orientation	Any position

Dimensions (in mm)



Housing: Polypropylene (hydrolytically stable)
 Piston: Ryton®-R4 316 Stainless Steel
 O-Ring: Viton®
 Spring: 316 Stainless Steel

How to Order

Standard models (medium: water)

Specify part number based on flow setting and switch operation (see chart next column).

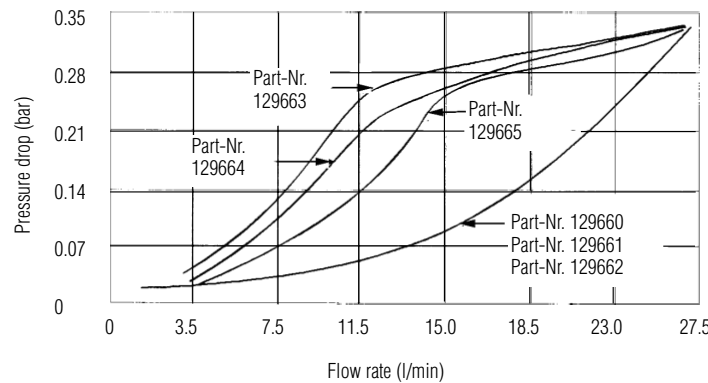
For liquids other than water

Special calibration is available from GEMS for media other than water. Please consult factory with your requirements, including flow media, operating pressure, flow set point and liquid viscosity (SSU).

Order Numbers

set points (l/min)	NO	NC
2.0	129660	129666
3.5	129661	129667
7.5	129662	129668
11.5	129663	129669
15.0	129664	129670
18.5	129665	129671

Pressure drop - typical



Test conducted with units in a horizontal position (terminals upwards), with water at 20°C

FLOW SWITCHES

www.gems-sensors.co.uk