

Liquidtight Flexible Metal Conduit Fittings

Our Liquidtight Line Is the End-All for Liquidtight Dust-Tight Connections.

All our high-performance products are designed to deliver excellent reliability as well as ease of installation in virtually any application. And you benefit from our expertise through our liquidtight and dust-tight connections available for a variety of conduits as well as portable cord.

Thomas & Betts offers the largest and most technologically advanced line of liquidtight fittings in the industry, including connectors for

highly specialized applications such as power and petrochemical plants, paper mills, robot manufacturers, packaging equipment, machine tool building, and other OEM and MRO applications. At Thomas & Betts, we integrate the latest manufacturing technologies with the highest quality materials available. So you can be assured of reliable, liquidtight products that offer improved on-the-job performance and reduced installation time and costs.



United States
Tel: 901.252.8000
800.816.7809
Fax: 901.252.1354

Canada
Tel: 450.347.5318
Fax: 450.347.1976

Technical Services
Tel: 888.862.3289

Thomas & Betts

www.tnb.com

A-105

Liquidtight Flexible Metal Conduit Fittings

T&B makes liquidtight fittings for demanding situations.

Liquidtight Flexible Metal Conduit Fittings

T&B Fittings

Gland deflects water away from connector and prevents "pooling" of moisture. Look for the distinctive "Pumpkin" appearance of the gland nut.

Self-Cleaning Threads inside aluminum gland nut keep dirt and grime out of the threads as you tighten.

Double Beveled Sealing Ring is designed with five unique sealing mechanisms and cannot be installed backwards. Manufactured of high-temperature rated thermoplastic to demanding specifications. Look for the unique T&B blue color ensuring the highest quality fitting.

Safe Edge® Ground Cone provides superior bonding, stronger pullout, easy threading and conductor protection. Look for the distinctive "ski slope" appearance within the "pumpkin" gland nut.

Heat-Curled Insulator provides excellent wire protection and easier glide of conductors through and into the fitting. In addition, the heat-curled finish gives the insulator more strength than glue-in insulators. Look for the unique T&B blue color ensuring the highest quality fitting.

Precision Machined Rolled Threads provide smooth, easy installations.

Tempered Cast Aluminum Locknut with Teeth provides superior strength and electrical bonding and can be installed without a wrench in the enclosure.



Revolver® Grounding Fitting

Saves time and money using our infinitely adjustable rotating ground lug. Simply align the lug in your preferred position and tighten the gland. You'll never need to worry about tightening it into an inconvenient position again.



T&B's Heat-Curled Insulator



Competitor's Glue-In Insulator



Add suffix -GR to the fitting catalog number to order the Revolver® Grounding version.



Liquidtight Flexible Metal Conduit Connectors



Liquidtight Connectors

Liquidtight Flexible Metal Conduit Fittings

Thomas & Betts Liquidtight fittings for flexible metal conduits are suitable for a wide range of installations, including heavy industrial applications. Our Liquidtight fittings are designed to stand up to demanding, wet or corrosive environments, including power and petrochemical plants, paper mills, and anywhere high performance is a requirement.

Features of Thomas & Betts Liquidtight Fittings include:

- Safe Edge® ground cone design that accepts variations in raceway convolutions and provides a positive bond
- Continuous sealing ring that completely surrounds the conduit to ensure a liquid-tight seal
- Zinc chromatic plating for longer life and exceptional appearance
- The broadest liquid-tight line in the industry, including PVC coated, externally grounded, aluminum series, Chase® style, nonmetallic Bullet series, wire mesh grips and more



Liquidtight Fittings for Special Applications

The Revolver® Externally Grounded Fitting

The Revolver liquidtight grounding fitting is our latest breakthrough in convenience to save time and money on the job while delivering a quality connection.

The grounding lug of the new Revolver connector can be rotated in a full circle for convenient positioning that doesn't change when you tighten it. Plus, it's available for the first time in aluminum. It's the newest innovation in Thomas & Betts' versatile line of Liquidtight Connectors — fittings you can count on for liquidtight and dust-tight connections, because all our products revolve around your needs.

PVC-Coated Connectors

When environmental conditions are particularly harsh and corrosive, our PVC-coated connectors are the best choice for both indoor and outdoor applications. The PVC coating protects exposed surfaces for long-lasting, reliable connections.

Sealing Gaskets

Thomas & Betts sealing gaskets are resistant to oil, coolants and hydraulic fluids as well as water, with a stainless steel retaining clip that ensures a quality seal. They're the ideal match to our Liquidtight connectors for a safe and secure seal.

Chase-Style Fittings

Where space is tight, our Chase fittings enable for compact connections within an enclosure.



Liquidtight Flexible Non-Metallic Conduit Fittings

When non-metallic, Type A or EFC conduits are called for, Thomas & Betts' XTRA FLEX® System has our outstanding Bullet fittings and conduits for liquid- and dust-tight connections.

Bullet Fittings

- Feature one-piece construction and a captive O-ring for ease of installation
- Provide a positive seal between the conduit and the connector
- Has tapered thread hub and sealing O-ring for a tight seal to the box or other enclosure

- Are constructed of nonburning, nondripping thermoplastic for high strength chemical resistance
- Feature a smooth insulated body for maximum dielectric strength
- Have a patented, serrated finger design that provides high mechanical pullout strength
- Include a complete range of flexible, non-metallic conduits — including both smooth and corrugated varieties — to complete our XTRA FLEX® System

Liquidtight Flexible Metal Conduit Fittings

T&B Fittings



5331 Series*
5231 AL Series

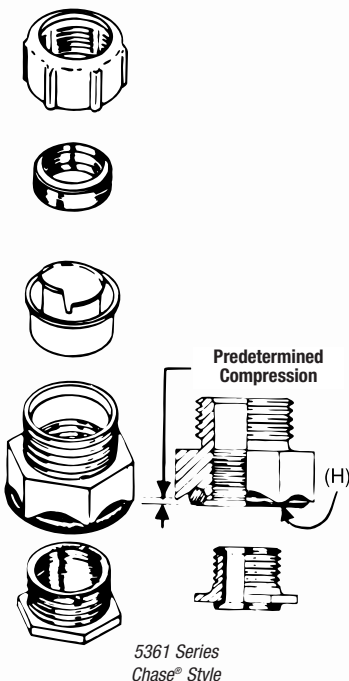


5361 Series



5271 Series

* 5341 Series...
same as 5331, except 45° Connectors
5351 Series...
same as 5331, except 90° Connectors



Application

- Used where flexible metal raceway is installed in outdoor or indoor locations where exposed to continuous or intermittent moisture
- To positively bond conduit to box or enclosure

Features

- Ability to install quickly with low torque effort
- Ground cone design offers the following advantages:
 - (1) Compresses metallic convolutions; provides high quality ground contact with low impedance and high raceway holding power (A)
 - (2) Single helical thread on ground cone is easy to install without cross thread; accepts variations in raceway diameters and convolution pitch (B)
 - (3) Rolled over edge protects conductors (C)

Sealing Ring Design Features

- (1) Grips and seals at leading and trailing edge — will not abrade raceway jacket (D)
- (2) Provided with grooves on inside diameter for anti-sleeving (E)
- (3) Shoulders on both ends for extra sealing (F)
- (4) Symmetrical shape assures foolproof assembly

- Can be disconnected and reused.

- Watertight/oil tight installation at box or enclosure termination is assured by:

- (1) External taper thread hub on 5331 series and use of sealing gasket 5262 series (G)
- (2) Captivated sealing O-Ring on 5361 series (H)
- (3) Taper tapped hole on 5271 series

- Suitable for use in Class I Division 2, Class II Division 1 and 2 and Class III Division 1 and 2 Hazardous Locations per N.E.C. Section 500

- Suitable as a grounding means per NEC Section 351-9 (up to 1¼" trade size on)

- ½" & 1¼" sizes laboratory tested to carry ground fault current of up to 1,000 amps RMS with duration of fault current 3 cycles

- Conforms with JIC requirements

- Available with imperial, I.S.O. & PG threaded hub

Standard Material

5331-5361-5271 Series

Body, Gland, Locknut & Ground Cones: All steel or malleable iron

Sealing Ring and Insulator: All thermoplastic

Sealing Gasket: Stainless Steel and Buna N

5231 AL Series

All Copper-free Aluminum (non-insulated)

5332SST Series

31L Stainless Steel insulated

5332B Series

Marine grade brass insulated avant

Standard Finish

5331-5361-5271 Series

Electro Zinc Plated & Chromate Coated

5231 AL Series

Copper-free Aluminum

Range

5331 Series	¾" thru 6"* conduit
5341 Series	¾" thru 4" conduit
5351 Series	¾" thru 4" conduit
5361 Series	¾" thru 4" conduit
5271 Series	¾" thru 1¼" conduit
5231 AL Series	¾" thru 4" conduit
5332SST Series	½" & ¾" conduit
5332B Series	½" & ¾" conduit

**All hubs provided with taper pipe threads (NPT)*

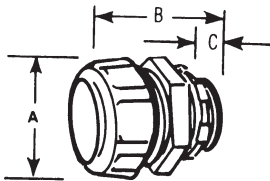
Listed/Certified by

UL (UL File No. E-23018)
CSA (LR-2884, LR-4484, LR-9555)

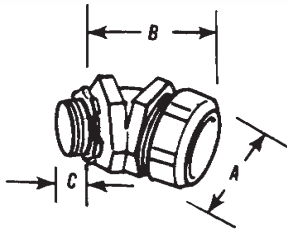
Conforms to

UL 514B
CSA C22.2 No. 18
NEMA FB-1
NFPA 70-1999 (ANSI)
JIC EGP1
JIC EMP1
Federal Specification W-F-406
Federal Standard H-28 (Threads)

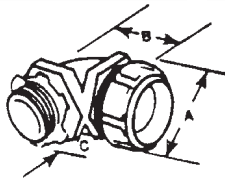
Liquidtight Flexible Metal Conduit Fittings



Steel malleable iron, or aluminum tapered hub threads. With safe-edge ground thru 4" cone and double bevel seating ring (through 2").



Malleable iron, tapered hub threads. With safe-edge ground cone and double bevel sealing ring (through 2").



52[®] and 53[™] Series Liquidtight Straight Connectors*

CAT. NO.		CONDUIT SIZE	DIMENSIONS (IN.)		
INSULATED STEEL	NON-INSULATED STEEL		A	B	C
5229 [‡]	—	¼"	27/32	1 1/8	15/32
5330 [‡]	—	5/16"	63/64	1 1/8	15/32
5331 ^{***}	5231 [†]	3/8"	1 1/32	1 1/2	9/16
5332 [†]	5232 [†]	1/2"	1 1/8	1 1/16	9/16
5333 [†]	5233 [†]	3/4"	1 21/32	1 5/8	9/16
5334 [†]	5234 [†]	1"	1 7/8	2 1/16	3/4
5335 [†]	5235 [†]	1 1/4"	2 7/32	2 1/2	13/16
5336	5236	1 1/2"	2 23/32	2 11/16	13/16
5337	5237	2"	3 1/4	3 1/16	7/8
5338	5238	2 1/2"	3 3/4	4 1/8	1
5339	5239	3"	4 1/2	4 1/4	1
5340	5240	4"	5 1/2	4 3/4	1 1/8
5385 [†]	5285	5"	8 3/4	7	1 1/4
5386 [†]	—	6"	8 3/4	8 1/2	2

52[®] and 53[™] Series Liquidtight 45° Angle Connectors*

CAT. NO.		CONDUIT SIZE	DIMENSIONS (IN.)		
INSULATED	NON-INSULATED		A	B	C
5341 ^{***}	5241 [†]	3/8"	1 1/32	1 1/16	9/16
5342 [†]	5242 [†]	1/2"	1 1/8	1 1/8	9/16
5343 [†]	5243 [†]	3/4"	1 21/32	2 1/8	9/16
5344 [†]	5244 [†]	1"	1 7/8	2 1/4	3/4
5345 [†]	5245 [†]	1 1/8"	2 7/32	2 3/4	13/16
5346	5246	1 1/2"	2 23/32	3 3/8	13/16
5347	5247	2"	3 1/4	3 3/8	7/8
5348	5248	2 1/2"	3 3/4	4 1/4	1
5349	5249	3"	4 1/2	4 1/4	1
5350	5250	4"	5 1/2	4 3/8	1 1/8



52[®] and 53[™] Series Liquidtight 90° Angle Connectors

CAT. NO.		HUB SIZE	CONDUIT SIZE	DIMENSIONS (IN.)		
INSULATED	NON-INSULATED			A	B	C
5351	5251	1/2"	3/8"	1 1/32	1 1/8	9/16
5352	5252	1/2"	1/2"	1 3/8	1 1/16	9/16
5353	5253	3/4"	3/8"	1 21/32	1 3/4	9/16
5354	5254	1"	1"	1 7/8	2 1/16	3/4
5355	5255	1 1/4"	1 1/4"	2 7/32	2 3/4	13/16
5356	5256	1 1/2"	1 1/2"	2 23/32	2 15/16	13/16
5357	5257	2"	2"	3 1/4	3 1/16	7/8
5358	5258	2 1/2"	2 1/2"	3 3/4	8 1/8	1
5359	5259	3"	3"	4 1/2	10 1/4	1
5360	5260	4"	4"	5 1/2	12 5/8	1 1/8

* Suitable for hazardous locations use in Class I, Div. 2; Class II, Div. 1 and 2; Class III, Div. 1 and 2, where general purpose equipment is specifically permitted per NEC Section 500-2(a).

** 3/8" Conduit Fitting has 1/2" hub.

† UL Listed as grounding means under NEC 351-7.

‡ Not UL Listed.

Note: UL Listed liquidtight; and CSA Certified watertight. Available with DURA-PLATE[®] Finish. UL File No. E-23018. CSA File No. 2884.

For Wiremesh Grips, refer to pages A-111 and A-141.

Blue is a trademark color of Thomas & Betts.

United States
Tel: 901.252.8000
800.816.7809
Fax: 901.252.1354

Canada
Tel: 450.347.5318
Fax: 450.347.1976

Technical Services
Tel: 888.862.3289

Thomas & Betts

www.tnb.com

Liquidtight Flexible Metal Conduit Fittings



Corrosion-Resistant PVC Jacketed Liquidtight Connectors

CAT. NO.	CONDUIT SIZE	A	B	C
Straight PVC Coated				
3321†	3/8"	1 1/2"	2 3/8"	3/8"
3322†	1/2"	1"	2 1/2"	3/8"
3323†	3/4"	1 1/8"	2 3/2"	3/8"
3324†	1"	2 1/4"	3 1/4"	3/4"
3325†	1 1/4"	2 1/8"	4 1/4"	1 3/8"
3326	1 1/2"	3"	4 1/8"	1 3/8"
3327	2"	3 3/8"	5 1/8"	1 3/8"
3328	2 1/2"	4"	6 1/8"	1"
3329	3"	5 1/8"	6 1/2"	1"
3331	4"	6 1/4"	6 3/4"	1 1/8"

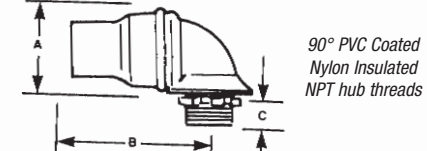
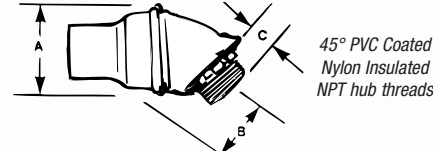
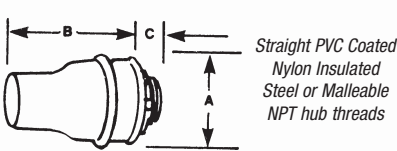
CAT. NO.	CONDUIT SIZE	A	B	C
45° PVC Coated				
3341†	3/8"	1 1/4"	1 1/8"	3/8"
3342†	1/2"	1 1/8"	1 1/8"	3/8"
3343†	3/4"	1 1/8"	1 1/8"	3/8"
3344†	1"	2 1/4"	1 3/8"	3/4"
3345†	1 1/4"	2 1/8"	2 1/8"	1 3/8"
3346	1 1/2"	3"	2 1/8"	1 3/8"
3347	2"	3 3/8"	3 3/8"	1 3/8"
3348	2 1/2"	4 3/8"	3 1/8"	1"
3349	3"	5 1/8"	4 1/8"	1"
3352	4"	6 1/4"	5 3/8"	1 1/8"

CAT. NO.	CONDUIT SIZE	A	B	C
90° PVC Coated				
3361†	3/8"	1 1/4"	2 3/8"	3/8"
3362†	1/2"	1 1/8"	2 1/2"	3/8"
3363†	3/4"	1 1/8"	2 3/2"	3/8"
3364†	1"	2 1/4"	3 1/2"	3/4"
3365†	1 1/4"	2 1/8"	4 1/2"	1 3/8"
3366	1 1/2"	3"	4 1/8"	1 3/8"
3367	2"	3 3/8"	5 1/8"	1 3/8"
3368	2 1/2"	4"	11 1/8"	1"
3369	3"	5 1/8"	12 1/2"	1"
3371	4"	6 1/4"	14 3/8"	1 1/8"

† UL Listed as grounding means per NEC, SECT. 351.7 Complies with JIC standards and Federal Specs A-A-50552, A-A-50553 Suitable for hazardous locations use in Class I, Div. 2; Class II, Div. 1 and 2; Class III, Div. 1 and 2, where general purpose equipment is specifically permitted per NEC Section 500-2(a). Meets Coast Guard CG293

UL File No. E 23018 CSA File No. 2884 UL Type 3, 3R, 3S, 4, 5, 12, 12K & 13 Locations

UL File No. E 23018 CSA File No. 2884 UL Type 3, 3R, 3S, 4, 5, 12, 12K & 13 Locations

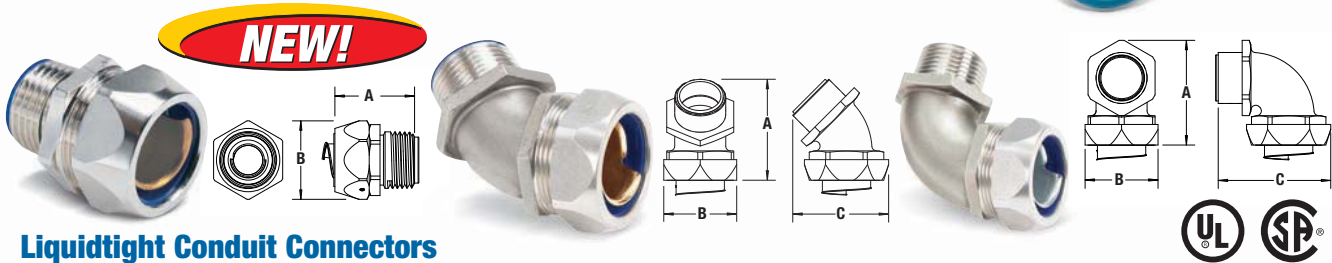


The strength of steel — with superior corrosion-resistance!

Stainless Steel Liquidtight Conduit Connectors

Until now, there's been no ideal conduit fitting solution for use in heavily corrosive environments. Traditional metallic fittings corrode and require frequent replacement. Non-metallic fittings offer less strength, lower UV-resistance and don't stand up well in extreme temperatures. T&B® Stainless Steel Liquidtight Conduit Connectors are constructed of 304 stainless steel to resist corrosion while offering high strength, high UV-resistance and high endurance. Choose among a full range of fittings in straight, 45°, and 90° angled configurations for 3/8" to 2" conduit sizes. Look for the distinctive blue insulator and sealing ring for assurance of T&B quality.

- Ideal for industrial MRO and OEM applications in food and beverage, pharmaceutical, petrochemical, wastewater, salt water and other corrosive environments
- Connects metallic-cored liquidtight conduit to a box or enclosure
- 304 stainless steel body and gland-nut resists corrosion far better than other metallic fittings
- Stronger, more UV-resistant than nonmetallic fittings
- Ground cones are available in 1 1/4", 1 1/2" and 2" sizes and are brass/nickel plated
- Available in straight, 45°, and 90° angled configurations to fit conduit from 3/8" to 2"
- UL® Listed Ratings: 3, 3R, 4, 4X
- 5262 Sealing Ring Gasket (sold separately) includes a stainless steel retaining ring to prevent elongation of the gasket and is made from Santoprene™ material, ensuring a superior seal



Liquidtight Conduit Connectors

CAT. NO.	SIZE	DIMENSIONS			STD. PKG. QTY.
		A	B	C	
Straight					
5331SST	3/8"	1.360"	1.02"	—	25
5332SST	1/2"	1.360"	1.18"	—	25
5333SST	3/4"	1.388"	1.37"	—	25
5334SST	1"	1.562"	1.77"	—	5
5335SST	1 1/4"	1.720"	2.12"	—	20
5336SST	1 1/2"	2.020"	2.48"	—	5
5337SST	2"	2.335"	3.04"	—	2

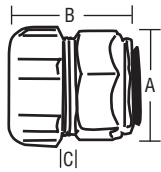
CAT. NO.	SIZE	DIMENSIONS			STD. PKG. QTY.
		A	B	C	
45° Angled					
5341SST	3/8"	1.84"	1.02"	1.43"	25
5342SST	1/2"	1.62"	1.18"	2.04"	25
5343SST	3/4"	2.32"	1.37"	1.93"	10
5344SST	1"	2.86"	1.77"	2.37"	5
5345SST	1 1/4"	3.33"	2.12"	2.80"	5
5346SST	1 1/2"	3.94"	2.48"	3.39"	2
5347SST	2"	4.73"	3.04"	4.23"	1

CAT. NO.	SIZE	DIMENSIONS			STD. PKG. QTY.
		A	B	C	
90° Angled					
5351SST	3/8"	1.95"	1.02"	1.84"	25
5352SST	1/2"	2.12"	1.18"	2.07"	25
5353SST	3/4"	2.47"	1.37"	2.44"	10
5354SST	1"	2.98"	1.77"	2.90"	5
5355SST	1 1/4"	3.53"	2.12"	3.36"	5
5356SST	1 1/2"	4.16"	2.48"	3.88"	2
5357SST	2"	8.60"	3.04"	4.69"	1

CAT. NO.	SIZE	DIMENSIONS			STD. PKG. QTY.
		A	B	C	
Sealing Gasket					
5261	3/8"	—	—	—	50
5262	1/2"	—	—	—	50
5263	3/4"	—	—	—	25
5264	1"	—	—	—	25
5265	1 1/4"	—	—	—	5
5266	1 1/2"	—	—	—	5
5267	2"	—	—	—	5

Blue is a trademark color of Thomas & Betts.

Liquidtight Flexible Metal Conduit Fittings



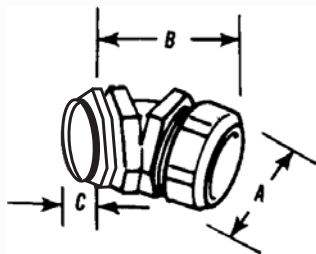
Steel or malleable iron with O-Ring Seal

Nylon Insulated CHASE® Connectors



CAT. NO.	CONDUIT SIZE	DIMENSIONS (IN.)		
		A	B	C
5361†	3/8"	1 1/2	1 1/8	1/8
5362†	1/2"	1 1/2	1 1/8	3/16
5363†	3/4"	1 11/16	1 1/8	1/4
5364†	1"	2 1/2	2 1/16	1/4
5365†	1 1/4"	2 3/8	2 3/8	5/16
5366†	1 1/2"	2 5/8	2 3/4	3/8
5367†	2"	3 3/8	3	3/8
5368†	2 1/2"	4 3/8	3 5/8	7/16
5369†	3"	5 1/8	4 1/2	1/2
5370†	4"	5 1/2	4 1/2	1/2

With SAFE-EDGE® ground cone and double bevel sealing ring (through 2").



Malleable iron

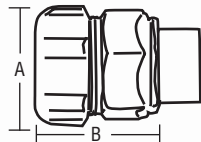
Nylon Insulated 90° Angle CHASE® Connectors

CAT. NO.	CONDUIT SIZE	DIMENSIONS (IN.)		
		A	B	C
5371†	3/8"	1 1/2	1 1/2	3/16
5372†	1/2"	1 15/16	1 15/16	3/16
5373†	3/4"	1 3/4	1 1/2	5/16
5374†	1"	1 7/8	2 1/4	1 1/2

With SAFE-EDGE® ground cone and double bevel sealing ring.

NOTE: UL Listed Liquidtight; & CSA certified watertight. Suitable for hazardous locations use in Class I, Div. 2; Class II, Div. 1 and 2; Class III, Div. 1 and 2, where general purpose equipment is specifically permitted per NEC Section 500-2(a).

†UL listed as grounding means under NEC 351-7.



Standard Liquidtight Female Hub Adapter



CAT. NO.	CONDUIT SIZE	DIMENSIONS (IN.)	
		A	B
5271†	3/8"	1 1/2	1 1/8
5272†	1/2"	1 1/2	1 1/8
5273†	3/4"	1 3/4	1 1/4
5274†	1"	1 1/2	2 1/8
5275†	1 1/4"	2 1/2	2 1/8

†UL Listed as grounding means under NEC 351-7.



Prevents severe conduit bends and pullout!

Wiremesh Grips for Liquidtight Fittings



CAT. NO.	CONDUIT SIZE	LIQUIDTIGHT CONNECTORS			90° CHASE	CHASE	ADAPTER
		STRAIGHT	45°	90°			
WMG-LT1	3/8"	5331	5341	5351	5361	5371	5271
WMG-LT2	1/2"	5332	5342	5352	5362	5372	5272
WMG-LT3	3/4"	5333	5343	5353	5363	5373	5273
WMG-LT4	1"	5334	5344	5354	5364	5374	5274
WMG-LT5	1 1/4"	5335	5345	5355	5365	—	5275
WMG-LT6	1 1/2"	5336	5346	5356	5366	—	5276
WMG-LT7	2"	5337	5347	5357	5367	—	5277
WMG-LT8	2 1/2"	5338	5348	5358	5368	—	5278
WMG-LT9	3"	5339	5349	5359	5369	—	5279
WMG-LT10	4"	5340	5350	5360	5370	—	5282

Order wiremesh grip separately; no need to duplicate inventory.

UL File No. E23018

CSA File No. 2884 & 4484

United States
Tel: 901.252.8000
800.816.7809
Fax: 901.252.1354

Canada
Tel: 450.347.5318
Fax: 450.347.1976

Technical Services
Tel: 888.862.3289

Thomas & Betts

www.tnb.com

Aluminum Liquidtight Conduit



Designed to resist corrosion.

Flexible Aluminum Conduit

Use T&B's new LTA Flexible Aluminum Conduit with T&B AL-Series Liquidtight Fittings in corrosive environments or where weight is a major consideration — such as oil platforms, saltwater applications, pulp and paper, refineries, wastewater and food processing.

- Aluminum conduit engineered to be light and corrosion resistant
- The lightweight solution for mission-critical applications

Specifications

- Construction: Utilizes the flexibility of a lightweight aluminum core, coupled with the advantage of a PVC jacket that is virtually unaffected by sunlight, acid and oil. WEE and RoHS compliant
- Application: Used in situations where concerns of excessive weight and corrosion exist
- Standard Color: Machine tool gray
- Working Temperature: -20° C to +80° C



Ideal for lightweight requirements such as trains, planes and on oil platforms.



Revolver® Grounding Fitting

Save time and money using our infinitely adjustable rotating ground lug. Simply align the lug in your preferred position and tighten the gland. You'll never need to worry about tightening it into an inconvenient position again.



The T&B Aluminum Conduit and Fitting system suits the corrosive conditions of food processing plants.



Add suffix -GR to the fitting catalog number to order the Revolver® Grounding version.

T&B Fittings

Aluminum Liquidtight Conduit

Specifications for LTA Conduit

- Construction: Utilizes the flexibility of a lightweight aluminum core, coupled with the advantage of a PVC jacket that is virtually unaffected by sunlight, acid and oil. WEEE and RoHS compliant
- Application: Used in situations where concerns of excessive weight and corrosion exist
- Standard Color: Machine tool gray
- Working Temperature: -20° C to +80° C
- Standard Materials/Finish: LTA Conduit
Conduit Core: Aluminum
Outer Jacket: PVC

LTA Aluminum Flexible Liquidtight Conduit

CAT. NO.	CONDUIT SIZE	LENGTH (FT.)	INSIDE BEND RADIUS (IN.)	WT. (LBS.)/ 100 FT.	WT. (LBS.)/ 50 FT.
LTA50-100	½"	100	2.5	15	—
LTA75-100	¾"	100	3.0	20	—
LTA100-100	1"	100	4.0	29	—
LTA125-50	1¼"	50	4.5	—	20
LTA150-50	1½"	50	5.5	—	28
LTA200-50	2"	50	7.0	—	36.5
LTA250-25	2½"	25	9.5	188	—
LTA300-25	3"	25	11.5	244	—
LTA400-25	4"	25	14	332	—

Add suffix -GR to the fitting catalog number to order the Revolver® Grounding version.



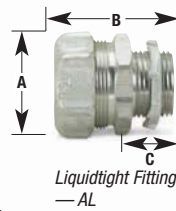
Standard Materials/Finish

Fittings Body, Gland, Locknut Aluminum
Sealing Ring. Thermoplastic
Zinc Plating with Clear
Chromate Ground Cones

52° Series Liquidtight Fittings — AL



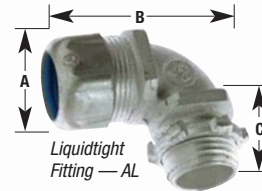
CAT. NO.	CONDUIT SIZE	DIMENSIONS		
		A	B	C
Straight				
5231AL	¾"	1½"	1½"	¾"
5232AL	½"	1¾"	1¾"	¾"
5233AL	¾"	1 ²¹ / ₃₂ "	1¾"	¾"
5234AL	1"	1¾"	2 ¹ / ₁₆ "	¾"
5235AL	1¼"	2 ⁹ / ₃₂ "	2½"	1 ¹ / ₁₆ "
5236AL	1½"	2 ²² / ₃₂ "	2 ¹¹ / ₁₆ "	1 ³ / ₁₆ "
5237AL	2"	3¼"	3 ¹ / ₁₆ "	7 ⁷ / ₁₆ "
5238AL	2½"	3¾"	4 ¹ / ₈ "	1"
5239AL	3"	4 ¹ / ₂ "	4 ¹ / ₄ "	1"
5240AL	4"	5½"	4 ¹ / ₂ "	1 ¹ / ₈ "
90°				
5251AL	¾"	1½"	1¾"	¾"
5252AL	½"	1¾"	1¾"	¾"
5253AL	¾"	1 ²¹ / ₃₂ "	1¾"	¾"
5254AL	1"	1¾"	2 ³ / ₁₆ "	¾"
5255AL	1¼"	2 ⁹ / ₃₂ "	2¾"	1 ¹ / ₁₆ "
5256AL	1½"	2 ²² / ₃₂ "	2 ¹¹ / ₁₆ "	1 ³ / ₁₆ "
5257AL	2"	3¼"	3 ¹ / ₁₆ "	7 ⁷ / ₁₆ "



Liquidtight Fitting — AL



Liquidtight Grounded Fittings — ALGR



Liquidtight Fitting — AL

Liquidtight Grounded Fittings — ALGR



CAT. NO.	CONDUIT SIZE	DIMENSIONS		
		A	B	C
Straight				
5231ALGR	¾"	1½"	1½"	¾"
5232ALGR	½"	1¾"	1¾"	¾"
5233ALGR	¾"	1 ²¹ / ₃₂ "	1¾"	¾"
5234ALGR	1"	1¾"	2 ¹ / ₁₆ "	¾"
90°				
5251ALGR	¾"	1½"	1¾"	¾"
5252ALGR	½"	1¾"	1¾"	¾"
5253ALGR	¾"	1 ²¹ / ₃₂ "	1¾"	¾"
5254ALGR	1"	1¾"	2 ³ / ₁₆ "	¾"

Ground Wire D 14-8 — 5231ALGR, 5232ALGR
Ground Wire D 14-4 — 5233ALGR, 5234ALGR

Ground Wire D 14-8 — 5251ALGR, 5252ALGR
Ground Wire D 14-4 — 5253ALGR, 5254ALGR

United States
Tel: 901.252.8000
800.816.7809
Fax: 901.252.1354

Canada
Tel: 450.347.5318
Fax: 450.347.1976

Technical Services
Tel: 888.862.3289

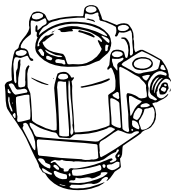
Thomas & Betts

www.tnb.com

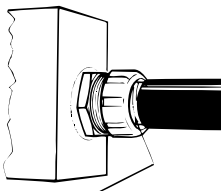
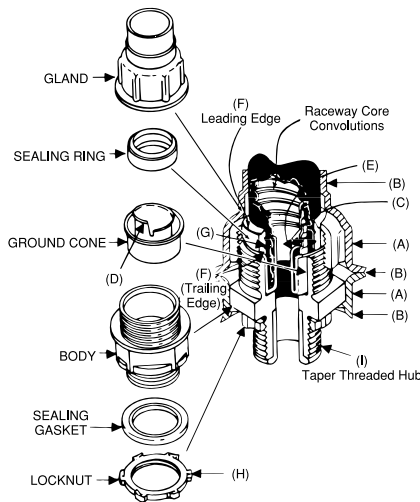
Liquidtight Flexible Metal Conduit Fittings

External Bonding Liquidtight Flexible Metal Conduit Connectors

T&B Fittings



Series 5331GR



Sleeving
Raceway Jacket pulls off — exposing core and affecting liquidtight termination. Feature (E) on sealing ring helps overcome this problem.

Application

- Used where external bonding jumper is required around liquidtight flexible metal conduit
- To positively bond conduit to box or enclosure
- Used where flexible raceway is installed in outdoor or indoors location where exposed to continuous or intermittent moisture

Features

- Designed with provision to install bonding jumper in several positions
- Designed to accept mechanical or compression lug
- Ability to install quickly with low torque effort
 - (1) Compressed metallic convolutions; assures ground contact with low impedance and high raceway holding power (A)
 - (2) Single helical thread on ground cone is easy to install without cross thread; accepts variations in raceway diameters and convolution pitch (B)
 - (3) Rolled over edge protects conductors (C)
- Sealing ring design has following exclusive features:
 - (1) Grips and seals at leading and trailing edge — will not abrade raceway jacket (D)
 - (2) Provided with grooves on inside diameter for anti-sleeving (E)
 - (3) Shoulders on both ends for extra sealing (F)
 - (4) Symmetrical shape ensures foolproof assembly
- Can be disconnected and reuse
- Watertight/oil tight installation at box or enclosure termination is ensured by:
 - (1) External taper thread hub on 5331GR series and use of sealing gasket 5262 series (G)
 - (2) Taper tapped hole on 5271 series
- Suitable for use in Class I Division 2, Class II Division 1 & 2 and Class III Division 1 & 2 Hazardous Locations per NEC Article 500
- Suitable as a bonding means per UL 467 and NEC Article 351-9
- Conforms with JIC requirements

Standard Material

Lugs: High conductivity copper (for copper conductor only)
 Body, Gland, Locknut & Ground Cones: All steel or malleable iron
 Sealing Ring and Insulator: All thermoplastic
 Sealing Gasket: Stainless Steel and Santoprene
 Strap: Steel

Standard Finish

All Electro Zinc Plated and Chromate Coated except lugs
 Lugs: Bright Dipped

Range

5331GR Series (straight connectors with male hub): 3/8" thru 6" conduit
 5341GR Series (45°): 3/8" thru 4" conduit
 5351GR Series (90°): 3/8" thru 4" conduit
 5232ALGR Series: 3/8" thru 1" conduit
 All hubs provided with taper pipe threads (NPT)

Listed/Certified by

UL File #E-23018
 CSA

Conforms to

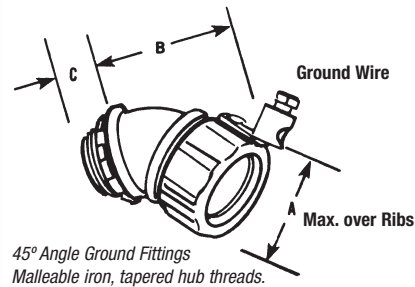
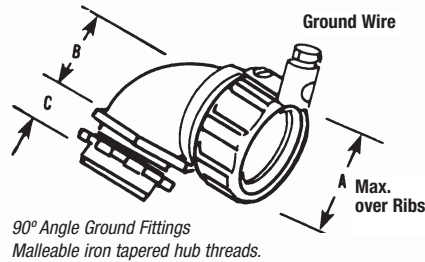
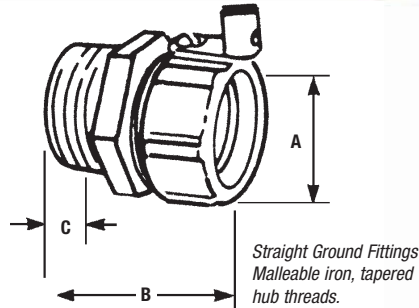
UL 467
 UL 514B
 CSA C22.2 No. 18
 CSA22.2 No. 41
 NEMA FB-1
 NFPA 70
 JIC EGP1
 JIC EMP1
 Federal Specification A-A-50552
 Federal Standard H-28 (threads)
 1 per C.E. Code, this method is not permissible.

Liquidtight Flexible Metal Conduit Fittings



Malleable iron with tapered hub threads!
Grounding Fittings —
Straight*, 45° Angle
and 90° Angle

Revolver®
Ground Ring



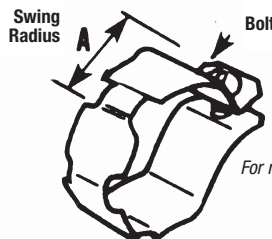
STEEL INSULATED	CAT. NO.		ALUMINUM NON-INSULATED	CONDUIT SIZE	DIMENSIONS (IN.)			GROUND WIRE D
	STEEL NON-INSULATED				A	B	C	
Straight Grounding Fittings								
5331GR**	5231GR*	5231ALGR*	3/8"	1 1/2"	1 1/2"	3/16"	14-8	
5332GR*	5232GR*	5232ALGR*	1/2"	1"	1 1/8"	3/16"	14-8	
5333GR*	5233GR*	5233ALGR*	3/4"	1 3/8"	1 1/8"	3/16"	14-4	
5334GR*	5234GR*	5234ALGR*	1"	1"	2 1/8"	3/8"	14-4	
5335GR	5235GR	—	1 1/4"	2 1/4"	2 1/2"	13/16"	8-1/0	
5336GR	5236GR	—	1 1/2"	3 1/4"	2 1/8"	13/16"	4-2/0	
5337GR	5237GR	—	2"	3 3/8"	3 3/8"	7/8"	4-2/0	
5338GR	5238GR	—	2 1/2"	4 3/8"	4 3/8"	1"	2-4/0	
5339GR	5239GR	—	3"	5 3/8"	4 3/4"	1"	2-4/0	
5340GR	5240GR	—	4"	6 3/8"	4 1/2"	1 1/8"	2-4/0	
5385GR	5285GR	—	5"	8 3/8"	7"	1 1/8"	2-4/0	
5386GR	—	—	6"	8 1/2"	8 1/2"	2"	2-4/0	

INSULATED	CAT. NO.		NON-INSULATED	CONDUIT SIZE	DIMENSIONS (IN.)			GROUND WIRE D
					A	B	C	
90° Angle Grounding Fittings								
5351GR**	5251GR**	5251ALGR*	3/8"	1 1/2"	1 1/4"	3/16"	14-8	
5352GR*	5252GR*	5252ALGR*	1/2"	1"	1 1/8"	3/16"	14-8	
5353GR*	5253GR*	5253ALGR*	3/4"	1 3/8"	1 13/16"	3/16"	14-4	
5354GR*	5254GR*	5254ALGR*	1"	1"	2 1/8"	3/8"	14-4	
5355GR*	5255GR	—	1 1/4"	2 1/4"	2 1/2"	13/16"	8-1/0	
5356GR	5256GR	—	1 1/2"	3 1/4"	2 1/8"	13/16"	4-2/0	
5357GR	5257GR	—	2"	3 3/8"	3 3/8"	7/8"	4-2/0	
5358GR	5258GR	—	2 1/2"	4 3/8"	4 3/8"	1"	2-4/0	
5359GR	5259GR	—	3"	5 3/8"	4 3/4"	1"	2-4/0	
5360GR	5260GR	—	4"	6 3/8"	5 1/2"	1 1/8"	2-4/0	

INSULATED	CAT. NO.		NON-INSULATED	CONDUIT SIZE	DIMENSIONS (IN.)			GROUND WIRE D
					A	B	C	
45° Angle Grounding Fittings								
5341GR**	—	5241GR**	3/8"	1 1/2"	1 1/8"	3/16"	14-8	
5342GR*	—	5242GR*	1/2"	1"	1 1/8"	3/16"	14-8	
5343GR*	—	5243GR*	3/4"	1 3/8"	2 1/8"	3/16"	14-4	
5344GR*	—	5244GR*	1"	1"	2 1/4"	3/8"	14-4	
5345GR	—	5245GR	1 1/4"	2 1/4"	2 3/4"	13/16"	8-1/0	
5346GR	—	5246GR	1 1/2"	3 1/4"	3 3/8"	13/16"	4-2/0	
5347GR	—	5247GR	2"	3 3/8"	3 3/8"	7/8"	4-2/0	
5348GR	—	5248GR	2 1/2"	4 3/8"	4 3/8"	1"	2-4/0	
5349GR	—	5249GR	3"	5 3/8"	4 3/4"	1"	2-4/0	
5350GR	—	5250GR	4"	6 3/8"	4 3/8"	1 1/8"	2-4/0	

** 3/8" conduit fittings have 1/2" trade size hub. With safe-edge ground cone (through 4") and double bevel sealing ring (through 2").
 UL Listed liquidtight; and CSA Certified watertight. Suitable for hazardous locations use in Class I, Div. 2; Class II, Div. 1 and 2; Class III, Div. 1 and 2, where general purpose equipment is specifically permitted per NEC Section 500-2(a). Available with DURA-PLATE® Finish. UL File No. E-3060 CSA File No. 638
 *NOTE: 3/8"-1" fittings include Revolver® grounding device. For sizes 1 1/4" and up, fittings are supplied with a copper mechanical lug.

For retrofit applications — includes strap, nut and bolt!
External Grounding Strap



For retrofit applications. Includes strap, nut and bolt.

CAT. NO.	CONDUIT SIZE	A	B BOLT SIZE
GR1W	3/8"	1"	10-24
GR2W	1/2"	1 1/8"	10-24
GR3W	3/4"	1 1/4"	1/4-20
GR4W	1"	1 1/2"	1/4-20
GR5W	1 1/4"	1 3/8"	5/16-18

UL File No. E-3060 CSA File No. 638

United States
 Tel: 901.252.8000
 800.816.7809
 Fax: 901.252.1354

Canada
 Tel: 450.347.5318
 Fax: 450.347.1976

Technical Services
 Tel: 888.862.3289

Thomas & Betts

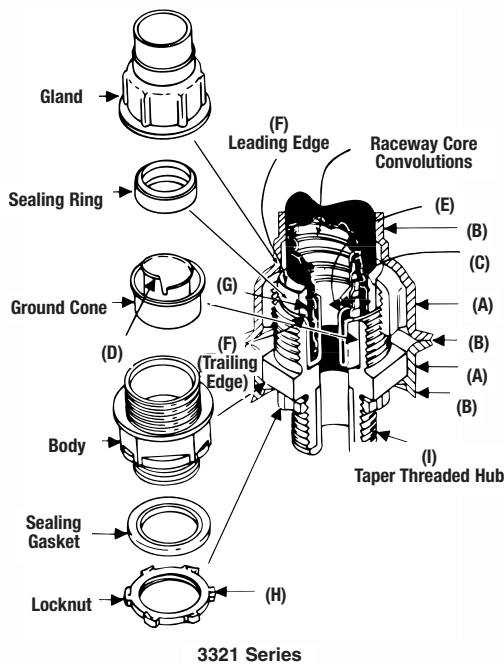
www.tnb.com

Liquidtight Flexible Metal Conduit Fittings



3321 Series*

*3361 Series...
same as 3321, except 90°
3341 Series...
same as 3321, except 45°



3321 Series

Liquidtight Flexible Metal Conduit Connectors (PVC Coated)

Application

- Used where liquidtight flexible metal conduit is installed in outdoor or indoor locations where exposed to environmental conditions that are more than normally corrosive to exposed surfaces
- To positively bond conduit to box or enclosure

Features

- PVC coated to protect connector from extremely corrosive surroundings without affecting integrity of electrical grounding path (A)
- Provided with overlapping sleeve for additional seal (B)
- Ability to install quickly with low torque effort
- Ground cone design offers following advantages:
 - (1) Compresses metallic convulsions; provides high quality ground contact with low impedance and high raceway holding power (C)
 - (2) Single helical thread on ground cone is easy to install without cross threading; accepts variations in raceway diameters and convolution pitch (D)
 - (3) Rolled over edge protects conductors (E)
- Sealing ring design has following exclusive features:
 - (1) Grips and seals at leading and trailing edge — will not abrade raceway jacket (F)
 - (2) Provided with grooves on inside diameter for anti-sleeving (G)
 - (3) Shoulders on both ends for extra sealing
 - (4) Symmetrical shape ensures foolproof assembly
- Hardened steel or malleable iron locknut (H)
- Can be disconnected and reused

- Watertight/oil tight installation at box or enclosure termination is provided by — external taper thread hub and sealing gasket (I)
- Suitable for use in Class I Division 2, Class II Division 1 & 2 and Class III Division 1 & 2 Hazardous Locations per NEC Article 500
- Suitable as a grounding means per NEC Section 351-9 (up to 1¼" trade size)
- Conforms with JIC requirements

Standard Material

Body, Gland, Locknut & Ground Cones: All steel or malleable iron
 Sealing Ring and Insulator: All thermoplastic
 Sealing Gasket, Retainer — Stainless Steel:
 Resilient Seal: Santoprene
 Coating — PVC
 Outside of body & gland...PVC Coated
 Inside of body & gland...Electro Zinc Plated & Chromate Coated
 Locknut & Sealing Gasket, Retainer...Electro Zinc Plated & Chromate Coated

Range

3321, 3361 & 3341 Series...¾" thru 4" conduit
 All hubs provided with taper pipe threads (NPT)

Listed/Certified by:

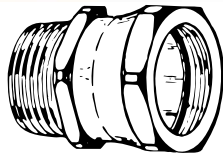
UL (UL File E23018)
 CSA (LR-2884, LR-4484)

Conforms to:

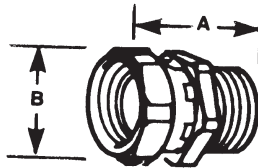
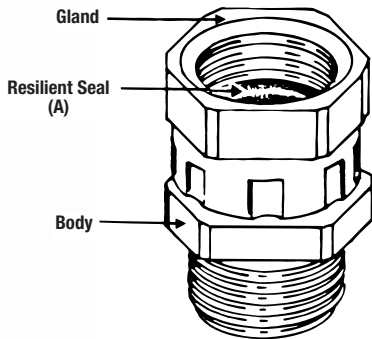
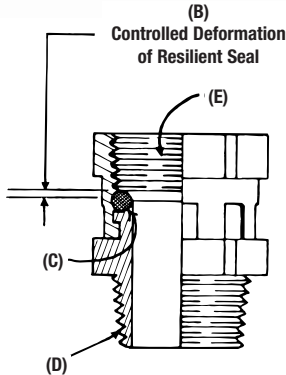
UL 514B
 CSA C22.2 No. 18
 NEMA FB-1
 NFPA 70
 JIC EGP1
 JIC EMP1
 Federal Specification A-A-50552
 Federal Standard H-28 (THREADS)

Liquidtight Flexible Metal Conduit Fittings

T&B Fittings



41 Series



Steel, zinc plated and chromated.
Ideal for angle fittings where swing clearance is not available.

Liquidtight Union for Threaded Hub

Application

- To couple threaded end of a fitting or a pipe to a tapped opening in a box or enclosure where rotation of fitting or pipe is limited or restricted

Features

- Design provides high quality bond between fitting or pipe to the union
- Provided with resilient seal (A)
- Resilient seal subjected to controlled deformation; positive seal and reusability are ensured (B)
- Unique design centralizes throat openings of threaded hub and union (C)
- Permits orientation of fitting in any predetermined direction for a safe, functional and neat assembly
- Provided with taper threaded hub for liquidtight assembly (D)
- Straight pipe threads on gland accept a straight or taper threaded hub on fitting or pipe to be coupled (E)
- Suitable for hazardous location use per NEC Article 501 Class I, Division 2, Article 502 Class II, Division 1 & 2 and Article III Division 1 & 2

Standard Material/Finish

Gland.....Steel/Electro Zinc Chromate Coated
Body.....Steel/Electro Zinc Chromate Coated
O-Ring.....Buna N/As Molded

Range

Hub (External Thread) 1/2" & 3/4" NPT
Gland (Internal Threads)..... 1/2" & 3/4" NPS

Listed/Certified by

UL.....(UL File No. E-23018)
CSA.....(LR-2884, LR-4484)

Conforms to

UL 514B
CSA C22.2 No. 18
NEMA FB1
NFPA 70
Federal Standard A-A-50553
Federal Standard A-A-50552
Federal Standard H-28 (Threads)

NOTE: For additional product information refer to Thomas & Betts publication 600.1



CAT. NO.	CONDUIT SIZE	A	B
41-TB	1/2"	1 3/64"	1"
42-TB	3/4"	1 1/16"	1 1/4"

UL File No. E 23018

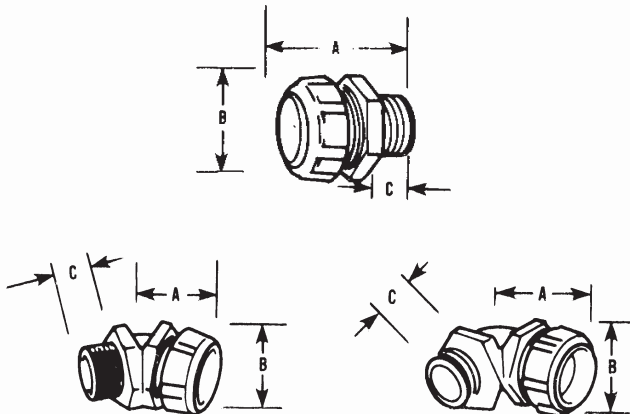
CSA File No. 2884

Liquidtight Flexible Metal Conduit Fittings



Fittings for Liquidtight flexible metal conduit with metric threads of PG form (DIN 40430).

PG Metric Thread Liquidtight Fittings*



Fittings for Liquidtight flexible metal conduit with metric threads of PG Form (DIN 40430).

CAT. NO.	FLEXIBLE CONDUIT SIZE	METRIC PG THREAD	A MM	B MM	C MM
Nylon insulated straight connectors					
7330	¼"	9	36	21	12
7331	¼"	11	36	21	12
7360	⅜"	9	36	26	12
7361	⅜"	11	40	29	14
7362	⅜"	13.5	40	29	14
7363	1½"	16	41	35	14
7364	¾"	21	43	42	14
7365	1"	29	56	47	19
7366	1½"	36	67	58	21
7367	1½"	42	72	69	21
7368	2"	48	81	83	21
Nylon insulated 45° angle connectors					
7341	⅜"	11	27	29	14
7342	⅜"	13.5	27	29	14
7343	½"	16	30	35	14
7344-TB	¾"	21	34	42	14
7345	1"	29	44	47	19
7346	1½"	36	51	58	19
7347	1½"	42	60	69	21
7348-TB	2"	48	73	76	24
Nylon insulated 90° angle connectors					
7351	⅜"	11	37	29	14
7352	⅜"	13.5	37	29	14
7353	½"	16	40	35	14
7354	¾"	21	44	42	14
7355	1"	29	56	47	21
7356	1½"	36	70	58	21
7357	1½"	42	75	69	21
7358	2"	48	87	83	24

*All items shown on this page are suitable for use in hazardous location where general purpose equipment is specifically permitted by the NEC; Class I Div. 2, Class II, Div. 1 & 2; Class III, Div. 1 & 2, NEC 501-4(b); 502-4(a)(b); 503-3(a)(b).

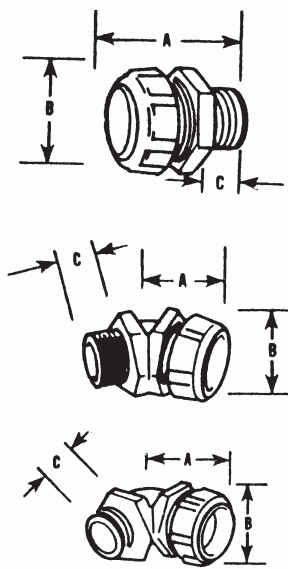
[†]UL Listed as grounding means under NEC 351-7.

UL Listed liquidtight. CSA Certified watertight.

UL File No. E-23018 CSA File No. 2884

Fittings for Liquidtight flexible metal conduit with metric threads of ISO form (BS-4568-SA BS 162).

ISO Metric Thread Liquidtight Fittings*



Fittings for Liquidtight flexible metal conduit with metric threads of ISO Form (BS-4568-SA BS 162).

CAT. NO.	FLEXIBLE CONDUIT SIZE	METRIC ISO THREAD	A MM	B MM	C MM
Nylon insulated straight connectors					
9330	¼"	16	36	21	12
9331	¼"	20	36	21	12
9306	⅜"	16	36	26	12
9360	3/8"	16	40	29	16
9361	3/8"	20	40	29	16
9362	½"	20	42	35	16
9363	¾"	25	45	42	16
9364	1"	32	54	47	23
Nylon insulated 45° angle connectors					
9340	3/8"	16	27	29	16
9341	3/8"	20	27	29	16
9342	½"	20	27	35	16
9343TB	¾"	25	31	42	16
9344	1"	32	34	47	23

CAT. NO.	FLEXIBLE CONDUIT SIZE	METRIC ISO THREAD	A MM	B MM	C MM
Nylon insulated 90° angle connectors					
9350	3/8"	16	35	29	16
9351	3/8"	20	35	29	16
9352TB	½"	20	39	35	16
9353TB	¾"	25	43	42	16
9354TB	1"	32	48	47	23

UL Listed Liquidtight. CSA certified watertight.

* All items shown on this page are suitable for use in hazardous location where general purpose equipment is specifically permitted by the NEC; Class I Div. 2, Class II, Div. 1 & 2; Class III, Div. 1 & 2, NEC 501-4(b); 502-4(a)(b); 503-3(a)(b).

UL File No. E 23018. CSA File No. 2884

United States
Tel: 901.252.8000
800.816.7809
Fax: 901.252.1354

Canada
Tel: 450.347.5318
Fax: 450.347.1976

Technical Services
Tel: 888.862.3289

Thomas & Betts

www.tnb.com