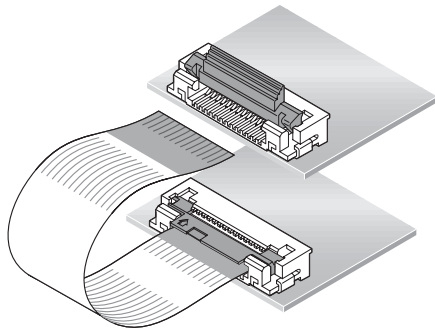


0.50mm (.020") Pitch Premo-Flex™ Flat Flex Cable Jumpers

98266
Standard



Molex introduces a complete line of 0.50mm (.020") pitch Flat Flex Cable jumpers. These jumpers are used to connect 2 PC boards and terminate to either ZIF or Non-ZIF FFC connectors.

Molex 0.50mm (.020") Flat Flex Cable jumpers are available in a wide variety of lengths and circuit sizes. These standard lengths are easy to order and feature shorter lead times.

We are also able to offer customized lengths and circuit sizes.

Reference Information

Product Specification: PS-98266-001

Packaging: Box

UL Style No.: 20706

Mates With: Any 0.50mm (.020") Pitch Molex FFC/FPC connector

Designed In: Millimeters

Electrical

Voltage: 60V

Current: 0.5A

Physical

Strip Length: 4.0mm (.157")

Reinforcement Length: 8.0mm (.315")

Width: (N + 1) 0.50mm

Span: (N - 1) 0.50mm

Margin: 0.35mm (.014")

Conductor Width: 0.30mm (.012")

Conductor Thickness: 0.10mm (.004")

End Thickness: 0.30 ± 0.05mm (.012 ± .002")

Temperature: -40 to +105°C

Type D Jumpers—Contacts on opposite sides (Preferred version in Europe)

Circuits	Order No.											Lead-free
	Overall Length											
	30 mm (1.181")	51 mm (2.00")	76mm (3.00")	102mm (4.00")	127mm (5.00")	152mm (6.00")	178mm (7.00")	203mm (8.00")	229mm (9.00")	254mm (10.00")	305mm (12.00")	
6	98266-0052	98266-0054	98266-0056	98266-0058	98266-0060	98266-0062	98266-0064	98266-0066	98266-0068	98266-0070	98266-0072	
7	98266-0744	98266-0746	98266-0748	98266-0750	98266-0752	98266-0754	98266-0756	98266-0758	98266-0760	98266-0762	98266-0764	
8	98266-0074	98266-0076	98266-0078	98266-0080	98266-0082	98266-0084	98266-0086	98266-0088	98266-0090	98266-0092	98266-0094	
9	98266-0766	98266-0768	98266-0770	98266-0772	98266-0774	98266-0776	98266-0778	98266-0780	98266-0782	98266-0784	98266-0786	
10	98266-0096	98266-0098	98266-0100	98266-0102	98266-0104	98266-0106	98266-0108	98266-0110	98266-0112	98266-0114	98266-0116	
11	98266-0788	98266-0790	98266-0792	98266-0794	98266-0796	98266-0798	98266-0800	98266-0802	98266-0804	98266-0806	98266-0808	
12	98266-0118	98266-0120	98266-0122	98266-0124	98266-0126	98266-0128	98266-0130	98266-0132	98266-0134	98266-0136	98266-0138	
13	98266-0810	98266-0812	98266-0814	98266-0816	98266-0818	98266-0820	98266-0822	98266-0824	98266-0826	98266-0828	98266-0830	
14	98266-0140	98266-0142	98266-0144	98266-0146	98266-0148	98266-0150	98266-0152	98266-0154	98266-0156	98266-0158	98266-0160	
15	98266-0832	98266-0834	98266-0836	98266-0838	98266-0840	98266-0842	98266-0844	98266-0846	98266-0848	98266-0850	98266-0852	
16	98266-0162	98266-0164	98266-0166	98266-0168	98266-0170	98266-0172	98266-0174	98266-0176	98266-0178	98266-0180	98266-0182	
17	98266-0854	98266-0856	98266-0858	98266-0860	98266-0862	98266-0864	98266-0866	98266-0868	98266-0870	98266-0872	98266-0874	
18	98266-0184	98266-0186	98266-0188	98266-0190	98266-0192	98266-0194	98266-0196	98266-0198	98266-0200	98266-0202	98266-0204	
19	98266-0876	98266-0878	98266-0880	98266-0882	98266-0884	98266-0886	98266-0888	98266-0890	98266-0892	98266-0894	98266-0896	
20	98266-0206	98266-0208	98266-0210	98266-0212	98266-0214	98266-0216	98266-0218	98266-0220	98266-0222	98266-0224	98266-0226	
21	98266-0898	98266-0900	98266-0902	98266-0904	98266-0906	98266-0908	98266-0910	98266-0912	98266-0914	98266-0916	98266-0918	
22	98266-0228	98266-0230	98266-0232	98266-0234	98266-0236	98266-0238	98266-0240	98266-0242	98266-0244	98266-0246	98266-0248	
23	98266-0920	98266-0922	98266-0924	98266-0926	98266-0928	98266-0930	98266-0932	98266-0934	98266-0936	98266-0938	98266-0940	
24	98266-0250	98266-0252	98266-0254	98266-0256	98266-0258	98266-0260	98266-0262	98266-0264	98266-0266	98266-0268	98266-0270	
25	98266-0942	98266-0944	98266-0946	98266-0948	98266-0950	98266-0952	98266-0954	98266-0956	98266-0958	98266-0960	98266-0962	
26	98266-0272	98266-0274	98266-0276	98266-0278	98266-0280	98266-0282	98266-0284	98266-0286	98266-0288	98266-0290	98266-0292	
27	98266-0964	98266-0966	98266-0968	98266-0970	98266-0972	98266-0974	98266-0976	98266-0978	98266-0980	98266-0982	98266-0984	
28	98266-0294	98266-0296	98266-0298	98266-0300	98266-0302	98266-0304	98266-0306	98266-0308	98266-0310	98266-0312	98266-0314	Yes
29	98266-0986	98266-0988	98266-0990	98266-0992	98266-0994	98266-0996	98266-0998	98266-1000	98266-1002	98266-1004	98266-1006	
30	98266-0316	98266-0318	98266-0320	98266-0322	98266-0324	98266-0326	98266-0328	98266-0330	98266-0332	98266-0334	98266-0336	
31	98266-1008	98266-1010	98266-1012	98266-1014	98266-1016	98266-1018	98266-1020	98266-1022	98266-1024	98266-1026	98266-1028	
32	98266-0338	98266-0340	98266-0342	98266-0344	98266-0346	98266-0348	98266-0350	98266-0352	98266-0354	98266-0356	98266-0358	
33	98266-1030	98266-1032	98266-1034	98266-1036	98266-1038	98266-1040	98266-1042	98266-1044	98266-1046	98266-1048	98266-1050	
34	98266-0360	98266-0362	98266-0364	98266-0366	98266-0368	98266-0370	98266-0372	98266-0374	98266-0376	98266-0378	98266-0380	
35	98266-1052	98266-1054	98266-1056	98266-1058	98266-1060	98266-1062	98266-1064	98266-1066	98266-1068	98266-1070	98266-1072	
36	98266-0382	98266-0384	98266-0386	98266-0388	98266-0390	98266-0392	98266-0394	98266-0396	98266-0398	98266-0400	98266-0402	
37	98266-1074	98266-1076	98266-1078	98266-1080	98266-1082	98266-1084	98266-1086	98266-1088	98266-1090	98266-1092	98266-1094	
38	98266-0404	98266-0406	98266-0408	98266-0410	98266-0412	98266-0414	98266-0416	98266-0418	98266-0420	98266-0422	98266-0424	
39	98266-1096	98266-1098	98266-1100	98266-1102	98266-1104	98266-1106	98266-1108	98266-1110	98266-1112	98266-1114	98266-1116	
40	98266-0426	98266-0428	98266-0430	98266-0432	98266-0434	98266-0436	98266-0438	98266-0440	98266-0442	98266-0444	98266-0446	
41	98266-1118	98266-1120	98266-1122	98266-1124	98266-1126	98266-1128	98266-1130	98266-1132	98266-1134	98266-1136	98266-1138	
42	98266-0448	98266-0450	98266-0452	98266-0454	98266-0456	98266-0458	98266-0460	98266-0462	98266-0464	98266-0466	98266-0468	
43	98266-1140	98266-1142	98266-1144	98266-1146	98266-1148	98266-1150	98266-1152	98266-1154	98266-1156	98266-1158	98266-1160	
44	98266-0470	98266-0472	98266-0474	98266-0476	98266-0478	98266-0480	98266-0482	98266-0484	98266-0486	98266-0488	98266-0490	
45	98266-1162	98266-1164	98266-1166	98266-1168	98266-1170	98266-1172	98266-1174	98266-1176	98266-1178	98266-1180	98266-1182	
46	98266-0492	98266-0494	98266-0496	98266-0498	98266-0500	98266-0502	98266-0504	98266-0506	98266-0508	98266-0510	98266-0512	
47	98266-1184	98266-1186	98266-1188	98266-1190	98266-1192	98266-1194	98266-1196	98266-1198	98266-1200	98266-1202	98266-1204	
48	98266-0514	98266-0516	98266-0518	98266-0520	98266-0522	98266-0524	98266-0526	98266-0528	98266-0530	98266-0532	98266-0534	
49	98266-1206	98266-1208	98266-1210	98266-1212	98266-1214	98266-1216	98266-1218	98266-1220	98266-1222	98266-1224	98266-1226	
50	98266-0536	98266-0538	98266-0540	98266-0542	98266-0544	98266-0546	98266-0548	98266-0550	98266-0552	98266-0554	98266-0556	