

FS-3 Series – Compact, Low Flow Units for Clean Potable Water Applications

Flow Rate Settings: Liquids: 0.05 GPM to 1.00 GPM
Gases: 25 CFH to 12 CFM

Port Size: 1/4" Male NPT

Primary Construction Material: Noryl®

Setting Type: Fixed

These ultra compact switches have been specifically designed for reliable operation in clean post-filtered water. They are made primarily of Noryl®, with all other wetted materials also FDA or NSF compliant. FS-3 switches are instrument-quality, yet affordably priced for pure water equipment...from U.V. Lamp switching to Filter Life Monitoring.

Specifications

Wetted Materials*	
Housing and Barbs	Noryl®
Piston	Noryl® and Epoxy
Spring and Stop Pin	316 Stainless Steel
Pressure Rating	150 PSI @ 70°F; 50 PSI @ 212°F
Operating Temperature	0°F to 212°F (100°C), Max.
Required Filtration	50 Micron or Better
Switch**	SPST, N.O.† Pilot Duty 20 VA, 120-240 VAC or VDC
Electrical Termination	No. 22 AWG, 18" L., PVC Lead Wires

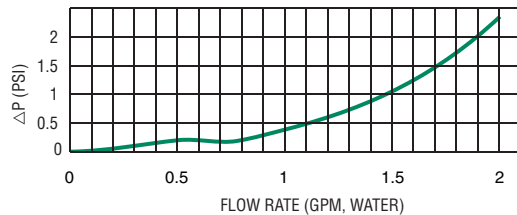
* Materials of construction are either FDA or NSF compliant.

** See "Electrical Data" on Page X-5 for more information.

† N.O. switches in No Flow condition are standard.

Pressure Drop Data

Typical ΔP vs Flow Rate



How To Order

Specify the FS-3 Flow Switch using part numbers tabulated below. Set points other than those listed are available as special order; contact GEMS with your requirements.

Switch Actuation Set Point for Liquids (GPM)	Part Numbers for Liquids	Switch Actuation Set Point for Gases		Part Numbers for Gases
		5 PSI	100 PSI	
0.05	165840 ⚡	25 CFH	60 SCFH	165840-Air ⚡
0.25	165841 ⚡	1 CFM	2.6 CFM	165841-Air ⚡
0.50	165842 ⚡	2.5 CFM	5.6 CFM	165842-Air ⚡
1.00	165843 ⚡	5 CFM	12 CFM	165843-Air ⚡

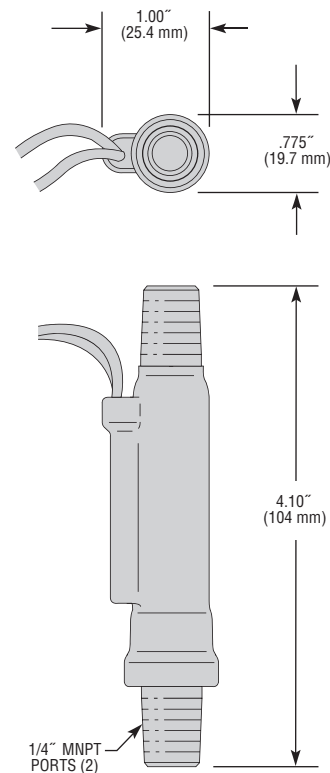
Notes:

- This device is designed to provide Flow/No Flow sensing. Tabulated set points specify maximum contact closure thresholds on increasing fluid flow. Re-establishment of a Normally Open contact occurs on decreasing fluid flow by 0 GPM.
- Flow settings are based on a vertical position (inlet port down), using water (for liquids) or air (for gases) at +70°F on increasing flow. Some variation in set point actuation will occur with other gases or liquids, and in other mounting orientations.
- Use of 50 micron, or better, filtration is required.

⚡ – Stock Items.



Dimensions



Other port sizes available; please call factory.

Special Requirements.

GEMS caters to OEM needs with special configurations, including Gas (Air) flow, and customer specified electrical terminations.