

# FS-150 Series – Straight Flow Path with Low Pressure Drop

**Flow Rate Settings:** Liquids: 0.5 GPM to 5 GPM  
**Port Size:** 1/2" NPT  
**Primary Construction Material:** Polypropylene  
**Setting Type:** Fixed

These slim, inline switches reduce pressure drop to a minimum. They incorporate a unique, dual-diameter, internal bore and piston configuration to minimize flow constriction. Liquids are able to smoothly pass around the piston and flow through the switch with little pressure loss to the down stream line.

## Specifications

<b>Wetted Materials</b>	
<b>Housing</b>	Polypropylene, Hydrolytically Stable, Glass Reinforced
<b>Piston</b>	Ryton® -R4, 316 Stainless Steel
<b>O-Ring</b>	Viton®
<b>Spring</b>	316 Stainless Steel
<b>Operating Pressure, Maximum</b>	200 PSIG (13.8 bar) @+70°F to +150°F (+21.1°C to 65.5°C) 150 PSIG (10.3 bar) @+150°F to +212°F (+65.5°C to +100°C)
<b>Operating Temperature</b>	0°F to 212°F (-17.8°C to +100°C)
<b>Set Point Accuracy</b>	±15%
<b>Set Point Differential</b>	20% Maximum
<b>Switch*</b>	SPST, 20 VA
<b>Inlet/Outlet Ports</b>	1/2" NPT Male
<b>Electrical Termination</b>	1/4" Male Quick Connect Terminals (2)

\*See "Electrical Data" on Page X-5 for more information.

## How To Order – Standard Models

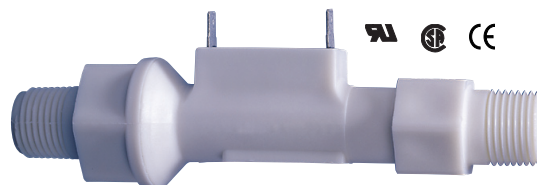
Specify Part Number based on flow setting and switch operation.

Flow Settings GPM	Part Numbers	
	Normally Open @ No Flow	Normally Closed @ No Flow
0.5	129660 ⚡	129666
1.0	129661 ⚡	129667
2.0	129662 ⚡	129668
3.0	129663 ⚡	129669
4.0	129664	129670
5.0	129665	129671

Notes:

- Flow settings are calibrated using water @ +70°F on increasing flow, with units in a horizontal position (terminals up).
- Care should be taken by specifiers to ensure fluid compatibility with the above listed wetted materials.
- Use of 150 micron filtration is recommended.

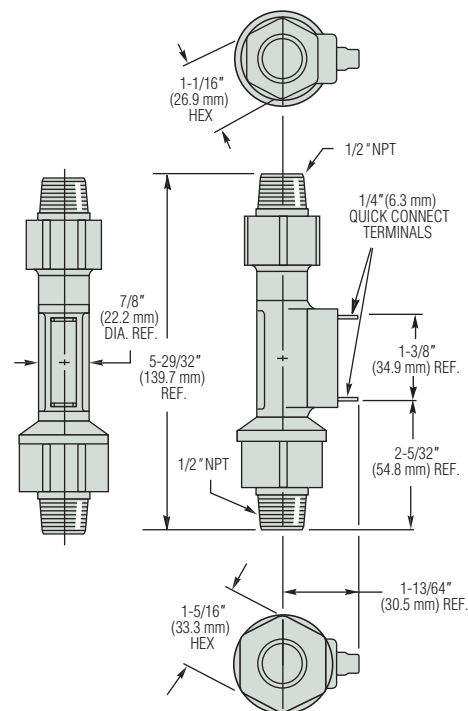
⚡ – Stock Items.



U.L. RECOGNIZED —  
 FILE NO. E31926  
 CSA Listed —  
 File No. LR30200

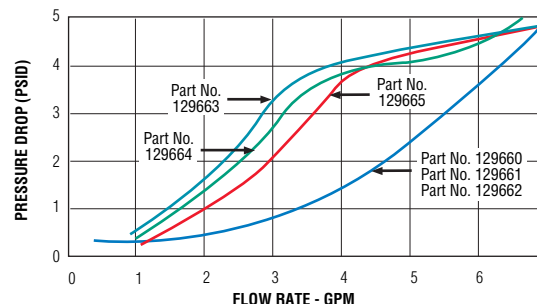
Patent #  
 4.996.396

## Dimensions



Note: Cable output available. Please consult factory.

## Pressure Drop - Typical



Tests conducted with units in a horizontal position with water at +70°F (21°C). Data will vary slightly for vertically mounted units.

FLOW SWITCHES