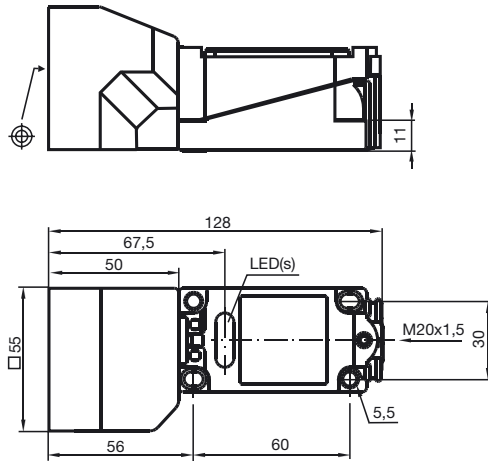


Inductive proximity switches

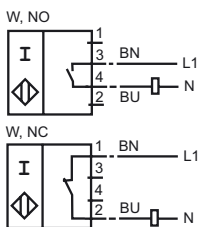
NJ40+U1+W

Comfort series
40 mm not embeddable



Switching element function	AC	Make/Break function
Rated operating distance s_n	40 mm	
Installation	not embeddable	
Assured operating distance s_a	0 ... 32,4 mm	
Reduction factor r_{AI}	0,5	
Reduction factor r_{Cu}	0,45	
Reduction factor r_{V2A}	0,8	
Operating voltage U_B	20 ... 253 V ¹⁾	
Switching frequency f	0 ... 20 Hz	
Hysteresis H	1 ... 10 typ. 5 %	
Voltage drop U_d	≤ 12 V	
Momentary current (20 ms, 0.1 Hz)	0 ... 3000 mA	
Operating current I_L	8 ... 500 mA	
Off-state current I_r	0,5 ... 1,95 mA typ. 1,2 mA	
Operating voltage display	LED, green	
Indication of the switching state	LED, yellow	
Standards	EN 60947-5-2	
Ambient temperature	-25 ... 70 °C (248 ... 343 K)	
Storage temperature	-25 ... 85 °C (248 ... 358 K)	
Connection type	terminal compartment	
Core cross-section	up to 2.5 mm ²	
Housing material	PBT	
Sensing face	PBT	
Protection degree	IP68	
Note	¹⁾ In the temperature range below 0 °C, permissible operating voltage U_b 80...253 V	

Connection_type:



036686_ENG.xml

2003-12-03