



## MC - SERIES

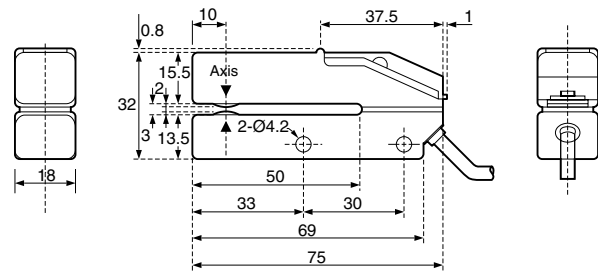
- Registration mark and label detection
- Wide detection range of colours and materials
- IP67 sealed (suitable for washdown environments)
- Green, red or blue visible light used for optimum performance
- Light-on or dark-on operation
- NPN or PNP output
- LED indication of output and stability
- Glass lenses for high resistance to wear



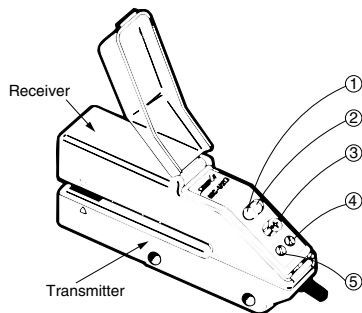
### SPECIFICATIONS

Type No.	MCU2RTC	MCU2GTC	MCU2BTC
Detection	Throughbeam slot sensor		
Range	2mm Fixed		
Power supply	12-24VDC ± 10%, 10% max. ripple		
Current consumption	22mA max.	30mA max.	24mA max.
Output rating	Open collector NPN/PNP twin output 100mA, 30VDC max.		
Operating mode	Light on/dark on selectable		
Response time	0.5mS max.		
Light source	Red LED	Green LED	Blue LED
LED indication	Output = red LED	Stability = green LED	
Sensitivity adjustment	By four turn potentiometer and high/low power switch		
Protection	Short circuit protection		
Housing	ABS resin casing with glass lenses sealed to IP67		
Connection	Flying lead 0.2mm <sup>2</sup> x 4 core, 3m long black		
Ambient light	5,000 lux max.		
Operating temperature	-25 to +55°C		
Humidity	Withstands 85% RH		

### DIMENSIONS



### PANEL DESCRIPTION

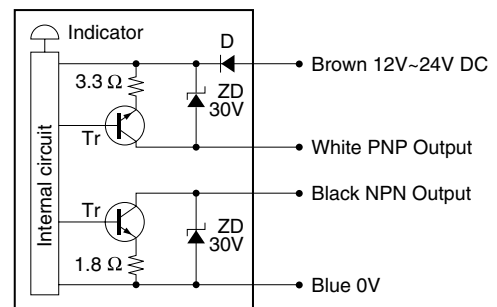


- ① O.P.L. : Output LED (Red LED)
- ② S.T.B. : Stability LED (Green LED)
- ③ SENS : Sensitivity adjustment
- ④ D-L : Light-on, Dark-on selection  
(D. side : Dark-on)  
(L. side : Light-on)
- ⑤ L-H : Light power switchable  
(L. side : Low power)  
(H. side : High power)

### WIRING

#### NPN/PNP 2 Output type

- MCU2RTC
- MCU2GTC
- MCU2BTC



Upon overload or short circuiting, the output transistor turns off.  
Power up again after removing the cause of the overload/short circuit.

### ORDERING GUIDE

Type Number	Description	Output
MCU2RTC	Throughbeam red LED	NPN & PNP
MCU2GTC	Throughbeam green LED	NPN & PNP
MCU2BTC	Throughbeam blue LED	NPN & PNP