

CATALOGUE LISTING

**CSN SERIES**  
**MTG-CSN-218**

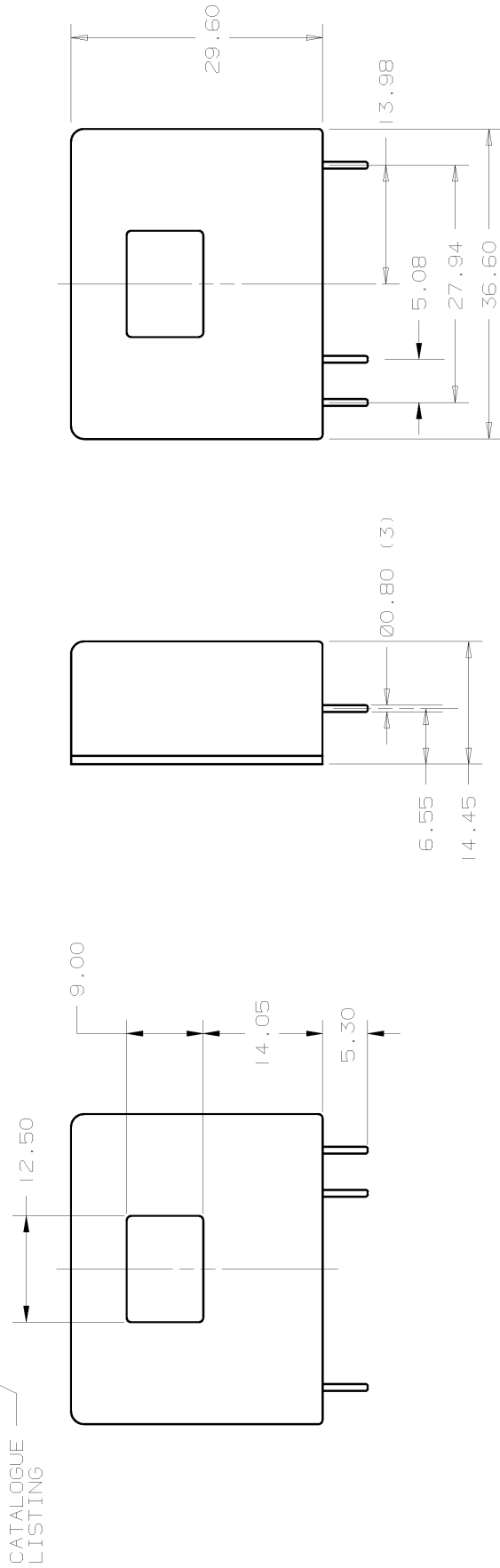
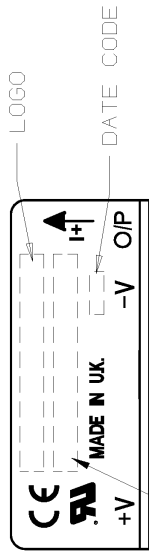
**50/100A NULL BALANCE CURRENT SENSOR**

THIS DRAWING IS FOR REFERENCE ONLY.

CAT. LISTING	ISSUE NO.	OPERATING TEMPERATURE	SUPPLY RANGE	HOUSING MATERIAL	SENSING RANGE NOMINAL	OUTPUT NOMINAL	MAXIMUM COIL RESISTANCE AT 70°C	NUMBER OF TURNS
C5NPF661	3	-40°C TO +85°C	± 12V ± 15V		50A	± 50mA	30 Ohms	1000 ± 1
C5NPF661-003	3	-40°C TO +85°C	± 12V ± 15V		50A	± 50mA	30 Ohms	1000 ± 1
C5NPF661-006	3	-40°C TO +85°C	± 12V ± 15V		50A	± 50mA	30 Ohms	1000 ± 1
C5NT651	3	-40°C TO +85°C	± 12V ± 15V		50A	± 25mA	100 Ohms	2000 ± 1
C5NG251	3	-40°C TO +85°C	+ 15V - 15V		100A	± 50mA	100 Ohms	2000 ± 1
C5NPF661	2	-40°C TO +85°C	± 12V ± 15V	GLASS FILLED P.B.T.	100A	± 100mA	30 Ohms	1000 ± 1
C5NF141	1	-25°C TO +85°C	± 12V ± 15V		100A	± 100mA	50 Ohms	1000 ± 1
C5NT651-005	1	-40°C TO +85°C	± 12V ± 15V		50A	± 25mA	100 Ohms	2000 ± 1
C5NR151-005	1	-40°C TO +85°C	± 12V ± 15V		125A	± 62.5mA	100 Ohms	2000 ± 1
C5NR161-004	1	-40°C TO +85°C	± 12V ± 15V		125A	± 125mA	30 Ohms	1000 ± 1
C5NPF651	1	-40°C TO +85°C	± 12V ± 15V		100A	± 50mA	100 Ohms	2000 ± 1

NOTES :-

1. MOUNTING HOLES 0.90 DIA.
2. INK COLOUR BLACK.



THE COPYRIGHT OF THIS DRAWING IS THE PROPERTY OF HONEYWELL LTD. THE DRAWING IS SUPPLIED IN CONFIDENCE AND MUST NOT BE USED FOR ANY PURPOSE OTHER THAN THAT FOR WHICH IT IS SUPPLIED.

THIRD ANGLE PROJECTION

SCALE :- 2/1

DIMENSIONS ARE IN MILLIMETRES

MODIFY ON CAD3D SYSTEM ONLY

DO NOT SCALE PRINT

**CSN SERIES**  
**MTG-CSN-218**



DRAWING NUMBER

5

ISSUE

2/97

DRAWN W. JOHNSTON

CHECK

DESIGN

AUTHOR N