



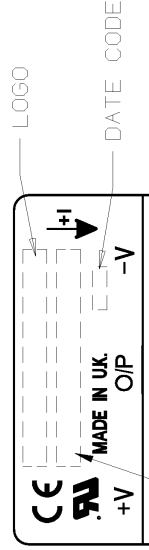
Honeywell

**100/125A NULL BALANCE CURRENT SENSOR**

CATALOGUE LISTING  
**CSN SERIES**  
**MTG-CSN-219**

THIS DRAWING IS FOR REFERENCE ONLY.

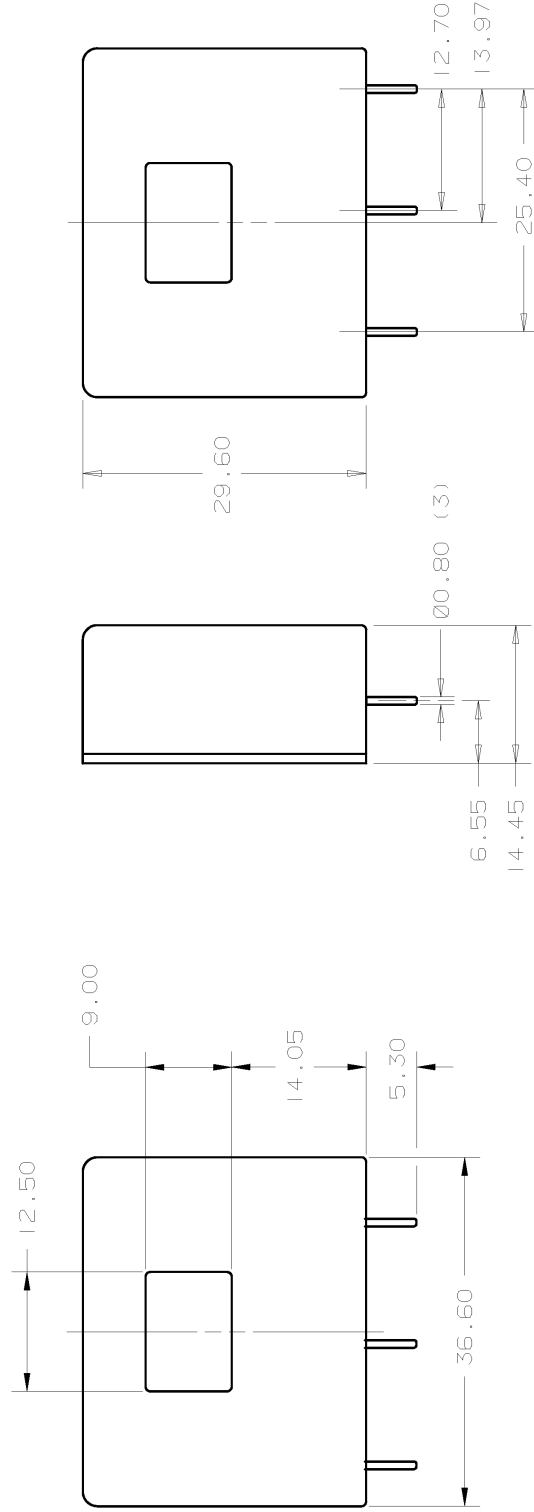
CAT. LISTING	ISSUE NO.	OPERATING TEMPERATURE	SUPPLY RANGE	HOUSING MATERIAL	SENSING RANGE		OUTPUT NOMINAL	MAXIMUM COIL RESISTANCE AT 70°C	NUMBER OF TURNS
					NOMINAL	MAXIMUM			
CSNF161	3	-40°C TO +85°C	±12V ±15V	GLASS FILLED P.B.T.	100A	150A	± 100mA	30 Ohms	1000 ± 1
CSNF161-003	3	-40°C TO +85°C	±12V ±15V		100A	150A	± 100mA	30 Ohms	1000 ± 1
CSNF161-006	3	-40°C TO +85°C	±12V ±15V		100A	150A	± 100mA	30 Ohms	1000 ± 1
CSNF151	3	-40°C TO +85°C	±12V ±15V		100A	180A	± 50mA	100 Ohms	2000 ± 1
CSNF151-002	3	-40°C TO +85°C	±12V ±15V		100A	180A	± 50mA	100 Ohms	2000 ± 1
CSNR161	3	-40°C TO +85°C	±15V ±15V		125A	200A	± 125mA	30 Ohms	1000 ± 1
CSNR151	3	-40°C TO +85°C	±15V ±15V		125A	200A	± 62.5mA	100 Ohms	2000 ± 1



NOTES:-

1. MOUNTING HOLES 0.90 DIA.
2. INK COLOUR BLACK.

CATALOGUE LISTING



THE COPYRIGHT OF THIS DRAWING IS THE PROPERTY OF HONEYWELL LTD. THE DRAWING IS SUPPLIED IN CONFIDENCE AND MUST NOT BE USED FOR ANY PURPOSE OTHER THAN THAT FOR WHICH IT IS SUPPLIED.

THIRD ANGLE PROJECTION

SCALE :- 2/1

DIMENSIONS ARE IN MILLIMETRES

MODIFY ON CAD3D SYSTEM ONLY