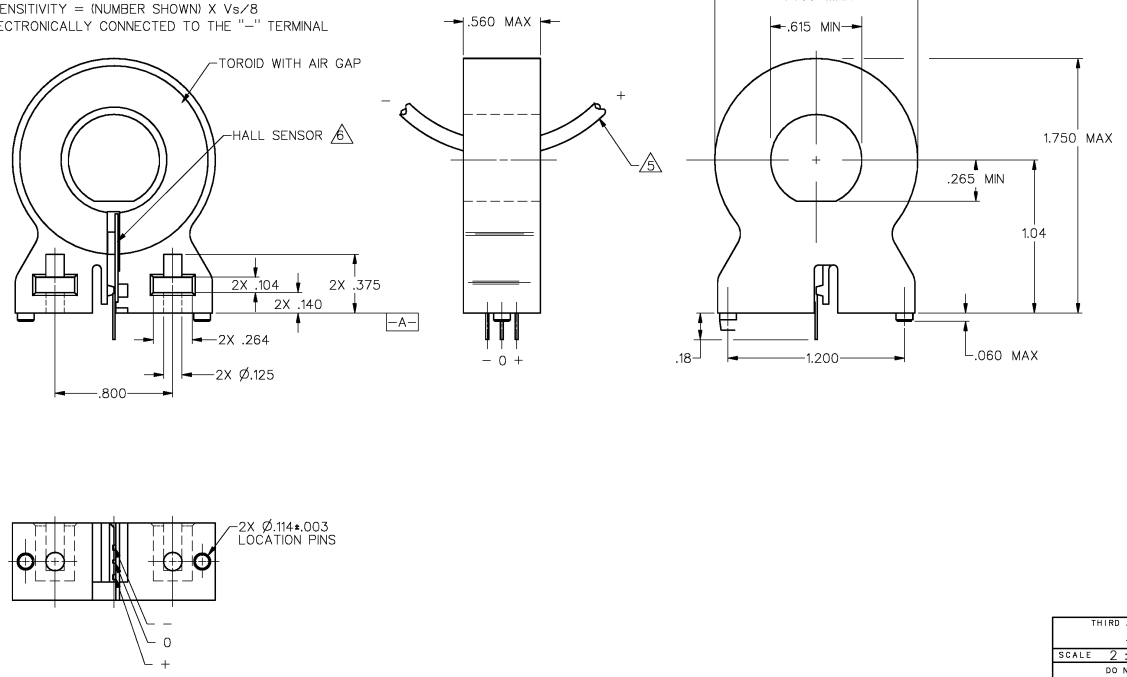
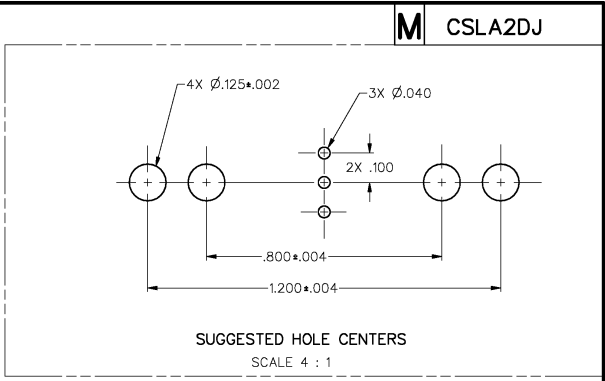


FORMTEK  
 U.S. BUREAU OF MANUFACTURING TECHNOLOGY  
 3 M  
 DRAWING NUMBER: CSLA2DJ  
 PAGE 1 OF 1  
 RELEASE NO. PR-18093  
 REVISIONS  
 1  
 2  
 3  
 4  
 5  
 6  
 7  
 8  
 9  
 10  
 11  
 12  
 13  
 14  
 15  
 16  
 17  
 18  
 19  
 20  
 21  
 22  
 23  
 24  
 25  
 26  
 27  
 28  
 29  
 30  
 31  
 32  
 33  
 34  
 35  
 36  
 37  
 38  
 39  
 40  
 41  
 42  
 43  
 44  
 45  
 46  
 47  
 48  
 49  
 50  
 51  
 52  
 53  
 54  
 55  
 56  
 57  
 58  
 59  
 60  
 61  
 62  
 63  
 64  
 65  
 66  
 67  
 68  
 69  
 70  
 71  
 72  
 73  
 74  
 75  
 76  
 77  
 78  
 79  
 80  
 81  
 82  
 83  
 84  
 85  
 86  
 87  
 88  
 89  
 90  
 91  
 92  
 93  
 94  
 95  
 96  
 97  
 98  
 99  
 100

CHARACTERISTICS					
PARAMETER	MIN	TYP	MAX	UNITS	CONDITIONS/REMARKS
SUPPLY VOLTAGE	6.0	8.0	12.0	VOLTS	-25°C TO 85°C
SUPPLY CURRENT		13	20	mA	MAX @ -25°C, TYP @ 25°C, V <sub>S</sub> = 8.0V, EXCLUDES LOAD
OUTPUT CURRENT	1			mA	SINKING OR SOURCING
OUTPUT VOLTAGE SWING	(-V)+1.25		(+V)-1.25	VOLTS	MAX CLAMPED @ 9.0 VOLTS MIN
SENSITIVITY	8.1		9.2	mV/A	@ V <sub>S</sub> = 8.0 VOLTS & 25°C $\Delta$
LINEARITY		.5	1.0	% OF SPAN	DEV FROM STR LINE FROM -1 MAX TO +1 MAX $\Delta$
V <sub>out</sub> @ 0NI	.5(V <sub>S</sub> )-2%		.5(V <sub>S</sub> )+2%	VOLTS	25°C
TEMP ERROR - NULL	-.02		+.02	%/°C	-25°C TO 85°C
TEMP ERROR - GAIN	-.06		+.01	5/°C	-25°C TO 85°C

- NOTES
- 1 - SUGGESTED 1 MAX FOR LINEAR OPERATION IS 225 AMPS
  - 2 - RECOMMENDED MOUNTING IS 4-40 SQUARE NUT @ .375 LONG 4-40 SCREW
  - 3 - CONVENTIONAL CURRENT FLOW IN DIRECTION INDICATED WILL CAUSE AN INCREASE IN OUTPUT VOLTAGE
  - 4 - THE DEVICE CANNOT BE DAMAGED BY MAGNETIC OVERDRIVE
  - 5 - AT V<sub>S</sub> OTHER THAN 8.0 VOLTS, SENSITIVITY = (NUMBER SHOWN) X V<sub>S</sub>/8
  - 6 - BACKSIDE OF HALL SENSOR IS ELECTRONICALLY CONNECTED TO THE "-" TERMINAL



THIS DRAWING COVERS A PROPRIETARY ITEM AND IS THE PROPERTY OF MICRO SWITCH, A DIVISION OF HONEYWELL. THIS DRAWING IS NOT TO BE COPIED OR USED WITHOUT THE APPROVAL OF MICRO SWITCH.

**MICRO SWITCH**  
a Honeywell Division

CATALOG LISTING  
**CSLA2DJ**

THIRD ANGLE PROJECTION	
SCALE	2 : 1
DO NOT SCALE PRINT	
UNLESS OTHERWISE SPECIFIED TOLERANCES ARE	
ONE PLACE (L0)	±.030
TWO PLACES (L00)	±.015
THREE PLACES (L000)	±.005
ANGLES	±
WEIGHT	

MASTER REDUCED

FED. MFG. CODE #1829

CURRENT SENSOR