



multibox® eurofast® Low Profile Junction Boxes, 4-Port

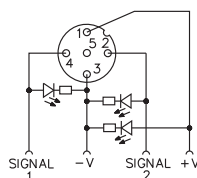
- Dual Output per port
- Rugged Plastic Housing
- Available with or without LEDs
- M23 Quick Disconnect or Integral Home Run Cable
- Threaded M12 Connection

4-port, 2 Signals Per Port, 10-30 VDC

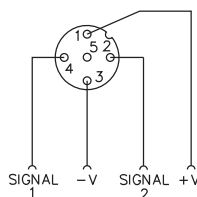
Application	Specifications	Pinout				No LEDs	PNP LED	NPN
4-port J-box 2 signals per port Integral cable	2 A/signal, 10 A total Yellow PVC cable 3/18 AWG, 8/22 AWG foil shield and 20 AWG drain	<u>Function</u> +V - V Ground Port 1, Sig 1 Port 1, Sig 2	<u>Color</u> BN BU GN / YE WH GY / PK	<u>Function</u> Port 2, Sig 1 Port 2, Sig 2 Port 3, Sig 1 Port 3, Sig 2 Port 4, Sig 1 Port 4, Sig 2	<u>Color</u> GN RD / BU YE WH / GN GY BN / GN	4MB12Z-5-*	4MB12Z-5P3-*	4MB12Z-5N3-*
4-port J-box 2 signals per port multifast connector	2 A/signal, 9 A total 19-pin multifast connector 11 conductors Mates with CKM 19-11-*	<u>Function</u> +V - V Ground Port 1, Sig 1 Port 1, Sig 2	<u>Pin / Color</u> 19 / BN 6 / BU 12 / GN / YE 15 / WH 7 / GY / PK	<u>Function</u> Port 2, Sig 1 Port 2, Sig 2 Port 3, Sig 1 Port 3, Sig 2 Port 4, Sig 1 Port 4, Sig 2	<u>Pin / Color</u> 5 / GN 4 / RD / BU 16 / YE 8 / WH / GN 3 / GY 14 / BN / GN	4MB12Z-5-CS19	4MB12Z-5P3-CS19	4MB12Z-5N3-CS19
4-port J-box 2 signals per port multifast , side exit connector	2 A/signal, 9 A total 19-pin multifast connector 11 conductors Mates with CKM 19-11-*	<u>Function</u> +V - V Ground Port 1, Sig 1 Port 1, Sig 2	<u>Pin / Color</u> 19 / Bn 6 / Bu 12 / GN / YE 15 / WH 7 / Gy / Pk	<u>Function</u> Port 2, Sig 1 Port 2, Sig 2 Port 3, Sig 1 Port 3, Sig 2 Port 4, Sig 1 Port 4, Sig 2	<u>Pin / Color</u> 5 / GN 4 / Rd / Bu 16 / YE 8 / WH / GN 3 / Gy 14 / Bn / Gn	4MB12Z-5-CS19H	4MB12Z-5P3-CS19H	4MB12Z-5N3-CS19H

Functional Wiring Diagrams

(PNP LED Version)
2 Signals Per Port



(No LED Version)
2 Signals Per Port

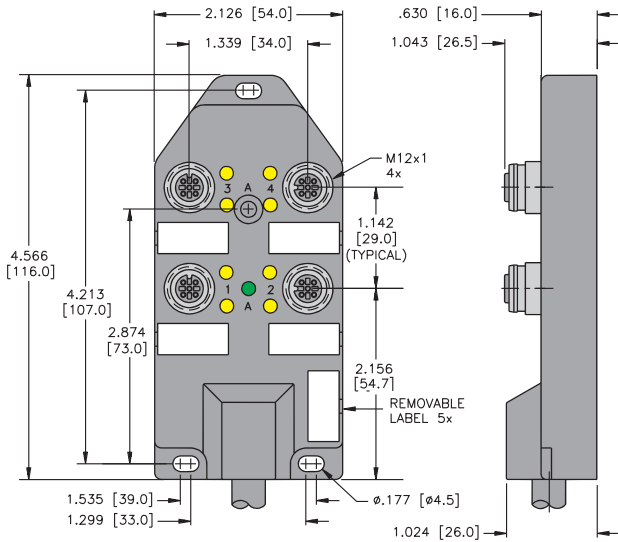


Specifications

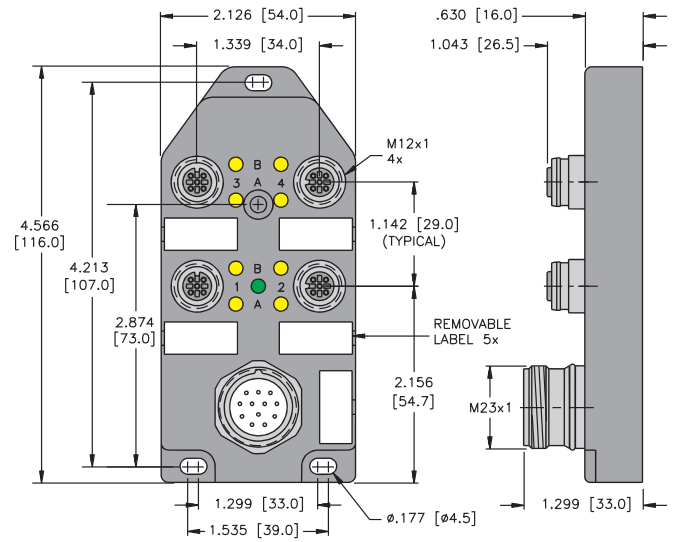
- Housing:** Nylon.
- Connectors:** **eurofast**[®]: Nylon or PUR, spacings to VDE 0110 Group C.
- Contacts:** Gold plated brass.
- Thread Inserts:** Nickel plated brass.
- Cable:** See table.
- Temperature:** -30°C to +80°C (-22°F to +176°F)
- Protection:** IEC IP 67.
- Accessories:** (2) VZ 3 closure caps and a VZ 12 label kit (5 labels) included.
- Cable Length:** Standard length is nominal 5 meters. Other lengths available by request - Consult factory.
- Recommended Splitters:** YB2-FSM 4.5-2 FKM 4.5.

Dimensions

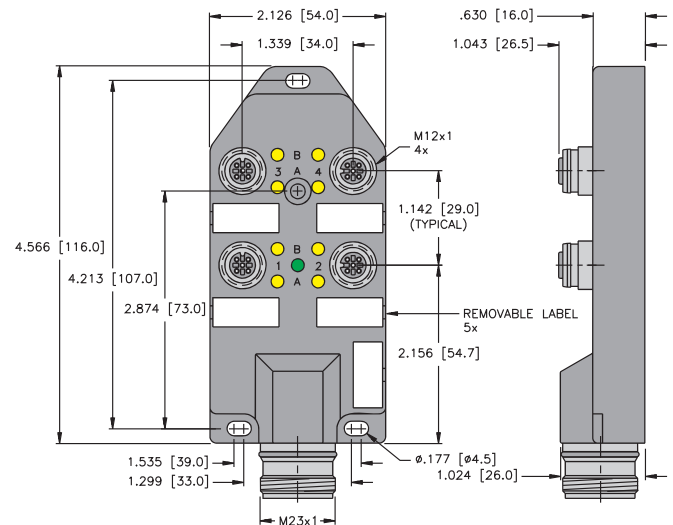
4-Port with Integral Home Run Cable



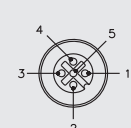
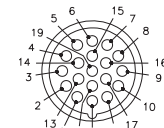
4-Port Quick Disconnect



4-Port Side Connector



Pinout

Female	Male
	
5-Pin eurofast	19-Pin multifast