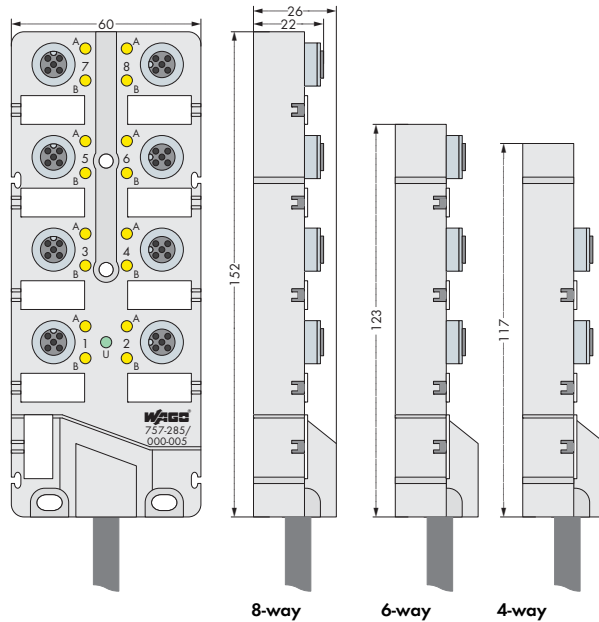


M12 Sensor/Actuator Boxes

5 poles, with cable connection



- 4-, 6- and 8-way sensor/actuator boxes
- 5 poles (2 signals per contact)
- Cable length 5 and 10 m
- Green LED operating indicator
- Yellow LED status indicator
- incl. markers (10 pcs)
- incl. M12 protective caps (2 pcs)

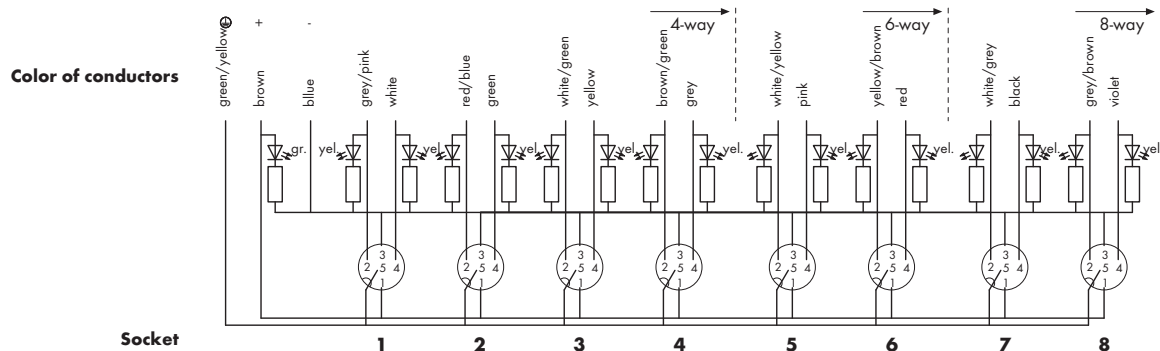
Description	Item no.	Pack. unit
M12 sensor/actuator box		
4-way, 5 poles, 5m connecting cable	757-245/000-005	1
4-way, 5 poles, 10m connecting cable	757-245/000-010	1
6-way, 5 poles, 5m connecting cable	757-265/000-005	1
6-way, 5 poles, 10m connecting cable	757-265/000-010	1
8-way, 5 poles, 5m connecting cable	757-285/000-005	1
8-way, 5 poles, 10m connecting cable	757-285/000-010	1
8-way, 5 poles, 25m connecting cable	757-285/000-010	1
Accessories		
Marker card, marking pen, spacer module and protective cap	see page 434	
IP67 cables and connectors	see pages 439 ... 446	
Approvals		
UL 508	E 175199, UL 508, Class 2 Equipment Components are designed to be supplied through Class 2 power supplies in accordance with UL 1310 or Class 2 transformers in accordance with UL 1585	

Electrical Data	
Contact resistance	≤ 10 mΩ
Operating voltage	DC 10 V ... 30 V
Current carrying capacity	2 A per signal; 9 A per SA box
Rated voltage	32 V ~ eff.
Insulation voltage	1 kV / 3 s
Insulation resistance	> 10 ⁹ Ω
Degree of pollution	3 acc. to VDE 0110
Switching function	PNP

Subject to design changes
10.09.2008

WAGO Kontakttechnik GmbH & Co. KG

Postfach 2880 • D-32385 Minden Tel.: +49(0)571/887-0 E-Mail: info@wago.com
Hansastr. 27 • D-32423 Minden Fax: +49(0)571/887-169 www.wago.com



Mechanical Data		Material Data	
Degree of protection	IP 68 acc. to EN 60529	General	Silicon and halogen free
Operating temperature	-25 °C ... +80 °C (current load according to derating curve)	Potting	Fully encapsulated with conformal coating (UL 94 V0)
Mounting	Screw mounting	Enclosure	PA 66 (UL 94 V0); RAL 7035
Dimensions (mm) W x H x L	4-way: 60 x 117 x 26 6-way: 60 x 123 x 26 8-way: 60 x 152 x 26	Contacts	I/O slot Socket, M12 x 1, 5-pole incl. PE
Weight	4-way: 165 g 6-way: 185 g 8-way: 225 g without cable	Contact	CuSn, pre-nickelized and 0.8 µm gold-plated
Mounting position	any	Tapped bush	Zn diecast nickel-plated
Vibration resistance	acc. to IEC 60068-2-6	Seal	Viton
Shock resistance	acc. to IEC 60068-2-27	Connection cycles	50
		Connecting cable	
		Cable design	Outer sheath PUR halogen-free Black
		Cable Ø	Cable end 100 mm stripped 8.2 mm SA box 4-way 8.8 mm SA box 6-way 9.7 mm SA box 8-way
		Conductor design	n x 0.34 mm ² + 3 x 1.00 mm ² conductor 0.34 mm ² extra-fine stranded 43 x 0.1 mm conductor 1.00 mm ² extra-fine stranded 55 x 0.15 mm color identification of conductors
		Suitable for drag chain applications	
		bending radius	min. 10 x cabel Ø
		amb. temperature range	-40 °C ... +90 °C stagnant; -5 °C ... +80 °C moving