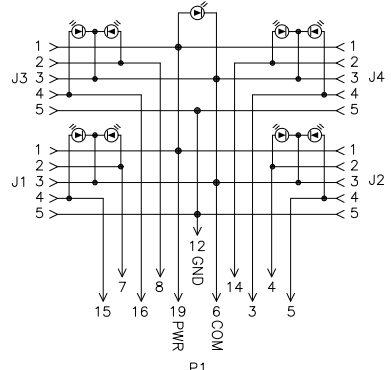
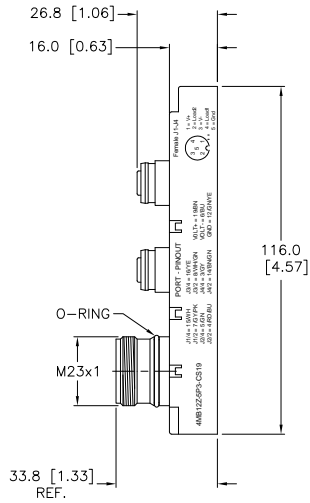
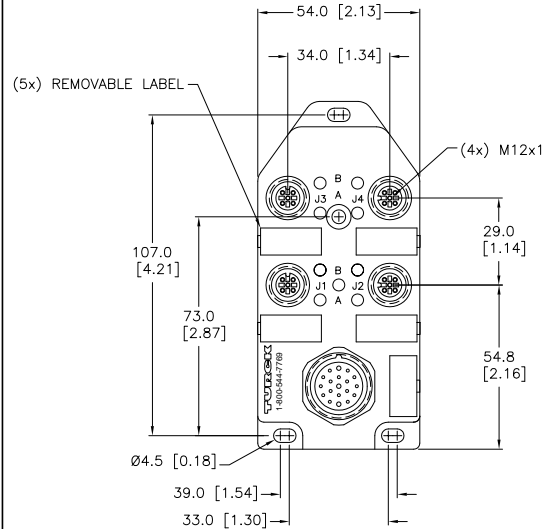
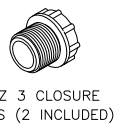


SPECIFICATIONS	
HOUSING MATERIAL/COLOR	BRASS/NICKEL
RECEPTACLE MATERIAL/PLATING	DIE-CAST ZINC/NICKEL
CONTACT CARRIERS/COLOR	NYLON/BLACK (J1-J4), PBT/WHITE (P1)
CONTACTS	BRASS/GOLD
SEALING RING	VITON O-RINGS
OPERATING VOLTAGE	10-30 VDC
OPERATING CURRENT	2.0 AMPS PER SIGNAL, 9.0 AMPS TOTAL
PROTECTION CLASS	IP 67 - ONLY WHEN ALL RECEPTACLES ARE COVERED WITH PLUGS OR CONNECTED
OPERATING TEMPERATURE	-30°C to +80°C (-25°F to +176°F)



SOURCE DRAWING - FOR REFERENCE ONLY



RELATED DOCUMENTS 1. 2. 3. 4.	3RD ANGLE PROJECTION 	THIS DRAWING IS PROPERTY OF TURCK INC. USE OF THIS DOCUMENT WITHOUT WRITTEN PERMISSION IS PROHIBITED.		3000 CAMPUS DRIVE MINNEAPOLIS, MN 55441 1-800-544-7769 (763) 553-7300 (763) 553-0708 fax turck.com	
		MATERIAL SEE SPECIFICATIONS	DRFT RDS DSGN SWC	DATE 11/23/04 SCALE 1=2	DESCRIPTION 4MB12Z-5P3-CS19
FINISH SEE SPECIFICATIONS	ALL DIMENSIONS DISPLAYED ON THIS DRAWING ARE FOR REFERENCE ONLY CONTACT TURCK FOR MORE INFORMATION	UNIT OF MEASUREMENT MILLIMETER [INCH]		IDENTIFICATION NO. E8026485	
A DRAWING RELEASE REV DESCRIPTION	RWC 10/06/09 28166 BY DATE ECO NO.	DO NOT SCALE THIS DRAWING		FILE: E8026485	REV A SHEET 1 OF 1