

# Mini Field-Attachable Connectors

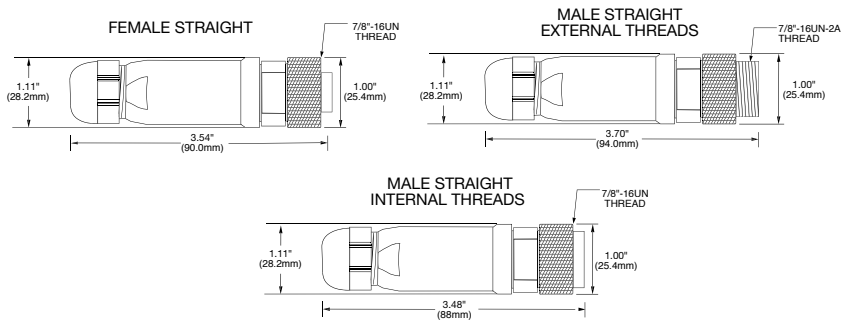
- Create the best cordset for an application: Choose your own jacket-type and lead length
- Accepts #24 - #15 AWG wire gauges
- 3- and 5-pin options



## Specifications

Specifications	
<b>MATERIAL DATA</b>	
BODY	Polyamide PA6
INSERT	Polyurethane
CABLE TYPE	Customer option
CONTACTS	Brass (gold plated)
SHELL	N/A
WIRE GAUGE	#15-#24 AWG
CABLE DIAMETER RANGE	5-12 mm
COUPLING NUT	Nickel-plated brass
GROMMET	Neoprene
<b>ELECTRICAL DATA</b>	
CONTACT RESISTANCE	≤ 5 mΩ
ELECTRICAL ISOLATION	N/A
CURRENT RATING	Refer to model number selection
VOLTAGE RATING	600 VAC/ 600 VDC
<b>ENVIRONMENT DATA</b>	
PROTECTION CLASSES	IP68
TEMPERATURE RANGE	-40 °F to +176 °F

## Dimensions (mm)



## Model Number Selection

Face View (female)	Color Code	Current Rating	Gender	Straight
	1. Green 2. Red/Black 3. Red/White	13A	F M M	V93-G ⚡ V93-G-SI ⚡ V93-G-SE ⚡
	1. Red/White 2. Red/Blue 3. Green 4. Red/Orange 5. Red/Black	8A	F M M	V95-G ● V95-G-SI ● V95-G-SE ●

- ⚡ Stocked item
- Typical delivery 4 weeks or less
- Consult factory for all other models

Subject to modifications without notice

Pepperl+Fuchs Group USA: +1 330 486 0001  
www.pepperl-fuchs.com fa-info@us.pepperl-fuchs.com

Germany: +49 621 776 0  
fa-info@de.pepperl-fuchs.com

Copyright Pepperl+Fuchs  
Singapore: +65 6779 9091  
fa-info@sg.pepperl-fuchs.com

**PF PEPPERL+FUCHS**  
SENSING YOUR NEEDS

**Specifications**

MATERIAL DATA	
MOLDED HEAD	Yellow PUR
CABLE OUTER JACKET	Yellow STOOW
CONTACTS	Brass (gold plated)
CONTACT CARRIER	PUR
COUPLING NUT	Nickel-plated copper zinc
WIRE GAUGE	16 AWG
ELECTRICAL DATA	
NOMINAL CURRENT	10 A
RATED VOLTAGE	600 V
CONTACT RESISTANCE	≤ 5 mΩ
ENVIRONMENT DATA	
PROTECTION CLASSES	IP68
TEMPERATURE RANGE	-22 °F to +221 °F

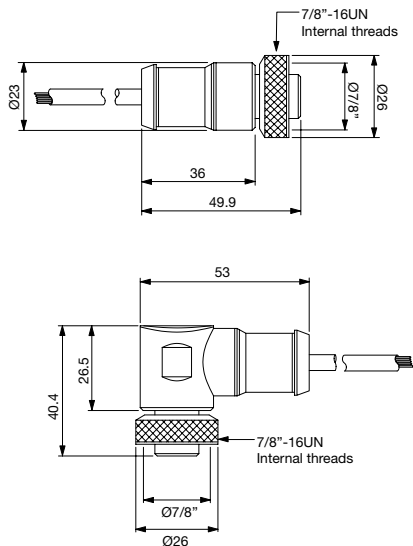
# Mini Cordsets

7/8"-16 receptacle  
AC and DC sensor  
compatibility

- Yellow STOOW cable jacket
- Female version
- #16 AWG
- 3-, 4-, and 5-pin



**Dimensions (mm)**



- ⚡ Stocked item
  - Typical delivery 4 weeks or less
- Consult factory for all other models

**Model Number Selection**

Face View (female)	Color Code	Outer Diameter (mm)	Length (m)	Straight	Right Angle
	1. Green 2. Black 3. White	10.24	2 4 10	V93-G-YE2M-STOOW ⚡ V93-G-YE4M-STOOW ⚡ V93-G-YE10M-STOOW ⚡	V93-W-YE2M-STOOW ⚡ V93-W-YE4M-STOOW ⚡ V93-W-YE10M-STOOW ⚡
	1. Black 2. White 3. Red 4. Green	10.7	2 4	V94-G-YE2M-STOOW ⚡ V94-G-YE4M-STOOW ⚡	V94-W-YE2M-STOOW ⚡ V94-W-YE4M-STOOW ⚡
	1. White 2. Red 3. Green 4. Orange 5. Black	12.6	2 4	V95-G-YE2M-STOOW ⚡ V95-G-YE4M-STOOW ⚡	V95-W-YE2M-STOOW ⚡ V95-W-YE4M-STOOW ⚡

Cordsets Mini Cordsets

Subject to modifications without notice

Pepperl+Fuchs Group USA: +1 330 486 0001  
www.pepperl-fuchs.com fa-info@us.pepperl-fuchs.com

Germany: +49 621 776 0  
fa-info@de.pepperl-fuchs.com

Copyright Pepperl+Fuchs  
Singapore: +65 6779 9091  
fa-info@sg.pepperl-fuchs.com

**PEPPERL+FUCHS**  
SENSING YOUR NEEDS

# Female Mini Receptacles

7/8"-16 receptacle  
AC and DC sensor  
compatibility

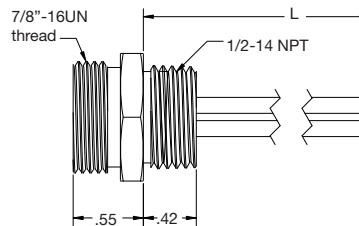
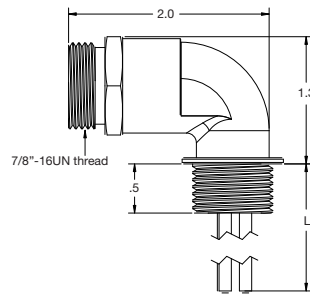
- Aluminum body
- #16 AWG
- 3-, 4-, and 5-pin



## Specifications

Specifications	
<b>MATERIAL DATA</b>	
BODY	Clear anodized aluminum
INSERT	Oil resistant
CABLE TYPE	N/A
CONTACTS	Copper alloy (gold plated)
WIRE GAUGE	#16 AWG
LEAD LENGTH (L)	12"
<b>ELECTRICAL DATA</b>	
CONTACT RESISTANCE	≤ 5 mΩ
ELECTRICAL ISOLATION	2200 VAC
CURRENT RATING	Refer to model number selection
VOLTAGE RATING	600 VAC/ 600 VDC
<b>ENVIRONMENT DATA</b>	
PROTECTION CLASSES	IP67
TEMPERATURE RANGE	-40 °F to +194 °F

## Dimensions (in.)



## Model Number Selection

Face View (female)	Color Code	Current Rating	Style	Model Number
	1. Green 2. Black 3. White	13A	Straight Right Angle	1/2NPT-V93-G-.3M • 1/2NPT-V93-W-.3M •
	1. Black 2. White 3. Red 4. Green	10A	Straight	1/2NPT-V94-G-.3M •
	1. White 2. Red 3. Green 4. Orange 5. Black	8A	Straight	1/2NPT-V95-G-.3M •

- ⚡ Stocked item
- Typical delivery 4 weeks or less
- Consult factory for all other models

Subject to modifications without notice

Pepperl+Fuchs Group  
www.pepperl-fuchs.com

USA: +1 330 486 0001  
fa-info@us.pepperl-fuchs.com

Germany: +49 621 776 0  
fa-info@de.pepperl-fuchs.com

Copyright Pepperl+Fuchs  
Singapore: +65 6779 9091  
fa-info@sg.pepperl-fuchs.com

**PF PEPPERL+FUCHS**  
SENSING YOUR NEEDS

**Specifications**

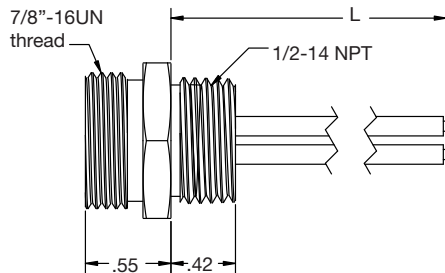
MATERIAL DATA	
BODY	Clear anodized aluminum
INSERT	PVC
CABLE TYPE	N/A
CONTACTS	Copper alloy (gold plated)
POTTING COMPOUND	Black rigid epoxy
WIRE GAUGE	#16 AWG
LEAD LENGTH (L)	12"
ELECTRICAL DATA	
CONTACT RESISTANCE	≤5mΩ
ELECTRICAL ISOLATION	2200 VAC
CURRENT RATING	Refer to model number selection
VOLTAGE RATING	600 VAC/ 600 VDC
ENVIRONMENT DATA	
PROTECTION CLASSES	IP67
TEMPERATURE RANGE	-40°F to +194°F

# Male Mini Receptacles

7/8"-16 receptacle  
AC and DC sensor  
compatibility

- Standard & automotive color codes
- Aluminum Body
- #16 AWG
- 3-, 4-, and 5-pin

**Dimensions (in.)**



**Model Number Selection**

Face View (male)	Wire Colors (standard)	Wire Colors (auto)	Current Rating	Color Code	Straight
	1. Green 2. Black 3. White	N/A	13A	Standard	1/2NPT-V93-G-S-.3M ⚡
	1. Black 2. White 3. Red 4. Green	N/A	10A	Standard	1/2NPT-V94-G-S-.3M ⚡
	1. White 2. Red 3. Green 4. Orange 5. Black	1. Red/White 2. Red/Black 3. Green 4. Red/Orange 5. Red/Black	8A 8A	Standard Auto	1/2NPT-V95-G-S-.3M ⚡ 1/2NPT-V95A-G-S-.3M ⚡

- ⚡ Stocked item
- Typical delivery 4 weeks or less  
Consult factory for all other models

Cordsets Mini Cordsets

Subject to modifications without notice

Pepperl+Fuchs Group  
www.pepperl-fuchs.com

USA: +1 330 486 0001  
fa-info@us.pepperl-fuchs.com

Germany: +49 621 776 0  
fa-info@de.pepperl-fuchs.com

Copyright Pepperl+Fuchs  
Singapore: +65 6779 9091  
fa-info@sg.pepperl-fuchs.com

**PEPPERL+FUCHS**  
SENSING YOUR NEEDS

# Micro DC Field-Attachable Connectors

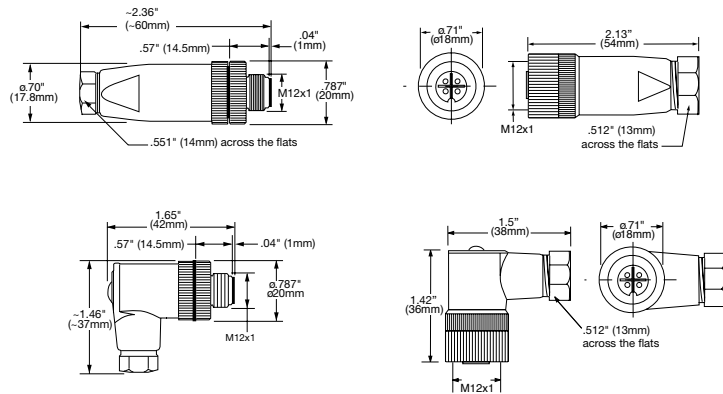
- Create the best cordset for an application: Choose your own jacket-type and lead length
- Accepts #18 AWG wire
- Male and female styles
- 4- and 5-pin design



## Specifications

MATERIAL DATA	
BODY	Black nylon
INSERT	PVC
CABLE TYPE	Customer option
CONTACTS	Brass (gold plated)
SHELL	N/A
WIRE GAUGE	#18 AWG
COUPLING NUT	Nickel-plated diecast zinc
ELECTRICAL DATA	
CONTACT RESISTANCE	≤ 5 mΩ
ELECTRICAL ISOLATION	N/A
CURRENT RATING	4 A
VOLTAGE RATING	300 VAC/ 300 VDC
ENVIRONMENT DATA	
PROTECTION CLASSES	IP67
TEMPERATURE RANGE	-13 °F to +194 °F (-25 °C to +90 °C)

## Dimensions (mm)



## Model Number Selection

Gender	No. of Pins	Straight	Right Angle	Cable Diameter Range (mm)
Female	4	V1-G	V1-W	4-6
Male		V1S-G	V1S-W	
Female	5	V15-G PG9		6-8
Male		V15-G-S PG9		

- ⚡ Stocked item
- Typical delivery 4 weeks or less
- Consult factory for all other models

Subject to modifications without notice

Pepperl+Fuchs Group USA: +1 330 486 0001  
www.pepperl-fuchs.com fa-info@us.pepperl-fuchs.com

Germany: +49 621 776 0  
fa-info@de.pepperl-fuchs.com

Copyright Pepperl+Fuchs  
Singapore: +65 6779 9091  
fa-info@sg.pepperl-fuchs.com

**PF PEPPERL+FUCHS**  
SENSING YOUR NEEDS

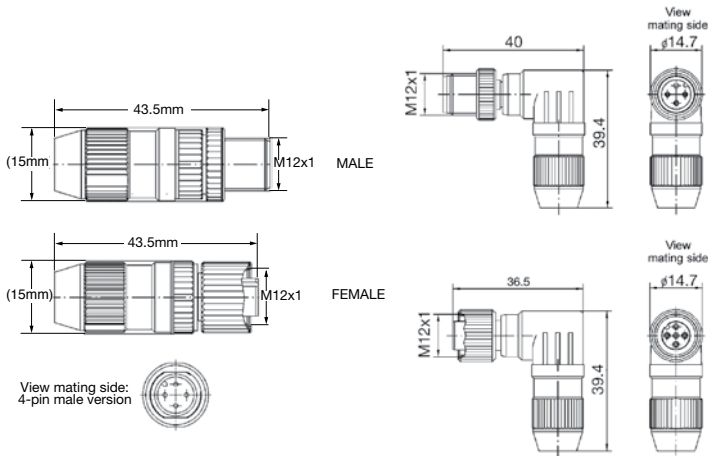
**Specifications**

MATERIAL DATA	
BODY	Metal/PVC
INSERT	PVC
CABLE TYPE	Customer option
CONTACTS	Brass (gold plated)
SHELL	N/A
WIRE GAUGE	#15-#24 AWG
COUPLING NUT	Aluminum
ELECTRICAL DATA	
CONTACT RESISTANCE	≤ 5 mΩ
ELECTRICAL ISOLATION	N/A
CURRENT RATING	4 A
VOLTAGE RATING	300 VAC/ 300 VDC
ENVIRONMENT DATA	
PROTECTION CLASSES	IP67
TEMPERATURE RANGE	-13 °F to +185 °F (-25 °C to +85 °C)

# Micro DC Field-Attachable Connectors

- Create the best cordset for an application: Choose your own jacket-type and lead length
- Insulation displacement contact terminations provide quick assembly
- Accepts #24 & 22 AWG wire
- Male and female styles
- Rugged metal housing
- 4-pin design

**Dimensions (mm)**



**Model Number Selection**

Straight	Gender	Right Angle	Gender	Cable Diameter Range (mm)
V1-G-IDC ⚡	Female	V1-W-IDC ⚡	Female	4-5.1
V1-G-S-IDC ⚡	Male	V1-W-S-IDC ⚡	Male	

- ⚡ Stocked item
- Typical delivery 4 weeks or less
- Consult factory for all other models

Subject to modifications without notice

Pepperl+Fuchs Group  
www.pepperl-fuchs.com

USA: +1 330 486 0001  
fa-info@us.pepperl-fuchs.com

Germany: +49 621 776 0  
fa-info@de.pepperl-fuchs.com

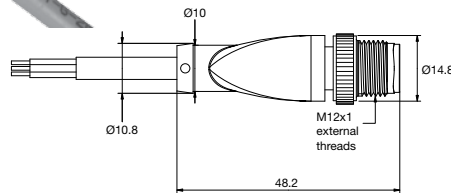
Copyright Pepperl+Fuchs  
Singapore: +65 6779 9091  
fa-info@sg.pepperl-fuchs.com

**PEPPERL+FUCHS**  
SENSING YOUR NEEDS

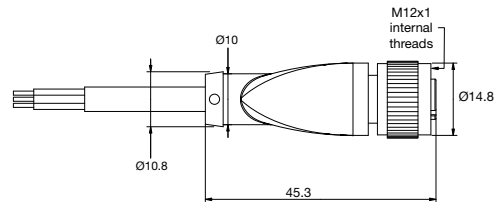
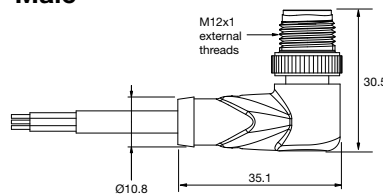
# Gray PVC Micro Cordsets

12 mm receptacle DC sensor compatibility

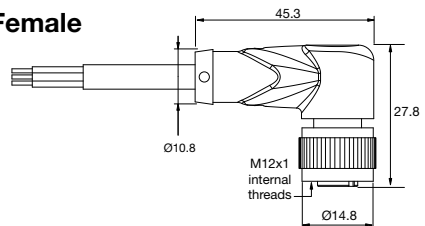
- Single key
- Gray PVC cable jacket
- #22 AWG
- Female or male connection
- 4- and 5-pin



Male



Female



## Specifications

### MATERIAL DATA

MOLDED HEAD	Green, flame-resistant PVC or PUR
INSERT	PUR
CABLE TYPE	Gray, flexible PVC jacket
CONTACTS	Machined copper and tin over gold
CONTACT PLATING	Copper and tin over nickel
SHELL	N/A
WIRE GAUGE	#22 AWG
COUPLING NUT	Copper and tin over nickel
CABLE OUTER DIAMETER	4.5 mm

### ELECTRICAL DATA

CONTACT RESISTANCE	≤ 5 mΩ
ELECTRICAL ISOLATION	1500 VAC
CURRENT RATING	4 A
VOLTAGE RATING (4/5 pole)	300 VDC/60 VDC

### ENVIRONMENT DATA

PROTECTION CLASSES	IP68/69K
TEMPERATURE RANGE	-13 °F to +212 °F

## Dimensions (mm)

- ⚡ Stocked item
  - Typical delivery 4 weeks or less
- Consult factory for all other models

## Model Number Selection

Face View (female)	Color Code	Length (m)	Female Straight	Female Right Angle	Male Straight	Male Right Angle
	1. Brown	2	V1-G-2M-PVC ⚡	V1-W-2M-PVC ⚡	V1S-G-2M-PVC ⚡	V1S-W-2M-PVC ⚡
	2. White	5	V1-G-5M-PVC ⚡	V1-W-5M-PVC ⚡	V1S-G-5M-PVC ⚡	V1S-W-5M-PVC ⚡
	3. Blue	10	V1-G-10M-PVC ⚡	V1-W-10M-PVC ⚡	V1S-G-10M-PVC ⚡	V1S-W-10M-PVC ⚡
	4. Black	15	V1-G-15M-PVC ●	V1-W-15M-PVC ●	V1S-G-15M-PVC ●	V1S-W-15M-PVC ●
	5. Not used	20	V1-G-20M-PVC ●	V1-W-20M-PVC ●		
	1. Brown	2	V15-G-2M-PVC ⚡	V15-W-2M-PVC ⚡	V15S-G-2M-PVC ⚡	
	2. White	5	V15-G-5M-PVC ⚡	V15-W-5M-PVC ⚡	V15S-G-5M-PVC ⚡	
	3. Blue	10	V15-G-10M-PVC ⚡	V15-W-10M-PVC ⚡	V15S-G-10M-PVC ●	

Subject to modifications without notice

Pepperl+Fuchs Group USA: +1 330 486 0001  
www.pepperl-fuchs.com fa-info@us.pepperl-fuchs.com

Germany: +49 621 776 0  
fa-info@de.pepperl-fuchs.com

Copyright Pepperl+Fuchs Singapore: +65 6779 9091  
fa-info@sg.pepperl-fuchs.com



**Specifications**

MATERIAL DATA	
MOLDED HEAD	Green, flame-resistant PVC or PUR
INSERT	PUR
CABLE TYPE	Gray, flexible PUR jacket
CONTACTS	Machined copper and tin over gold
CONTACT PLATING	Copper and tin over nickel
SHELL	N/A
WIRE GAUGE	#22 AWG
COUPLING NUT	Copper and tin over nickel
CABLE OUTER DIAMETER	4.5 mm
ELECTRICAL DATA	
CONTACT RESISTANCE	≤ 5 mΩ
ELECTRICAL ISOLATION	1500 VAC
CURRENT RATING	4 A
VOLTAGE RATING (4/5 pole)	300 VDC/60 VDC
ENVIRONMENT DATA	
PROTECTION CLASSES	IP68/69K
TEMPERATURE RANGE	-13 °F to +212 °F

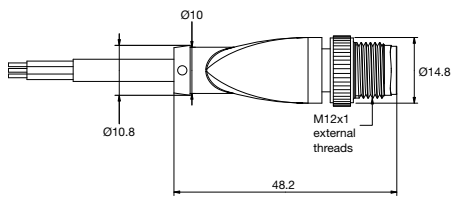
# Gray PUR Micro Cordsets

12 mm receptacle  
DC sensor compatibility

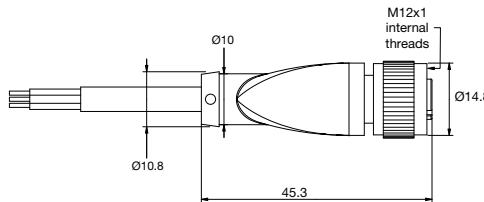
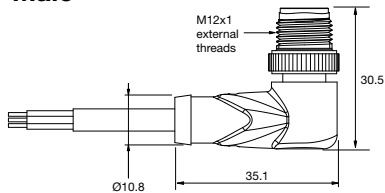
- Single key
- Gray PUR cable jacket
- #22 AWG
- Female or male connection
- 4- and 5-pin
- Halogen free



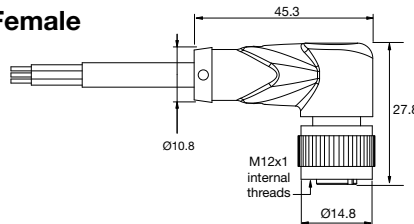
Cordsets Micro Cordsets



**Male**



**Female**



- ⚡ Stocked item
  - Typical delivery 4 weeks or less
- Consult factory for all other models

## Model Number Selection

Face View (female)	Color Code	Length (m)	Female Straight	Female Right Angle	Male Straight	Male Right Angle
	1. Brown	2	V1-G-2M-PUR ⚡	V1-W-2M-PUR ⚡	V1S-G-2M-PUR ⚡	V1S-W-2M-PUR ⚡
	2. White	5	V1-G-5M-PUR ⚡	V1-W-5M-PUR ⚡	V1S-G-5M-PUR ⚡	V1S-W-5M-PUR ⚡
	3. Blue	10	V1-G-10M-PUR ⚡	V1-W-10M-PUR ⚡	V1S-G-10M-PUR •	V1S-W-10M-PUR •
	4. Black	15	V1-G-15M-PUR •	V1-W-15M-PUR •		
	5. Not used	20	V1-G-20M-PUR •	V1-W-20M-PUR •		
	1. Brown	2	V15-G-2M-PUR ⚡	V15-W-2M-PUR ⚡		
	2. White	5	V15-G-5M-PUR ⚡	V15-W-5M-PUR ⚡		
	3. Blue	10	V15-G-10M-PUR ⚡	V15-W-10M-PUR ⚡		

Subject to modifications without notice

Pepperl+Fuchs Group USA: +1 330 486 0001  
www.pepperl-fuchs.com fa-info@us.pepperl-fuchs.com

Germany: +49 621 776 0  
fa-info@de.pepperl-fuchs.com

Copyright Pepperl+Fuchs  
Singapore: +65 6779 9091  
fa-info@sg.pepperl-fuchs.com

**PEPPERL+FUCHS**  
SENSING YOUR NEEDS



# Yellow PVC Micro Cordsets

12 mm receptacle  
DC sensor compatibility

- Single key
- Yellow PVC cable jacket
- Female or male connection
- #22 AWG
- 4- and 5-pin



## Specifications

### MATERIAL DATA

MOLDED HEAD	Yellow TPU
CABLE OUTER JACKET	Yellow PVC
CONTACTS	Brass (nickel & gold plated)
CONTACT CARRIER	TPU with 20% glass fiber
COUPLING NUT	Nickel-plated diecast zinc
WIRE GAUGE	22 AWG
CABLE OUTER DIAMETER	5.5 mm

### ELECTRICAL DATA

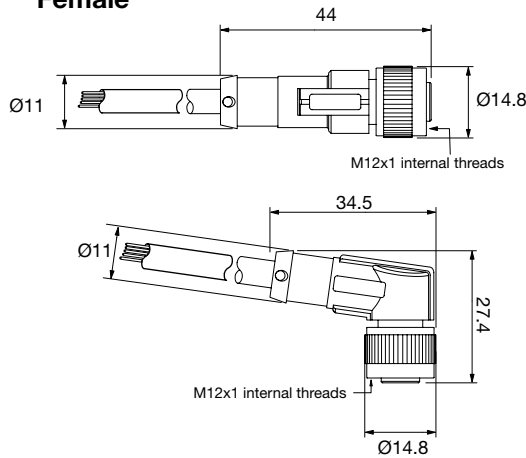
NOMINAL CURRENT	4 A
RATED VOLTAGE (4/5 pole)	300 V/125 V
CONTACT RESISTANCE	≤ 5 mΩ

### ENVIRONMENT DATA

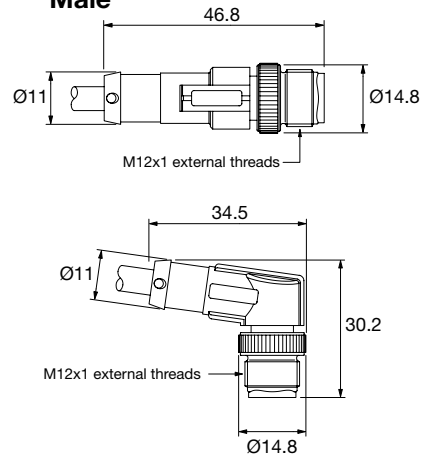
PROTECTION CLASSES	IP68/69K
TEMPERATURE RANGE	-22 °F to +221 °F

## Dimensions (mm)

### Female



### Male



⚡ Stocked item

- Typical delivery 4 weeks or less
- Consult factory for all other models

## Model Number Selection

Face View (female)	Color Code	Length (m)	Female Straight	Female Right Angle	Male Straight	Male Right Angle
	1. Brown	2	V1-G-YE2M-PVC ⚡	V1-W-YE2M-PVC ⚡	V1-G-S-YE2M-PVC ⚡	V1-W-S-YE2M-PVC ⚡
	2. White	5	V1-G-YE5M-PVC ⚡	V1-W-YE5M-PVC ⚡	V1-G-S-YE5M-PVC ⚡	V1-W-S-YE5M-PVC ⚡
	3. Blue	10	V1-G-YE10M-PVC ⚡	V1-W-YE10M-PVC ⚡		
	4. Black	20	V1-G-YE20M-PVC ⚡	V1-W-YE20M-PVC ⚡		
	5. Not used					
	1. Brown	2	V15-G-YE2M-PVC ⚡	V15-W-YE2M-PVC ⚡		
	2. White	5	V15-G-YE5M-PVC ⚡	V15-W-YE5M-PVC ⚡		
	3. Blue					
	4. Black					
	5. Green					

Subject to modifications without notice

**Specifications**

MATERIAL DATA	
MOLDED HEAD	Yellow TPU
CABLE OUTER JACKET	Yellow PUR
CONTACTS	Brass (nickel & gold plated)
CONTACT CARRIER	TPU with 20% glass fiber
COUPLING NUT	Nickel-plated diecast zinc
WIRE GAUGE	22 AWG
CABLE OUTER DIAMETER	5.2 mm
ELECTRICAL DATA	
NOMINAL CURRENT	4 A
RATED VOLTAGE	300 V
CONTACT RESISTANCE	≤ 5 mΩ
ENVIRONMENT DATA	
PROTECTION CLASSES	IP68/69K
TEMPERATURE RANGE	-13 °F to +176 °F

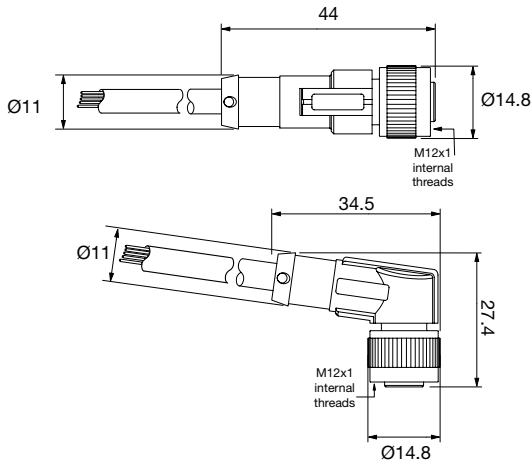
# Yellow PUR Micro Cordsets

12 mm receptacle  
DC sensor compatibility

- Single key
- Yellow PUR cable jacket
- Female connection
- #22 AWG
- 4-pin
- Halogen free



**Dimensions (mm)**



**Model Number Selection**

Face View (female)	Color Code	Length (m)	Straight	Right Angle
	1. Brown	2	V1-G-YE2M-PUR ⚡	V1-W-YE2M-PUR ⚡
	2. White	5	V1-G-YE5M-PUR ⚡	V1-W-YE5M-PUR ⚡
	3. Blue	10	V1-G-YE10M-PUR ⚡	V1-W-YE10M-PUR ⚡
	4. Black			
	5. Not used			

- ⚡ Stocked item
- Typical delivery 4 weeks or less
- Consult factory for all other models

Subject to modifications without notice

Pepperl+Fuchs Group  
www.pepperl-fuchs.com

USA: +1 330 486 0001  
fa-info@us.pepperl-fuchs.com

Germany: +49 621 776 0  
fa-info@de.pepperl-fuchs.com

Copyright Pepperl+Fuchs  
Singapore: +65 6779 9091  
fa-info@sg.pepperl-fuchs.com

**PEPPERL+FUCHS**  
SENSING YOUR NEEDS

# Yellow Irradiated PUR Micro Cordsets

12 mm receptacle  
DC sensor compatibility

- 4-pin single key design
- Yellow irradiated PUR cable jacket
- Female version
- #18 AWG
- Ideal for welding applications
- Halogen free



## Specifications

### MATERIAL DATA

MOLDED HEAD	Yellow TPU
CABLE OUTER JACKET	Yellow irradiated PUR
CONTACTS	Brass (nickel & gold plated)
CONTACT CARRIER	TPU with 20% glass fiber
COUPLING NUT	Nickel-plated diecast zinc
WIRE GAUGE	18 AWG
CABLE OUTER DIAMETER	6.2 mm

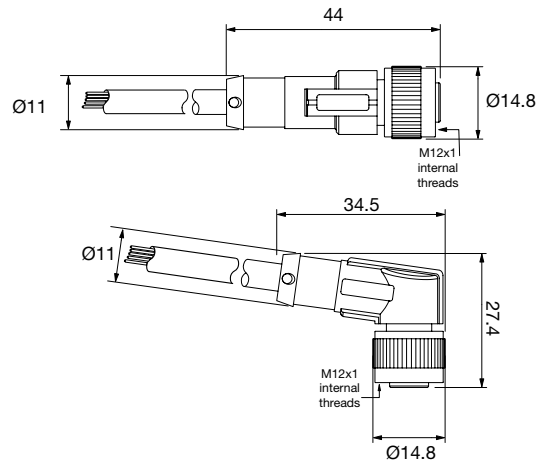
### ELECTRICAL DATA

NOMINAL CURRENT	4 A
RATED VOLTAGE	300 V
CONTACT RESISTANCE	≤ 5 mΩ

### ENVIRONMENT DATA

PROTECTION CLASSES	IP68/69K
TEMPERATURE RANGE	-40 °F to +221 °F

## Dimensions (mm)



- ⚡ Stocked item
- Typical delivery 4 weeks or less  
Consult factory for all other models

## Model Number Selection

Face View (female)	Color Code	Length (m)	Straight	Right Angle
	1. Brown	2	V1-G-YE2M-PUR-H/S ⚡	V1-W-YE2M-PUR-H/S ⚡
	2. White	5	V1-G-YE5M-PUR-H/S ⚡	V1-W-YE5M-PUR-H/S ⚡
	3. Blue	10	V1-G-YE10M-PUR-H/S ⚡	V1-W-YE10M-PUR-H/S ⚡
	4. Black			
	5. Not used			

Subject to modifications without notice

Pepperl+Fuchs Group USA: +1 330 486 0001  
www.pepperl-fuchs.com fa-info@us.pepperl-fuchs.com

Germany: +49 621 776 0  
fa-info@de.pepperl-fuchs.com

Copyright Pepperl+Fuchs  
Singapore: +65 6779 9091  
fa-info@sg.pepperl-fuchs.com



**Specifications**

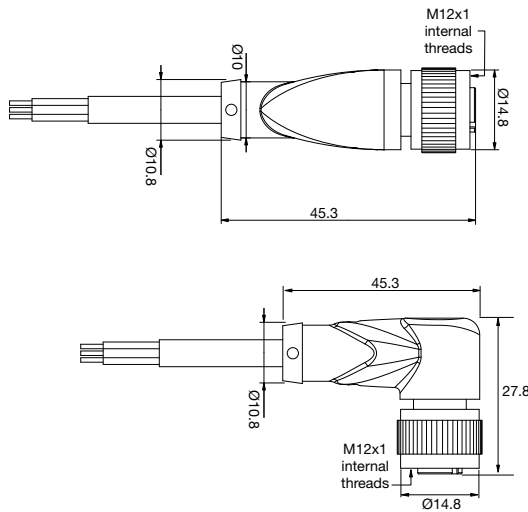
MATERIAL DATA	
MOLDED HEAD	Green TPU
CABLE OUTER JACKET	Orange irradiated PUR
CONTACTS	Brass (nickel & gold plated)
CONTACT CARRIER	TPE
COUPLING NUT	Nickel-plated diecast zinc
WIRE GAUGE	22 AWG
CABLE OUTER DIAMETER	4.8 mm
ELECTRICAL DATA	
NOMINAL CURRENT	4 A
RATED VOLTAGE	300 V
CONTACT RESISTANCE	≤ 5 mΩ
ENVIRONMENT DATA	
PROTECTION CLASSES	IP68/69K
TEMPERATURE RANGE	-40 °F to +221 °F

# Orange Irradiated PUR Micro Cordsets

12 mm receptacle  
DC sensor compatibility

- 4-pin single key design
- Orange irradiated PUR cable jacket
- Female version
- #22 AWG
- Ideal for welding applications
- Halogen free

**Dimensions (mm)**



Cordsets Micro Cordsets

- ⚡ Stocked item
- Typical delivery 4 weeks or less
- Consult factory for all other models

**Model Number Selection**

Face View (female)	Color Code	Length (m)	Straight	Right Angle
	1. Brown	2	V1-G-2M-PUR H/S ⚡	V1-W-2M-PUR H/S ⚡
	2. White	5	V1-G-5M-PUR H/S ⚡	V1-W-5M-PUR H/S ⚡
	3. Blue	10	V1-G-10M-PUR H/S ⚡	V1-W-10M-PUR H/S ⚡
	4. Black	20	V1-G-20M-PUR H/S ⚡	V1-W-20M-PUR H/S ⚡
	5. Not used			•

Subject to modifications without notice

Pepperl+Fuchs Group  
www.pepperl-fuchs.com

USA: +1 330 486 0001  
fa-info@us.pepperl-fuchs.com

Germany: +49 621 776 0  
fa-info@de.pepperl-fuchs.com

Copyright Pepperl+Fuchs  
Singapore: +65 6779 9091  
fa-info@sg.pepperl-fuchs.com

**PEPPERL+FUCHS**  
SENSING YOUR NEEDS

# Braided Cable Micro Cordsets

12 mm receptacle  
DC sensor compatibility

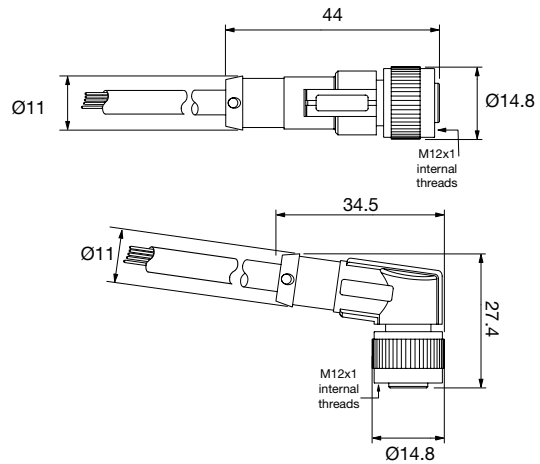
- Straight & right angle versions
- Yellow PVC coated AWM braided cable
- Female connection
- #22 AWG
- 4-pin



## Specifications

Specifications	
<b>MATERIAL DATA</b>	
MOLDED HEAD	Yellow TPU
CABLE OUTER JACKET	Yellow PVC
CONTACTS	Brass (nickel & gold plated)
CONTACT CARRIER	TPU with 20% glass fiber
COUPLING NUT	Nickel-plated diecast zinc
SHIELD/COVERAGE	Copper braid, min. 85% coverage; mylar foil wrap
WIRE GAUGE	22 AWG
CABLE OUTER DIAMETER	5.9 mm
<b>ELECTRICAL DATA</b>	
NOMINAL CURRENT	4 A
RATED VOLTAGE	300 V
CONTACT RESISTANCE	≤ 5 mΩ
<b>ENVIRONMENT DATA</b>	
PROTECTION CLASSES	IP68/69K
TEMPERATURE RANGE	-22 °F to +221 °F

## Dimensions (mm)



- ⚡ Stocked item
- Typical delivery 4 weeks or less
- Consult factory for all other models

## Model Number Selection

Face View (female)	Color Code	Length (m)	Straight	Right Angle
	1. Brown	2 5	V1-G-YE2M-PVC-ABG ⚡	V1-W-YE2M-PVC-ABG ⚡
	2. White		V1-G-YE5M-PVC-ABG ⚡	V1-W-YE5M-PVC-ABG ⚡
	3. Blue			
	4. Black			
	5. Not used			

Subject to modifications without notice

Pepperl+Fuchs Group USA: +1 330 486 0001  
www.pepperl-fuchs.com fa-info@us.pepperl-fuchs.com

Germany: +49 621 776 0  
fa-info@de.pepperl-fuchs.com

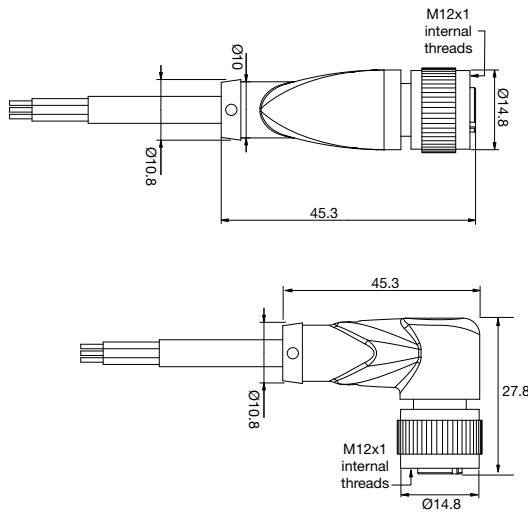
Copyright Pepperl+Fuchs  
Singapore: +65 6779 9091  
fa-info@sg.pepperl-fuchs.com



**Specifications**

MATERIAL DATA	
BODY	Blue PUR
INSERT	Black PUR
CABLE TYPE	Blue, flexible PUR jacket
CONTACTS	Machined copper and tin over gold
CONTACT PLATING	Copper and tin over nickel
SHELL	N/A
WIRE GAUGE	#22 AWG
COUPLING NUT	Copper and tin over nickel
ELECTRICAL DATA	
CONTACT RESISTANCE	≤ 5 mΩ
ELECTRICAL ISOLATION	1600 VAC
CURRENT RATING	3 A
VOLTAGE RATING	300 DC
ENVIRONMENT DATA	
PROTECTION CLASSES	NEMA 1,3,4, 6P, 13/IEC IP68
TEMPERATURE RANGE	-13 °F to +194 °F

**Dimensions (mm)**



**Intrinsic Safety  
Micro Cordsets**

12 mm receptacle  
DC sensor compatibility

- Single key
- Blue PUR cable jacket
- Female version
- #22 AWG
- 2-pin
- For use with NAMUR proximity sensors



**Model Number Selection**

Face View (female)	Color Code	Length (m)	Straight	Right Angle
	1. Brown	2	V1-G-N-2M-PUR ⚡	V1-W-N-2M-PUR ⚡
	2. Blue	5	V1-G-N-5M-PUR ⚡	V1-W-N-5M-PUR ⚡
	3. Not used	10	V1-G-N-10M-PUR ⚡	V1-W-N-10M-PUR ⚡
	4. Not used	15	V1-G-N-15M-PUR ●	V1-W-N-15M-PUR ●
	5. Not used	25	V1-G-N-25M-PUR ●	V1-W-N-25M-PUR ●

- ⚡ Stocked item
- Typical delivery 4 weeks or less
- Consult factory for all other models

Subject to modifications without notice

Pepperl+Fuchs Group  
www.pepperl-fuchs.com

USA: +1 330 486 0001  
fa-info@us.pepperl-fuchs.com

Germany: +49 621 776 0  
fa-info@de.pepperl-fuchs.com

Copyright Pepperl+Fuchs  
Singapore: +65 6779 9091  
fa-info@sg.pepperl-fuchs.com

**PEPPERL+FUCHS**  
SENSING YOUR NEEDS

# Micro Cordsets with Power & Output LEDs

12 mm receptacle  
DC sensor compatibility

- Single key
- Yellow PVC cable jacket
- Female version
- #22 AWG
- 3-pin



## Specifications

### MATERIAL DATA

MOLDED HEAD	Yellow TPU
CABLE OUTER JACKET	Yellow PVC
CONTACTS	Brass (nickel & gold plated)
CONTACT CARRIER	TPU with 20% glass fiber
COUPLING NUT	Nickel-plated diecast zinc
WIRE GAUGE	22 AWG
CABLE OUTER DIAMETER	5.2 mm

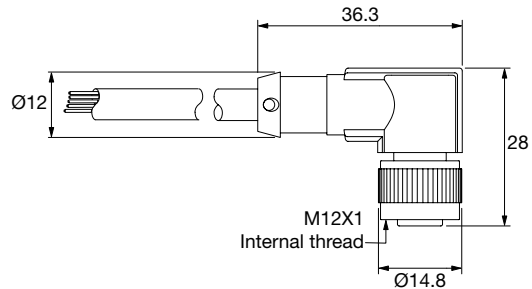
### ELECTRICAL DATA

NOMINAL CURRENT	4 A
RATED VOLTAGE	24 V
CONTACT RESISTANCE	≤ 5 mΩ

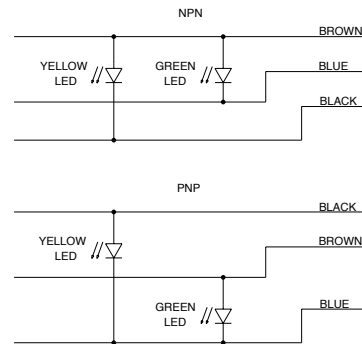
### ENVIRONMENT DATA

PROTECTION CLASSES	IP67
TEMPERATURE RANGE	-22 °F to +221 °F

## Dimensions (mm)



## Wiring Information



## Model Number Selection

Face View (female)	Color Code	Electrical Output	Length (m)	Straight
	1. Brown	NPN	2	V1-W-E0-YE2M-PVC ⚡
	2. Not used	PNP	2	V1-W-E2-YE2M-PVC ⚡
	3. Blue	NPN	5	V1-W-E0-YE5M-PVC ⚡
	4. Black	PNP	5	V1-W-E2-YE5M-PVC ⚡
	5. Not used			

- ⚡ Stocked item
- Typical delivery 4 weeks or less
- Consult factory for all other models

Subject to modifications without notice

Pepperl+Fuchs Group  
www.pepperl-fuchs.com

USA: +1 330 486 0001  
fa-info@us.pepperl-fuchs.com

Germany: +49 621 776 0  
fa-info@de.pepperl-fuchs.com

Copyright Pepperl+Fuchs  
Singapore: +65 6779 9091  
fa-info@sg.pepperl-fuchs.com

**PEPPERL+FUCHS**  
SENSING YOUR NEEDS

## Micro Cordsets

12 mm receptacle  
DC sensor compatibility

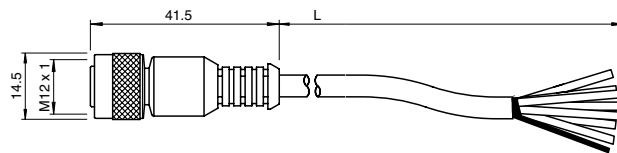
- 8-pin single key design
- PUR cable jacket
- #24 AWG
- Female connection
- Shielded and unshielded cordsets

Cordsets Micro Cordsets

### Specifications

Specifications	
<b>MATERIAL DATA</b>	
MOLDED HEAD	Black PUR
INSERT	PUR
CABLE TYPE	Black PUR jacket
CONTACTS	Machined copper and tin over gold
CONTACT PLATING	Gold
WIRE GAUGE	#24 AWG
SHIELD/COVERAGE	Braid, min. 85% Coverage
COUPLING NUT	Nickel-plated zinc
CABLE OUTER DIAMETER	6.0 mm
<b>ELECTRICAL DATA</b>	
CONTACT RESISTANCE	≤ 5 mΩ
ELECTRICAL ISOLATION	1500 VAC
CURRENT RATING	2 A
VOLTAGE RATING	60 VDC
<b>ENVIRONMENT DATA</b>	
PROTECTION CLASSES	IP67
TEMPERATURE RANGE	-13 °F to +194 °F

### Dimensions (mm)



### Model Number Selection

Face View (female)	Color Code	Length (m)	Model Number
		2	V17-G-2M-PUR ⚡
		5	V17-G-5M-PUR ⚡
		10	V17-G-10M-PUR ⚡
		2	V19-G-BK2M-PUR ⚡
		5	V19-G-BK5M-PUR ⚡
		10	V19-G-BK10M-PUR ⚡
		2	V19-G-2M-PUR-ABG ⚡
		5	V19-G-5M-PUR-ABG ⚡
		20	V19-G-20M-PUR-ABG •

- ⚡ Stocked item
- Typical delivery 4 weeks or less
- Consult factory for all other models

Subject to modifications without notice

Pepperl+Fuchs Group  
www.pepperl-fuchs.com

USA: +1 330 486 0001  
fa-info@us.pepperl-fuchs.com

Germany: +49 621 776 0  
fa-info@de.pepperl-fuchs.com

Copyright Pepperl+Fuchs  
Singapore: +65 6779 9091  
fa-info@sg.pepperl-fuchs.com

**PEPPERL+FUCHS**  
SENSING YOUR NEEDS

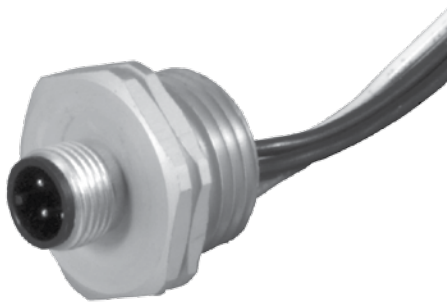
823



# DC Micro Receptacles

1/2" NPT installation thread

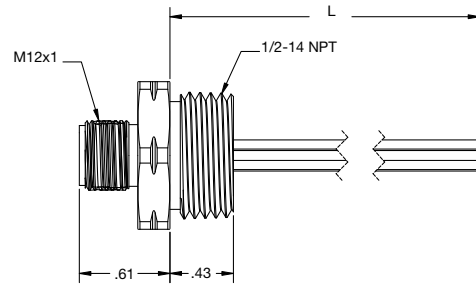
- Standard color codes
- Machined aluminum housing
- Male connection
- #22 AWG
- 5-pin, 4-wire receptacle



## Specifications

Specifications	
<b>MATERIAL DATA</b>	
BODY	Clear anodized aluminum
INSERT	Polyamide
CONTACTS	Copper alloy (gold plated)
WIRE GAUGE	#22 AWG
LEAD LENGTH (L)	12"
<b>ELECTRICAL DATA</b>	
CONTACT RESISTANCE	≤ 5 mΩ
ELECTRICAL ISOLATION	N/A
CURRENT RATING	3 A
VOLTAGE RATING	600 VAC/ 600 VDC
<b>ENVIRONMENT DATA</b>	
PROTECTION CLASSES	IP67
TEMPERATURE RANGE	-40 °F to +221 °F

## Dimensions (in.)



## Model Number Selection

Face View (male)	Color Code	Current Rating	Size	Straight
	1. Brown 2. White 3. Blue 4. Black 5. Not used	3A	1/2" NPT	1/2NPT-V1-G-S-.3M ⚡

- ⚡ Stocked item
- Typical delivery 4 weeks or less
- Consult factory for all other models

Subject to modifications without notice

Pepperl+Fuchs Group  
www.pepperl-fuchs.com

USA: +1 330 486 0001  
fa-info@us.pepperl-fuchs.com

Germany: +49 621 776 0  
fa-info@de.pepperl-fuchs.com

Copyright Pepperl+Fuchs  
Singapore: +65 6779 9091  
fa-info@sg.pepperl-fuchs.com

**PEPPERL+FUCHS**  
SENSING YOUR NEEDS

**Specifications**

MATERIAL DATA	
MOLDED HEAD	Yellow TPU
CABLE OUTER JACKET	Yellow PVC
CONTACTS	Brass (nickel & gold plated)
CONTACT CARRIER	TPU with 20% glass fiber
COUPLING NUT	Nickel-plated brass
WIRE GAUGE	22 AWG
ELECTRICAL DATA	
NOMINAL CURRENT	4 A
RATED VOLTAGE	300V/125V (4- and 5-pin)
CONTACT RESISTANCE	≤ 5 mΩ
ENVIRONMENT DATA	
PROTECTION CLASSES	IP67
TEMPERATURE RANGE	-22 °F to +221 °F

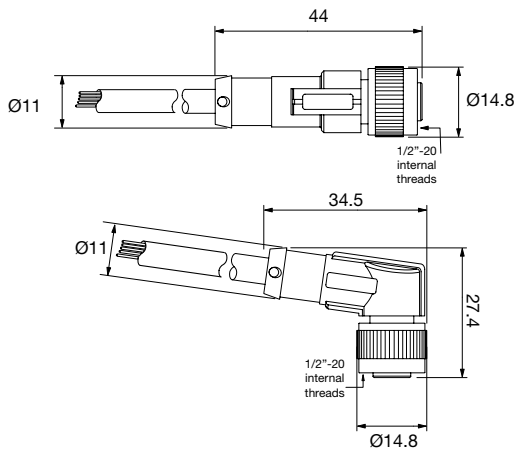
# AC Micro Cordsets

For connection to P+F “V12”, “V124” and “V125” type sensors

- Dual key
- Yellow PVC cable jacket
- Straight or right angle
- Female connection
- #22 AWG
- 3-, 4-, and 5-pin design



**Dimensions (mm)**



- ⚡ Stocked item
  - Typical delivery 4 weeks or less
- Consult factory for all other models

Model Number Selection							
Face View (female)	Color Code	Outer Diameter (mm)	Length (m)	Straight		Right Angle	
	1. Green 2. Red/Black 3. Red/White	5.2	2 5 10	V12-G-YE2M-PVC ⚡ V12-G-YE5M-PVC ⚡ V12-G-YE10M-PVC ⚡		V12-W-YE2M-PVC ⚡ V12-W-YE5M-PVC ⚡ V12-W-YE10M-PVC ⚡	
	1. Red/Black 2. Red/White 3. Red 4. Green	5.5	2 5	V124-G-YE2M-PVC ⚡ V124-G-YE5M-PVC ⚡		V124-W-YE2M-PVC ⚡ V124-W-YE5M-PVC ⚡	
	1. Red/White 2. Red 3. Green 4. Red/Yellow 5. Red/Black	5.9	2 5	V125-G-YE2M-PVC ⚡ V125-G-YE5M-PVC ⚡		V125-W-YE2M-PVC ⚡ V125-W-YE5M-PVC ⚡	

Subject to modifications without notice

Pepperl+Fuchs Group  
www.pepperl-fuchs.com

USA: +1 330 486 0001  
fa-info@us.pepperl-fuchs.com

Germany: +49 621 776 0  
fa-info@de.pepperl-fuchs.com

Copyright Pepperl+Fuchs  
Singapore: +65 6779 9091  
fa-info@sg.pepperl-fuchs.com

**PEPPERL+FUCHS**  
SENSING YOUR NEEDS

# AC Micro Cordsets

For connection to P+F "V11" type sensors

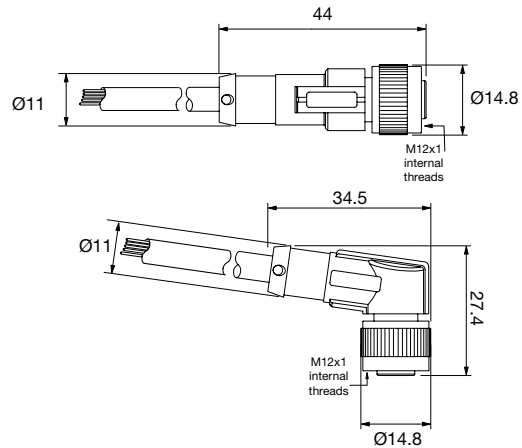
- Single key, B-coded
- Yellow PVC cable jacket
- Straight or right angle
- Female connection
- #22 AWG
- 4-pin, 3-wire design



## Specifications

Specifications	
<b>MATERIAL DATA</b>	
MOLDED HEAD	Yellow TPU
CABLE OUTER JACKET	Yellow PVC
CONTACTS	Brass (nickel & gold plated)
CONTACT CARRIER	TPU with 20% glass fiber
COUPLING NUT	Nickel-plated diecast zinc
WIRE GAUGE	22 AWG
CABLE OUTER DIAMETER	5.2 mm
<b>ELECTRICAL DATA</b>	
NOMINAL CURRENT	4 A
RATED VOLTAGE	300V/125V
CONTACT RESISTANCE	≤ 5 mΩ
<b>ENVIRONMENT DATA</b>	
PROTECTION CLASSES	IP68/69K
TEMPERATURE RANGE	-22 °F to +221 °F

## Dimensions (mm)



- ⚡ Stocked item
  - Typical delivery 4 weeks or less
- Consult factory for all other models

## Model Number Selection

Face View (female)	Color Code	Length (m)	Straight	Right Angle
	1. Black	2	V11B-G-YE2M-PVC ⚡	V11B-W-YE2M-PVC ⚡
	2. Blue	4	V11B-G-YE4M-PVC ⚡	V11B-W-YE4M-PVC ⚡
	3. Not used			
	4. Yellow/Green			

Subject to modifications without notice

Pepperl+Fuchs Group  
www.pepperl-fuchs.com

USA: +1 330 486 0001  
fa-info@us.pepperl-fuchs.com

Germany: +49 621 776 0  
fa-info@de.pepperl-fuchs.com

Copyright Pepperl+Fuchs  
Singapore: +65 6779 9091  
fa-info@sg.pepperl-fuchs.com

**PEPPERL+FUCHS**  
SENSING YOUR NEEDS

**Specifications**

MATERIAL DATA	
MOLDED HEAD	Yellow TPU
CABLE OUTER JACKET	Yellow irradiated PUR
CONTACTS	Brass (nickel & gold plated)
CONTACT CARRIER	TPU with 20% glass fiber
COUPLING NUT	Nickel-plated brass
WIRE GAUGE	18 AWG
CABLE OUTER DIAMETER	5.8 mm
ELECTRICAL DATA	
NOMINAL CURRENT	4 A
RATED VOLTAGE	300 V
CONTACT RESISTANCE	≤ 5 mΩ
ENVIRONMENT DATA	
PROTECTION CLASSES	IP68/IP69K
TEMPERATURE RANGE	-40°F to +176°F

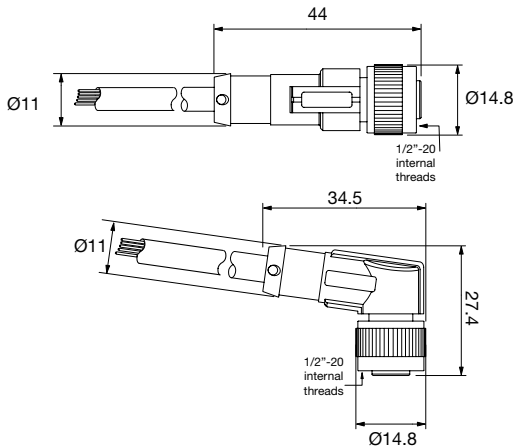
# Irradiated PUR AC Micro Cordsets

For connection to P+F “V12”  
type sensors

- 3-pin, dual key design
- Yellow irradiated PUR cable jacket
- Female connection
- #18 AWG
- Ideal for welding applications
- Halogen free

Cordsets  
Micro Cordsets

**Dimensions (mm)**



**Model Number Selection**

Face View (male)	Color Code	Length (m)	Straight	Right Angle
	1. Green 2. Red/Black 3. Red/White	2 5	V12-G-YE2M-PUR-H/S ⚡ V12-G-YE5M-PUR-H/S ⚡	V12-W-YE2M-PUR-H/S ⚡ V12-W-YE5M-PUR-H/S ⚡

- ⚡ Stocked item
- Typical delivery 4 weeks or less
- Consult factory for all other models

Subject to modifications without notice

Pepperl+Fuchs Group  
www.pepperl-fuchs.com

USA: +1 330 486 0001  
fa-info@us.pepperl-fuchs.com

Germany: +49 621 776 0  
fa-info@de.pepperl-fuchs.com

Copyright Pepperl+Fuchs  
Singapore: +65 6779 9091  
fa-info@sg.pepperl-fuchs.com

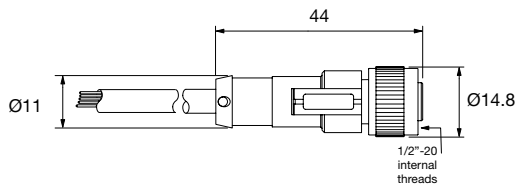
**PEPPERL+FUCHS**  
SENSING YOUR NEEDS

827

**Specifications**

MATERIAL DATA	
MOLDED HEAD	Yellow TPU
CABLE OUTER JACKET	Yellow PVC
CONTACTS	Brass (nickel & gold plated)
CONTACT CARRIER	TPU with 20% glass fiber
COUPLING NUT	Nickel-plated diecast zinc
SHIELD/COVERAGE	Copper braid, min. 85% coverage; mylar foil wrap
WIRE GAUGE	22 AWG
CABLE OUTER DIAMETER	5.9 mm
ELECTRICAL DATA	
NOMINAL CURRENT	4 A
RATED VOLTAGE	300 V
CONTACT RESISTANCE	≤ 5 mΩ
ENVIRONMENT DATA	
PROTECTION CLASSES	IP68/69K
TEMPERATURE RANGE	-22°F to +221°F

**Dimensions (mm)**



# AC Micro Cordsets with Braided Shield

For connection to P+F “V12” type sensors

- 3-pin, dual key design
- Yellow PVC cable jacket
- Female connection
- #22 AWG
- Braided shield



**Model Number Selection**

Face View (female)	Color Code	Length (m)	Straight
	1. Green	2	V12-G-YE2M-PVC-ABG ⚡
	2. Red/Black 3. Red/White	5	V12-G-YE5M-PVC-ABG ⚡

- ⚡ Stocked item
- Typical delivery 4 weeks or less
- Consult factory for all other models

Subject to modifications without notice

Pepperl+Fuchs Group  
www.pepperl-fuchs.com

USA: +1 330 486 0001  
fa-info@us.pepperl-fuchs.com

Germany: +49 621 776 0  
fa-info@de.pepperl-fuchs.com

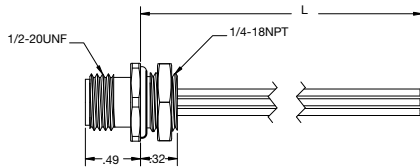
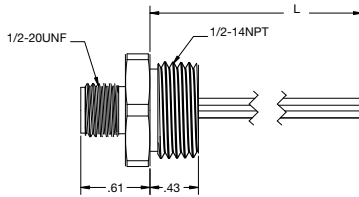
Copyright Pepperl+Fuchs  
Singapore: +65 6779 9091  
fa-info@sg.pepperl-fuchs.com

**PEPPERL+FUCHS**  
SENSING YOUR NEEDS

**Specifications**

MATERIAL DATA	
BODY	Clear anodized aluminum
INSERT	Polyamide
CONTACTS	Copper alloy (gold plated)
WIRE GAUGE	#22 AWG
LEAD LENGTH (L)	12"
ELECTRICAL DATA	
CONTACT RESISTANCE	≤ 5 mΩ
ELECTRICAL ISOLATION	N/A
CURRENT RATING	3 A
VOLTAGE RATING	300 V
ENVIRONMENT DATA	
PROTECTION CLASSES	IP67
TEMPERATURE RANGE	-40 °F to +221 °F

**Dimensions (in.)**



**AC Micro Receptacles**  
1/4" & 1/2" NPT installation thread

- Dual key design
- Male receptacle
- Aluminum housing
- #22 AWG wire
- 3- and 4-pin design



**Model Number Selection**

Face View (male)	Color Code	Current Rating	Size	Male
	1. Green 2. Red/Black 3. Red/White	3A	1/2" NPT	1/2NPT-V12-G-S-.076M ⚡
	1. Red/Black 2. Red/White 3. Red 4. Green	3A 3A	1/4" NPT 1/2" NPT	1/4NPT-V124-G-S-.076M ⚡ 1/2NPT-V124-G-S-.076M ●

- ⚡ Stocked item
- Typical delivery 4 weeks or less
- Consult factory for all other models

Subject to modifications without notice

Pepperl+Fuchs Group  
www.pepperl-fuchs.com

USA: +1 330 486 0001  
fa-info@us.pepperl-fuchs.com

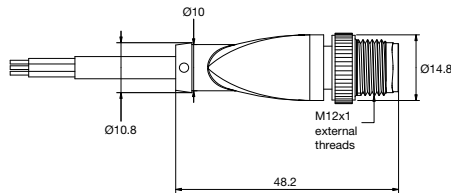
Germany: +49 621 776 0  
fa-info@de.pepperl-fuchs.com

Copyright Pepperl+Fuchs  
Singapore: +65 6779 9091  
fa-info@sg.pepperl-fuchs.com

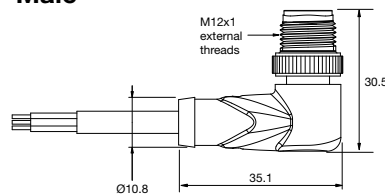
**PEPPERL+FUCHS**  
SENSING YOUR NEEDS

# Gray PVC or PUR DC Micro Extension Cables

- Single key
- Gray PVC or PUR (halogen-free) cable jacket
- #22 AWG
- Male to female
- Straight or right angle heads
- 4-pin



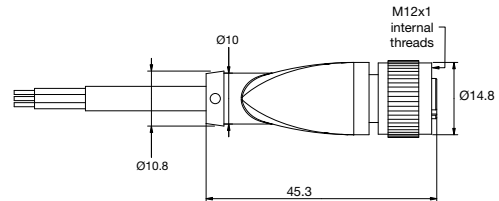
Male



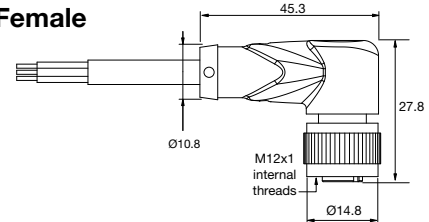
## Specifications

MATERIAL DATA	
BODY	Green, flame-resistant PVC or PUR
INSERT	PUR
CABLE TYPE	Gray, flexible PVC or PUR jacket
CONTACTS	Machined copper and tin over gold
CONTACT PLATING	Copper and tin over nickel
SHELL	N/A
WIRE GAUGE	#22 AWG
COUPLING NUT	Copper and tin over nickel
CABLE OUTER DIAMETER	4.5 mm
ELECTRICAL DATA	
CONTACT RESISTANCE	≤ 5 mΩ
ELECTRICAL ISOLATION	1500 VAC
CURRENT RATING	4 A
VOLTAGE RATING	250 VDC
ENVIRONMENT DATA	
PROTECTION CLASSES	IP68
TEMPERATURE RANGE	-40 °F to +176 °F

## Dimensions (mm)



Female



- ⚡ Stocked item
  - Typical delivery 4 weeks or less
- Consult factory for all other models

## Model Number Selection

Face View (female)	Color Code	Length (m)	Female Straight to Male Straight	Female Straight to Male Right Angle	Female Right Angle to Male Straight
	1. Brown 2. White 3. Blue 4. Black 5. Not used	2	V1-G-2M-PVC-V1-G ⚡	V1-G-2M-PVC-V1-W ⚡	V1-W-2M-PVC-V1-G ⚡
		5	V1-G-5M-PVC-V1-G ⚡	V1-G-5M-PVC-V1-W ⚡	V1-W-5M-PVC-V1-G ⚡
		10	V1-G-10M-PVC-V1-G •	V1-G-10M-PVC-V1-W •	V1-W-10M-PVC-V1-G •
		2	V1-G-2M-PUR-V1-G ⚡	V1-G-2M-PUR-V1-W ⚡	V1-W-2M-PUR-V1-G ⚡
		5	V1-G-5M-PUR-V1-G ⚡	V1-G-5M-PUR-V1-W ⚡	V1-W-5M-PUR-V1-G ⚡
		10	V1-G-10M-PUR-V1-G •	V1-G-10M-PUR-V1-W •	V1-W-10M-PUR-V1-G •
		0.5 to 2.5 (coiled)	V1-G-0.5/2.5M-PUR-V1-G ⚡	V1-G-0.5/2.5M-PUR-V1-W ⚡	V1-W-0.5/2.5M-PUR-V1-G ⚡

Subject to modifications without notice

**Specifications**

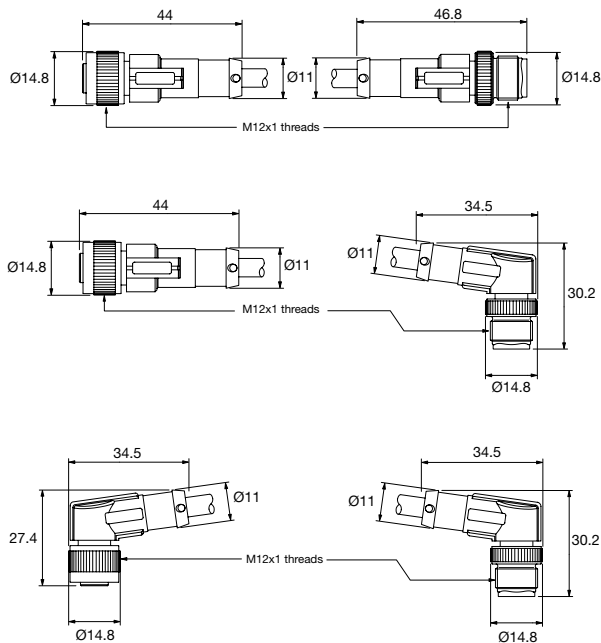
MATERIAL DATA	
MOLDED HEAD	Yellow TPU
CABLE OUTER JACKET	Yellow PVC
CONTACTS	Brass (nickel & gold plated)
CONTACT CARRIER	TPU with 20% glass fiber
COUPLING NUT	Nickel-plated diecast zinc
WIRE GAUGE	22 AWG
CABLE OUTER DIAMETER	5.5 mm
ELECTRICAL DATA	
NOMINAL CURRENT	4 A
RATED VOLTAGE	300 V
CONTACT RESISTANCE	≤ 5 mΩ
ENVIRONMENT DATA	
PROTECTION CLASSES	IP68/69K
TEMPERATURE RANGE	-22°F to +221°F

# Yellow PVC DC Micro Extension Cables

- Single key
- Yellow PVC cable jacket
- #22 AWG
- Male to female
- Straight or right angle heads
- 4-pin



**Dimensions (mm)**



Cordsets Micro Extension Cables

**Model Number Selection**

Face View (female)	Color Code	Length (m)	Female Straight to Male Straight	Female Straight to Male Right Angle	Female Right Angle to Male Right Angle
	1. Brown 2. White 3. Blue 4. Black 5. Not used	2 5 10	V1-G-YE2M-PVC-V1-G ⚡ V1-G-YE5M-PVC-V1-G ⚡ V1-G-YE10M-PVC-V1-G •	V1-G-YE2M-PVC-V1-W ⚡ V1-G-YE5M-PVC-V1-W ⚡ V1-G-YE10M-PVC-V1-W •	V1-W-YE2M-PVC-V1-W ⚡ V1-W-YE5M-PVC-V1-W ⚡ V1-W-YE10M-PVC-V1-W •

⚡ Stocked item  
• Typical delivery 4 weeks or less  
Consult factory for all other models

Subject to modifications without notice

Pepperl+Fuchs Group  
www.pepperl-fuchs.com

USA: +1 330 486 0001  
fa-info@us.pepperl-fuchs.com

Germany: +49 621 776 0  
fa-info@de.pepperl-fuchs.com

Copyright Pepperl+Fuchs  
Singapore: +65 6779 9091  
fa-info@sg.pepperl-fuchs.com

**PEPPERL+FUCHS**  
SENSING YOUR NEEDS



# Orange Irradiated PUR DC Micro Extension Cables

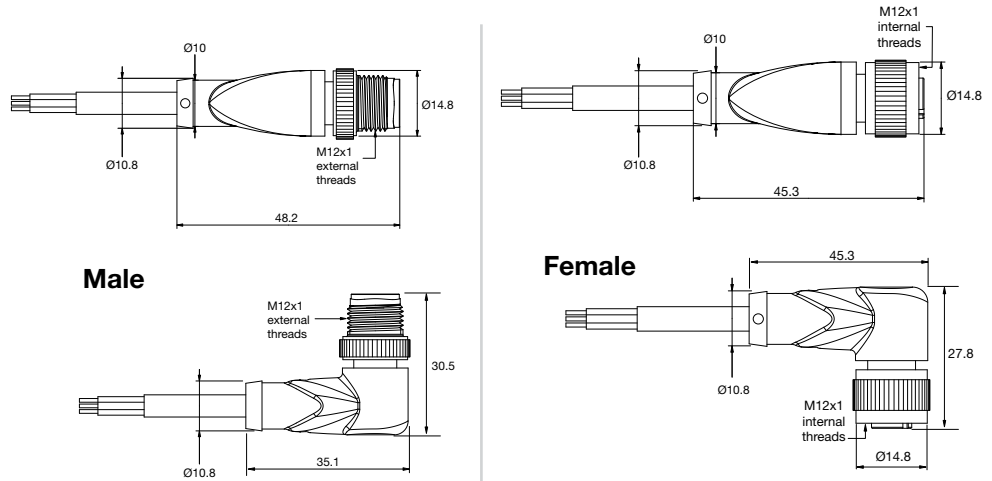
- 4-pin, single key
- Orange irradiated PUR cable jacket
- #22 AWG
- Male to female
- Straight or right angle heads
- Ideal for welding applications
- Halogen free



## Specifications

Specifications	
<b>MATERIAL DATA</b>	
MOLDED HEAD	Green TPU
CABLE OUTER JACKET	Orange irradiated PUR
CONTACTS	Brass (nickel & gold plated)
CONTACT CARRIER	TPE
COUPLING NUT	Nickel-plated diecast zinc
WIRE GAUGE	22 AWG
CABLE OUTER DIAMETER	4.8 mm
<b>ELECTRICAL DATA</b>	
NOMINAL CURRENT	4 A
RATED VOLTAGE	300 V
CONTACT RESISTANCE	≤ 5 mΩ
<b>ENVIRONMENT DATA</b>	
PROTECTION CLASSES	IP68/69K
TEMPERATURE RANGE	-40 °F to +221 °F

## Dimensions (mm)



⚡ Stocked item  
 • Typical delivery 4 weeks or less  
 Consult factory for all other models

## Model Number Selection

Face View (female)	Color Code	Length (m)	Female Straight to Male Straight	Female Straight to Male Right Angle	Female Right Angle to Male Straight
	1. Brown 2. White 3. Blue 4. Black 5. Not used	2 5 10	V1-G-2M-PUR H/S-V1-G ⚡ V1-G-5M-PUR H/S-V1-G ⚡ V1-G-10M-PUR H/S-V1-G •	V1-G-2M-PUR H/S-V1-W ⚡ V1-G-5M-PUR H/S-V1-W ⚡ V1-G-10M-PUR H/S-V1-W •	V1-W-2M-PUR H/S-V1-G ⚡ V1-W-5M-PUR H/S-V1-G ⚡ V1-W-10M-PUR H/S-V1-G •

Subject to modifications without notice

Pepperl+Fuchs Group USA: +1 330 486 0001  
 www.pepperl-fuchs.com fa-info@us.pepperl-fuchs.com

Germany: +49 621 776 0  
 fa-info@de.pepperl-fuchs.com

Copyright Pepperl+Fuchs  
 Singapore: +65 6779 9091  
 fa-info@sg.pepperl-fuchs.com

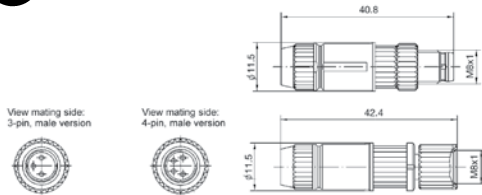


# Nano DC Field-Attachable Connectors

- Create the best cordset for an application. Choose your own jacket type and lead length
- Compatible with P+F “V3” style sensors
- Accommodates #26 - #22 AWG wire
- Plastic or metal body



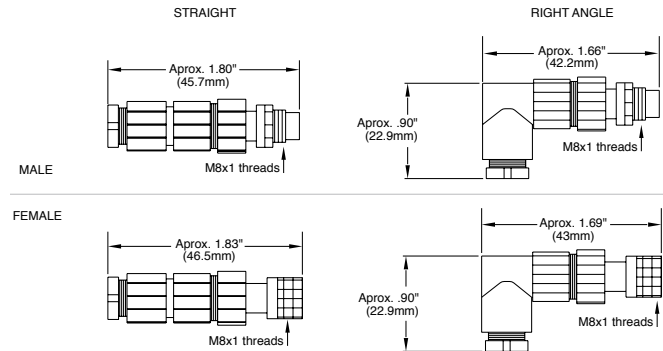
IDC:



## Specifications

Specifications	
<b>MATERIAL DATA</b>	
BODY	Black polypropylene/IDC-PVC/metal
INSERT	N/A
CABLE TYPE	Copper alloy
CONTACTS	Machined brass or bronze (gold plated)
SHELL	N/A
WIRE GAUGE	#22 - 26 AWG
COUPLING NUT	Nickel-plated diecast zinc
CABLE DIAMETER RANGE	4-5.1 mm
<b>ELECTRICAL DATA</b>	
CONTACT RESISTANCE	≤ 10 mΩ
ELECTRICAL ISOLATION	N/A
CURRENT RATING	Refer to model number selection
VOLTAGE RATING	60 VAC
<b>ENVIRONMENT DATA</b>	
PROTECTION CLASSES	IP67
TEMPERATURE RANGE	-40 °F to +176 °F (-40 °C to +80 °C)

## Dimensions (mm)



- ⚡ Stocked item
  - Typical delivery 4 weeks or less
- Consult factory for all other models

## Model Number Selection

Face View (female)	Color Code	Type	Straight	Gender	Current Rating	Right Angle	Gender
	1. Brown 2. Blue 3. Black	Plastic	V3-GM	⚡ Female	4A	V3-WM	⚡ Female
		Metal	V3-GM-IDC	⚡ Female	3A	V3-WM	⚡ Female
		Plastic	V3-GM-S	⚡ Male	4A	V3-WM-S	⚡ Male
		Metal	V3-GM-S-IDC	⚡ Male	3A	V3-WM-S	⚡ Male
	1. Brown 2. White 3. Blue 4. Black	Plastic	V31-GM	⚡ Female	3A	V31-WM	⚡ Female
		Plastic	V31-GM-S	⚡ Male	3A	V31-WM-S	⚡ Male

Subject to modifications without notice

Pepperl+Fuchs Group  
www.pepperl-fuchs.com

USA: +1 330 486 0001  
fa-info@us.pepperl-fuchs.com

Germany: +49 621 776 0  
fa-info@de.pepperl-fuchs.com

Copyright Pepperl+Fuchs  
Singapore: +65 6779 9091  
fa-info@sg.pepperl-fuchs.com

**PF PEPPERL+FUCHS**  
SENSING YOUR NEEDS

**Specifications**

MATERIAL DATA	
BODY	Green TPU
INSERT	PVC
CABLE TYPE	Gray, flexible PVC or PUR jacket
CONTACTS	Machined copper and tin
CONTACT PLATING	Gold
SHELL	N/A
WIRE GAUGE	#22 AWG
COUPLING NUT	Die-cast zinc
CABLE OUTER DIAMETER	4.8 mm
ELECTRICAL DATA	
CONTACT RESISTANCE	≤ 5 mΩ
ELECTRICAL ISOLATION	1500 VAC
CURRENT RATING	4 A
VOLTAGE RATING	60 VDC
ENVIRONMENT DATA	
PROTECTION CLASSES	IP68
TEMPERATURE RANGE	-22 °F to +212 °F

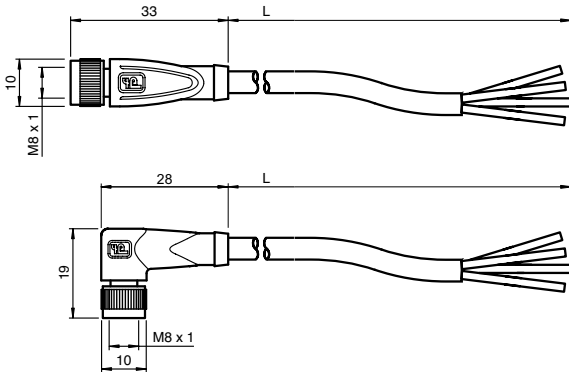
# Nano Cordsets

8 mm receptacle  
DC sensor compatibility

- Single key
- Gray PVC or PUR cable jacket
- #24 AWG
- Female version
- 3- and 4-pin
- Straight or right angle connection



**Dimensions (mm)**



**Model Number Selection**

Face View (female)	Color Code	Length (m)	Straight (PVC)	Right Angle (PVC)	Straight (PUR)	Right Angle (PUR)
	1. Brown 2. Blue 3. Black	2 5 10	V3-GM-2M-PVC ⚡ V3-GM-5M-PVC ⚡ V3-GM-10M-PVC ●	V3-WM-2M-PVC ⚡ V3-WM-5M-PVC ⚡ V3-WM-10M-PVC ●	V3-GM-2M-PUR ⚡ V3-GM-5M-PUR ⚡ V3-GM-10M-PUR ●	V3-WM-2M-PUR ⚡ V3-WM-5M-PUR ⚡ V3-WM-10M-PUR ●
	1. Brown 2. White 3. Blue 4. Black	2 5 10	V31-GM-2M-PVC ⚡ V31-GM-5M-PVC ⚡ V31-GM-10M-PVC ●	V31-WM-2M-PVC ⚡ V31-WM-5M-PVC ⚡ V31-WM-10M-PVC ●	V31-GM-2M-PUR ⚡ V31-GM-5M-PUR ⚡ V31-GM-10M-PUR ●	V31-WM-2M-PUR ⚡ V31-WM-5M-PUR ⚡ V31-WM-10M-PUR ●

- ⚡ Stocked item
  - Typical delivery 4 weeks or less
- Consult factory for all other models

Subject to modifications without notice

Pepperl+Fuchs Group  
www.pepperl-fuchs.com

USA: +1 330 486 0001  
fa-info@us.pepperl-fuchs.com

Germany: +49 621 776 0  
fa-info@de.pepperl-fuchs.com

Copyright Pepperl+Fuchs  
Singapore: +65 6779 9091  
fa-info@sg.pepperl-fuchs.com

**PEPPERL+FUCHS**  
SENSING YOUR NEEDS

# Snap-Lock Nano Cordsets

8 mm receptacle  
DC sensor compatibility

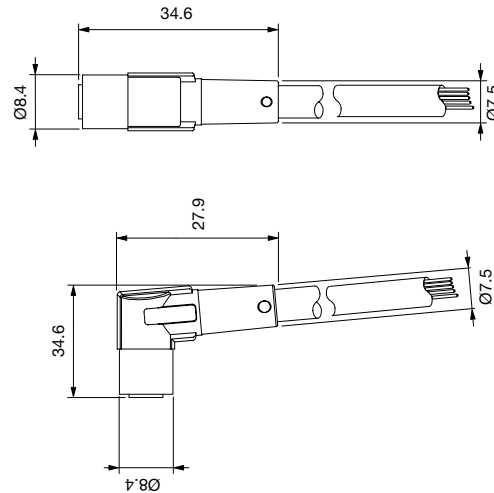
- Yellow PUR cable jacket
- Female version
- #24 AWG
- 3-pin
- Straight or right angle connection
- Halogen free



## Specifications

MATERIAL DATA	
MOLDED HEAD	Yellow TPU
CABLE OUTER JACKET	Yellow PUR
CONTACTS	Brass (nickel & gold plated)
CONTACT CARRIER	TPU with 20% glass fiber
COUPLING NUT	N/A
WIRE GAUGE	24 AWG
CABLE OUTER DIAMETER	4.4 mm
ELECTRICAL DATA	
NOMINAL CURRENT	4 A
RATED VOLTAGE	125 V
CONTACT RESISTANCE	≤ 5 mΩ
ENVIRONMENT DATA	
PROTECTION CLASSES	IP68/69K
TEMPERATURE RANGE	-13 °F to +176 °F

## Dimensions (mm)



- ⚡ Stocked item
- Typical delivery 4 weeks or less  
Consult factory for all other models

## Model Number Selection

Face View (female)	Color Code	Length (m)	Straight	Right Angle
	1. Brown	2	V3-GR-YE2M-PUR ⚡	V3-WR-YE2M-PUR ⚡
	2. Blue 3. Black	5	V3-GR-YE5M-PUR ⚡	V3-WR-YE5M-PUR ⚡

Subject to modifications without notice

Pepperl+Fuchs Group  
www.pepperl-fuchs.com

USA: +1 330 486 0001  
fa-info@us.pepperl-fuchs.com

Germany: +49 621 776 0  
fa-info@de.pepperl-fuchs.com

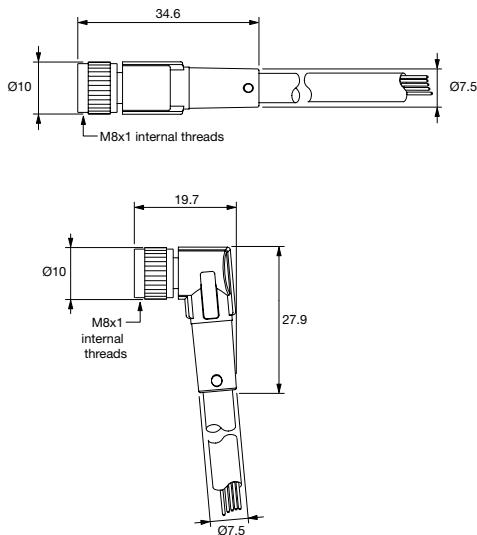
Copyright Pepperl+Fuchs  
Singapore: +65 6779 9091  
fa-info@sg.pepperl-fuchs.com

**PEPPERL+FUCHS**  
SENSING YOUR NEEDS

**Specifications**

MATERIAL DATA	
MOLDED HEAD	Yellow TPU
CABLE OUTER JACKET	Yellow PVC
CONTACTS	Brass (nickel & gold plated)
CONTACT CARRIER	TPU with 20% glass fiber
COUPLING NUT	Nickel-plated diecast zinc
WIRE GAUGE	24 AWG
ELECTRICAL DATA	
NOMINAL CURRENT	4 A
RATED VOLTAGE	125 V
CONTACT RESISTANCE	≤ 5 mΩ
ENVIRONMENT DATA	
PROTECTION CLASSES	IP68/69K
TEMPERATURE RANGE	-22°F to +221°F

**Dimensions (mm)**



# Thread-Lock Nano Cordsets

8 mm receptacle  
DC sensor compatibility

- Yellow PVC cable jacket
- Female version
- #24 AWG
- 3- and 4-pin
- Straight and right angle connection



Cordsets Nano Cordsets

- ⚡ Stocked item
- Typical delivery 4 weeks or less
- Consult factory for all other models

Model Number Selection					
Face View (female)	Color Code	Outer Diameter (mm)	Length (m)	Straight	Right Angle
	1. Brown 2. Blue 3. Black	5.0	2 5 10	V3-GM-YE2M-PVC ⚡ V3-GM-YE5M-PVC ⚡ V3-GM-YE10M-PVC ●	V3-WM-YE2M-PVC ⚡ V3-WM-YE5M-PVC ⚡ V3-WM-YE10M-PVC ●
	1. Brown 2. White 3. Blue 4. Black	5.2	2 5 10	V31-GM-YE2M-PVC ⚡ V31-GM-YE5M-PVC ⚡ V31-GM-YE10M-PVC ●	V31-WM-YE2M-PVC ⚡ V31-WM-YE5M-PVC ⚡ V31-WM-YE10M-PVC ●

Subject to modifications without notice

Pepperl+Fuchs Group  
www.pepperl-fuchs.com

USA: +1 330 486 0001  
fa-info@us.pepperl-fuchs.com

Germany: +49 621 776 0  
fa-info@de.pepperl-fuchs.com

Copyright Pepperl+Fuchs  
Singapore: +65 6779 9091  
fa-info@sg.pepperl-fuchs.com

**PEPPERL+FUCHS**  
SENSING YOUR NEEDS

# Nano DC Cordsets with Power and Output LEDs

- Thread-lock versions
- PVC cable jacket
- #24 AWG wire



## Specifications

### MATERIAL DATA

MOLDED HEAD	Clear TPU
CABLE OUTER JACKET	Yellow PVC
CONTACTS	Brass (nickel & gold plated)
CONTACT CARRIER	TPU with 20% glass fiber
COUPLING NUT	Nickel-plated diecast zinc
WIRE GAUGE	24 AWG
CABLE OUTER DIAMETER	5.0 mm

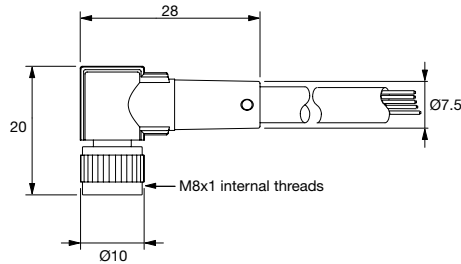
### ELECTRICAL DATA

NOMINAL CURRENT	4 A
RATED VOLTAGE	10-30 V
CONTACT RESISTANCE	≤ 5 mΩ

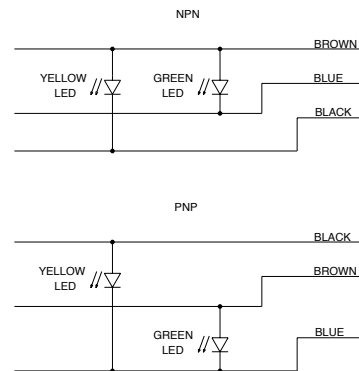
### ENVIRONMENT DATA

PROTECTION CLASSES	IP68/69K
TEMPERATURE RANGE	-22°F to +221°F

## Dimensions (mm)



## Wiring information



- ⚡ Stocked item
- Typical delivery 4 weeks or less
- Consult factory for all other models

## Model Number Selection

Face View (female)	Color Code	Electrical Output	Length (m)	Right Angle
	1. Brown 3. Blue 4. Black	NPN PNP NPN PNP	5 5 5 5	V3-WM-E0-YE2M-PVC ⚡ V3-WM-E2-YE2M-PVC ⚡ V3-WM-E0-YE5M-PVC ⚡ V3-WM-E2-YE5M-PVC ⚡

Subject to modifications without notice

Pepperl+Fuchs Group  
www.pepperl-fuchs.com

USA: +1 330 486 0001  
fa-info@us.pepperl-fuchs.com

Germany: +49 621 776 0  
fa-info@de.pepperl-fuchs.com

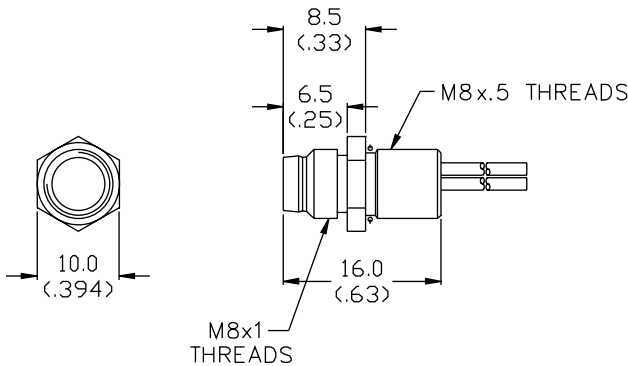
Copyright Pepperl+Fuchs  
Singapore: +65 6779 9091  
fa-info@sg.pepperl-fuchs.com



**Specifications**

MATERIAL DATA	
BODY	Machined brass with nickel plating
INSERT	Polyamide
CABLE TYPE	N/A
CONTACTS	Copper alloy (gold plated)
WIRE GAUGE	#24 AWG
COUPLING NUT	N/A
ELECTRICAL DATA	
CURRENT RATING	4 A
VOLTAGE RATING	60 V
ENVIRONMENT DATA	
PROTECTION CLASSES	IP67
TEMPERATURE RANGE	-13 °F to +194 °F (-25 °C to +90 °C)

**Dimensions (mm)**



# Nano Receptacles

## M8 x 0.5 Installation Thread

- Thread lock or snap lock compatible
- Machined aluminum housing
- Male version
- #24 AWG
- 3-pin



**Model Number Selection**

Face View (male)	Color Code	Current Rating	Length (m)	Straight
	1. Brown 2. Blue 3. Black	4A	.5	M8-V3-G-S-.5M ⚡

- ⚡ Stocked item
- Typical delivery 4 weeks or less
- Consult factory for all other models

Subject to modifications without notice

Pepperl+Fuchs Group  
www.pepperl-fuchs.com

USA: +1 330 486 0001  
fa-info@us.pepperl-fuchs.com

Germany: +49 621 776 0  
fa-info@de.pepperl-fuchs.com

Copyright Pepperl+Fuchs  
Singapore: +65 6779 9091  
fa-info@sg.pepperl-fuchs.com

**PEPPERL+FUCHS**  
SENSING YOUR NEEDS

# DC Micro Multi-Port Junction Blocks

## Cable-type home run connection

- Four and eight ports available
- Female receptacles
- Top mounting
- LED indicators for power and status
- 5 or 10 meter cables available

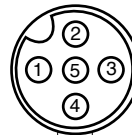


### Specifications

Specifications	
<b>MATERIAL DATA</b>	
BODY	Green PVC
CONNECTION	Flexible cable
CABLE	
MATERIAL	Black PUR
OUTSIDE DIAMETER	4-port: 8.7 mm / 8-port 9.2 mm
CONDUCTORS	Signal wires: #22 AWG Power supply & ground 3 x #18 AWG
<b>ELECTRICAL DATA</b>	
VOLTAGE RATING	10-30 VDC
CURRENT CONSUMPTION	≤ 5 mA per channel (for LED)
CURRENT RATING	≤ 2 A per port
<b>LED INDICATORS</b>	
GREEN	Power
YELLOW	PNP I/O status
<b>ENVIRONMENT DATA</b>	
PROTECTION CLASSES	IP67
TEMPERATURE RANGE	-13 °F to +167 °F

### Wiring Information

OUTPUT RECEPTACLE -  
(FEMALE)



1. Power (+)
2. Not used
3. Power (-)
4. I/O (load)
5. Ground

### Dimensions (mm)

See page 847



### Model Number Selection

Ports	Color Code	Function	Length (m)	LED	Model Number
4	Brown Blue Green/Yellow White Green Yellow Grey	Power (+)	5 10	PNP PNP	V1-4A-E2-5M-PUR ⚡ V1-4A-E2-10M-PUR ⚡
		Power (-)			
8	Brown Blue Green/Yellow White Green Yellow Grey Pink Red Black Violet	Power (+)	5 10	PNP PNP	V1-8A-E2-5M-PUR ⚡ V1-8A-E2-10M-PUR ⚡
		Power (-)			

⚡ Stocked item

- Typical delivery 4 weeks or less  
Consult factory for all other models

Subject to modifications without notice

Pepperl+Fuchs Group USA: +1 330 486 0001  
www.pepperl-fuchs.com fa-info@us.pepperl-fuchs.com

Germany: +49 621 776 0  
fa-info@de.pepperl-fuchs.com

Copyright Pepperl+Fuchs  
Singapore: +65 6779 9091  
fa-info@sg.pepperl-fuchs.com

**PEPPERL+FUCHS**  
SENSING YOUR NEEDS



Specifications	
<b>MATERIAL DATA</b>	
BODY	Green PVC
CONNECTION	12-pin M23 round connector
<b>ELECTRICAL DATA</b>	
VOLTAGE RATING	10-30 VDC
CURRENT CONSUMPTION	≤ 5 mA per channel (for LED)
CURRENT RATING	≤ 2 A per port
<b>LED INDICATORS</b>	
GREEN	Power
YELLOW	PNP I/O status
<b>ENVIRONMENT DATA</b>	
PROTECTION CLASSES	IP67
TEMPERATURE RANGE	-13 °F to +167 °F

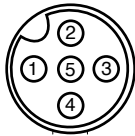
# DC Micro Multi-Port Junction Blocks

Quick disconnect home run connection

- Quick disconnect style
- Four and eight ports available
- Female receptacles
- Top mounting
- LED indicators for power & status

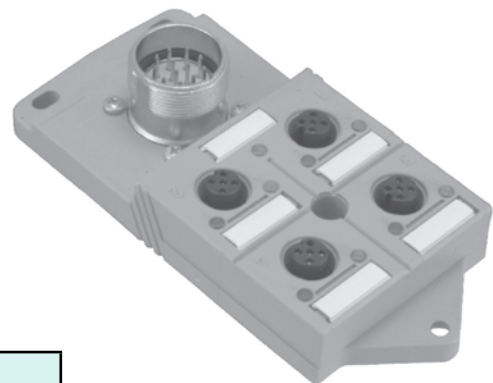
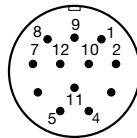
## Wiring Information

OUTPUT RECEPTACLE - (FEMALE)



1. Power (+)
2. Not used
3. Power (-)
4. I/O (load)
5. Ground

M23 Connector



## Mating Cables

Image	Length (m)	Straight	Right Angle
	5	V23-G-5M-PUR ⚡	V23-W-5M-PUR ⚡
	10	V23-G-10M-PUR ●	V23-W-10M-PUR ●

## Dimensions (mm)

See page 847



## Model Number Selection

Ports	M23 Connector	Color Code	Function	Length (m)	Model Number
4	11 9+10 12 1 2 3 4	Brown Blue Green/Yellow White Green Yellow Grey	Power (+) Power (-) Ground Port #1 I/O Port #2 I/O Port #3 I/O Port #4 I/O	5	V1-4A-E2-M23 ⚡
8	11 9+10 12 1 2 3 4 5 6 7 8	Brown Blue Green/Yellow White Green Yellow Grey Pink Red Black Violet	Power (+) Power (-) Ground Port #1 I/O Port #2 I/O Port #3 I/O Port #4 I/O Port #5 I/O Port #6 I/O Port #7 I/O Port #8 I/O	5	V1-8A-E2-M23 ⚡

- ⚡ Stocked item
- Typical delivery 4 weeks or less
- Consult factory for all other models

Cordsets Micro Multi-port Junction Blocks

Subject to modifications without notice

Pepperl+Fuchs Group  
www.pepperl-fuchs.com

USA: +1 330 486 0001  
fa-info@us.pepperl-fuchs.com

Germany: +49 621 776 0  
fa-info@de.pepperl-fuchs.com

Copyright Pepperl+Fuchs  
Singapore: +65 6779 9091  
fa-info@sg.pepperl-fuchs.com

**PEPPERL+FUCHS**  
SENSING YOUR NEEDS

# DC Micro Multi-Port Junction Blocks

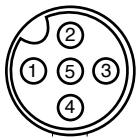
Terminal block home run connection

- Two signals per port
- Four and eight ports available
- Female receptacles
- Top mounting
- LED indicators for power & status



## Wiring Information

OUTPUT RECEPTACLE - (FEMALE)



1. Power (+)
2. I/O (signal B)
3. Power (-)
4. I/O (signal A)
5. Ground

Note: See page 871 for dual input T-splitter

## Specifications

Specifications	
<b>MATERIAL DATA</b>	
BODY	Green PVC
CONNECTION	Spring-loaded terminals for 16 AWG to 25 AWG conductors
CABLE SHEATH DIAMETER	6.5 to 9.5 mm
<b>ELECTRICAL DATA</b>	
VOLTAGE RATING	10-30 VDC
CURRENT CONSUMPTION	≤ 5 mA per channel (for LED)
CURRENT RATING	≤ 2 A per port ≤ 4 A per plug-in station
<b>LED INDICATORS</b>	
GREEN	Power
YELLOW	PNP I/O status
<b>ENVIRONMENT DATA</b>	
PROTECTION CLASSES	IP67
TEMPERATURE RANGE	-13 °F to +167 °F

## Dimensions (mm)

See page 847

## Model Number Selection

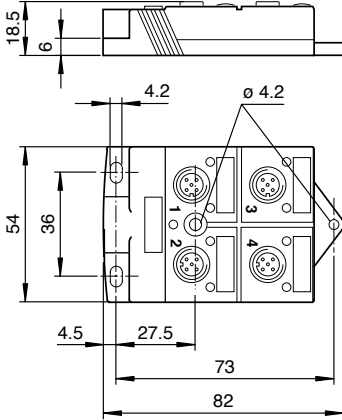
Ports	Terminal	Socket/Pin (signal)	Model Number
4	1/4	1/4 (A)	V1-4/8A-E2 ⚡
	1/2	1/2 (B)	
	2/4	2/4 (A)	
	2/2	2/2 (B)	
	3/4	3/4 (A)	
	3/2	3/2 (B)	
	4/4	4/4 (A)	
	4/2	4/2 (B)	
	UN	1-4/1 (+24V)	
	PE	1-4/5 (ground)	
	0V	1-4/3 (0V)	
8	1/4	1/4 (A)	V1-8/16A-E2 ⚡
	1/2	1/2 (B)	
	2/4	2/4 (A)	
	2/2	2/2 (B)	
	3/4	3/4 (A)	
	3/2	3/2 (B)	
	4/4	4/4 (A)	
	4/2	4/2 (B)	
	5/4	5/4 (A)	
	5/2	5/2 (B)	
	6/4	6/4 (A)	
	6/2	6/2 (B)	
	7/4	7/4 (A)	
	7/2	7/2 (B)	
	8/4	8/4 (A)	
	8/2	8/2 (B)	
	UN	1-8/1 (+24V)	
PE	1-8/5 (ground)		
0V	1-8/3 (0V)		

⚡ Stocked item

- Typical delivery 4 weeks or less
- Consult factory for all other models

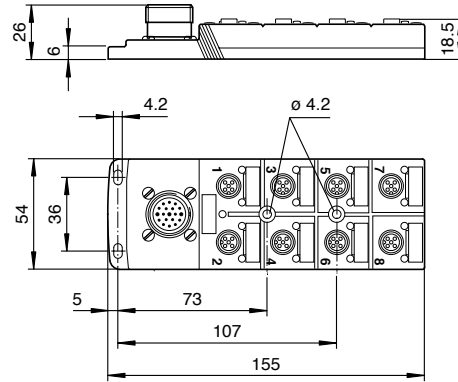
**Model Numbers**

V1-4A-E2-5M-PUR  
V1-4A-E2-10M-PUR



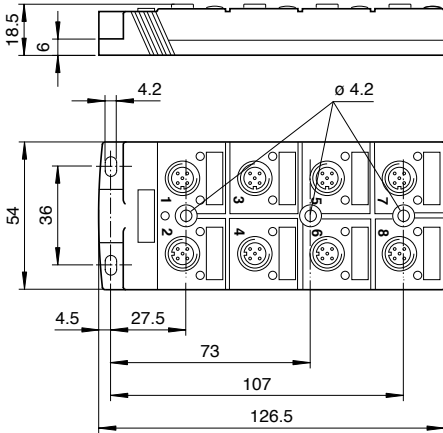
**Model Number**

V1-8A-E2-M23



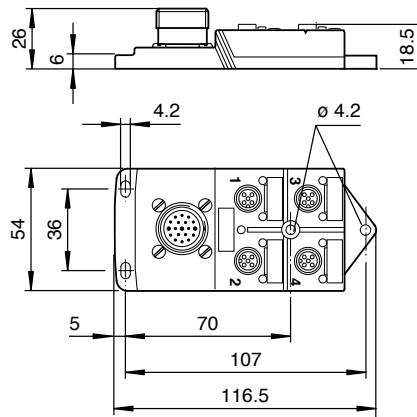
**Model Numbers**

V1-8A-E2-5M-PUR  
V12-8A-E2-10M-PUR



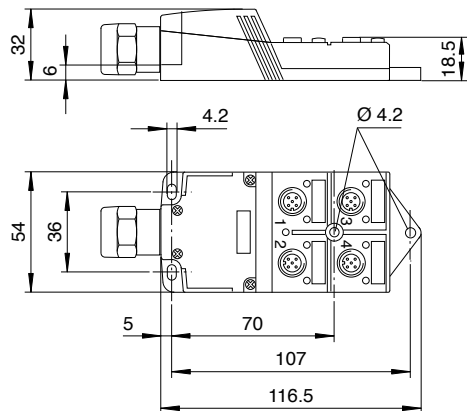
**Model Number**

V1-4A-E2-M23



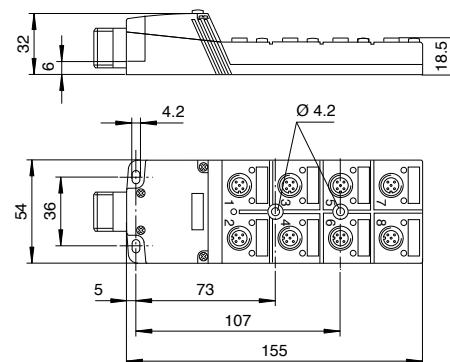
**Model Number**

V1-4/8A-E2



**Model Number**

V1-8/16A-E2



Subject to modifications without notice

Pepperl+Fuchs Group USA: +1 330 486 0001  
www.pepperl-fuchs.com fa-info@us.pepperl-fuchs.com

Germany: +49 621 776 0  
fa-info@de.pepperl-fuchs.com

Copyright Pepperl+Fuchs  
Singapore: +65 6779 9091  
fa-info@sg.pepperl-fuchs.com

# DC Micro Dual-Port Junction Blocks

## 12 mm receptacle

- Single key
- PVC cable jacket
- #18 AWG
- 4-pin



### Specifications

#### MATERIAL DATA

MOLDED HEAD	Yellow TPU
CABLE OUTER JACKET	Irradiated PUR
CONTACTS	Brass (nickel & gold plated)
CONTACT CARRIER	TPU with 20% glass fiber
COUPLING NUT	Nickel-plated diecast zinc
WIRE GAUGE	22 AWG
CABLE OUTER DIAMETER	5.2 mm

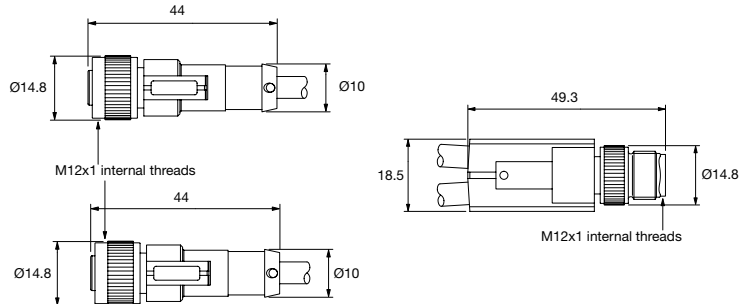
#### ELECTRICAL DATA

NOMINAL CURRENT	3 A
RATED VOLTAGE	300 V
CONTACT RESISTANCE	≤ 5 mΩ

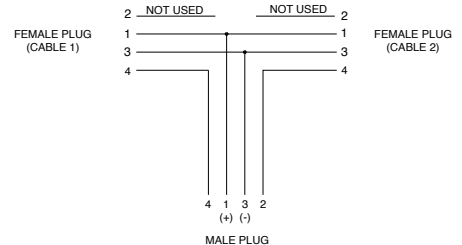
#### ENVIRONMENT DATA

PROTECTION CLASSES	IP68/IP69K
TEMPERATURE RANGE	-40 °F to +176 °F

### Dimensions (mm)



### Wiring Diagram



### Model Number Selection

Face View (female)	Color Code	Length (m)	Model Number
	1. Brown 2. White 3. Blue 4. Black 5. Not Used	.3	V1-G-.3M-T-0M-V1-G ⚡

- ⚡ Stocked item
- Typical delivery 4 weeks or less
- Consult factory for all other models

Subject to modifications without notice

Pepperl+Fuchs Group  
www.pepperl-fuchs.com

USA: +1 330 486 0001  
fa-info@us.pepperl-fuchs.com

Germany: +49 621 776 0  
fa-info@de.pepperl-fuchs.com

Copyright Pepperl+Fuchs  
Singapore: +65 6779 9091  
fa-info@sg.pepperl-fuchs.com

**PEPPERL+FUCHS**  
SENSING YOUR NEEDS

**Specifications**

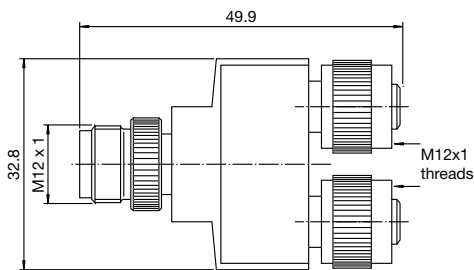
MATERIAL DATA	
CONNECTOR	TPU
CONTACTS	Brass (nickel & gold plated)
CONTACT CARRIER	TPU with 20% glass fiber
COUPLING NUT	Nickel-plated diecast zinc
ELECTRICAL DATA	
NOMINAL CURRENT	3 A
RATED VOLTAGE	24 V
CONTACT RESISTANCE	≤ 5 mΩ
ENVIRONMENT DATA	
PROTECTION CLASSES	IP67
TEMPERATURE RANGE	-13 °F to +194 °F

# DC Micro Dual-Port Junction Blocks

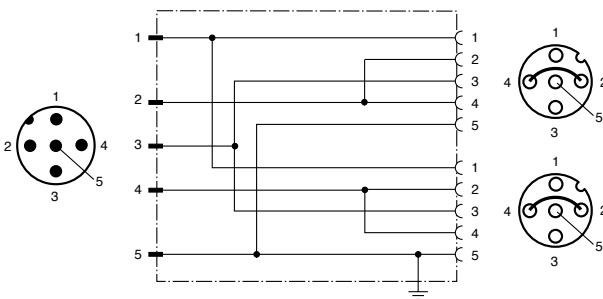
## 12 mm receptacle

- Single key
- For dual-input multiport junction blocks
- 5-pin

**Dimensions (mm)**



**Wiring Diagram**



**Model Number Selection**

Face View (female)	Color Code	Model Number
	1. Brown 2. White 3. Blue 4. Black 5. Grey	V15S-T-V15 ⚡

- ⚡ Stocked item
- Typical delivery 4 weeks or less
- Consult factory for all other models

Cordsets Micro Dual-port Junction Blocks

Subject to modifications without notice

Pepperl+Fuchs Group  
www.pepperl-fuchs.com

USA: +1 330 486 0001  
fa-info@us.pepperl-fuchs.com

Germany: +49 621 776 0  
fa-info@de.pepperl-fuchs.com

Copyright Pepperl+Fuchs  
Singapore: +65 6779 9091  
fa-info@sg.pepperl-fuchs.com

**PEPPERL+FUCHS**  
SENSING YOUR NEEDS