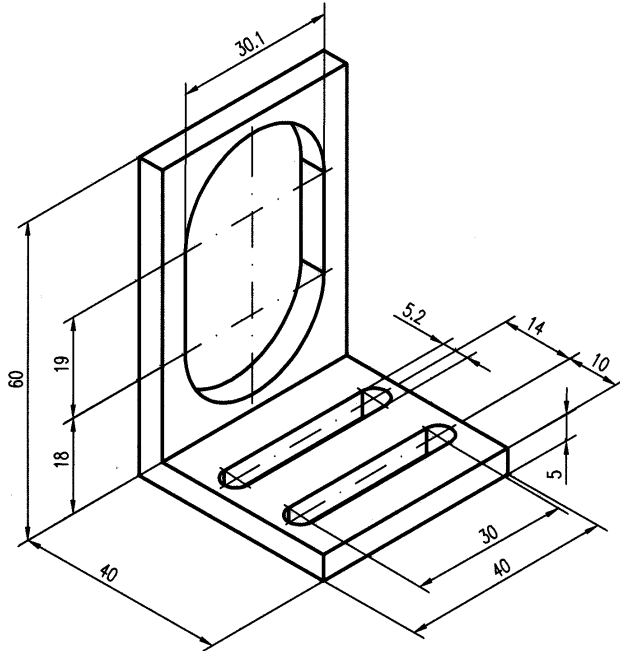


Mounting Bracket

40 x 60 x 40

BES 30-HW-1

BAM00HH



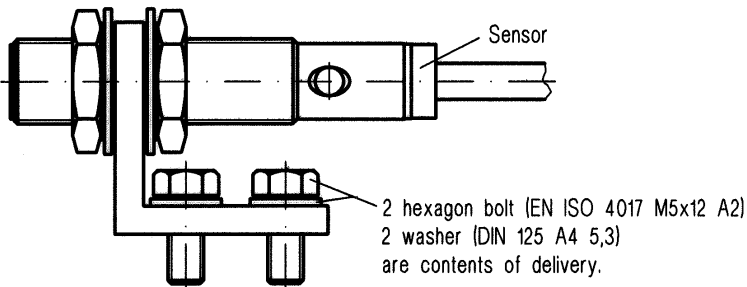
Use

The mounting bracket is used for securing sensors M30x1.

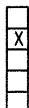
Data

Material Aluminium

Installation Example



Definitions see general catalog



HOLCZM 07.04.2009 Modifications reserved Mod.-No.02.109919

Balluff GmbH, P.O. Box 1160, 73761 Neuhausen, Germany
 Phone: +49 7158 1730, Fax: +49 7158 5010