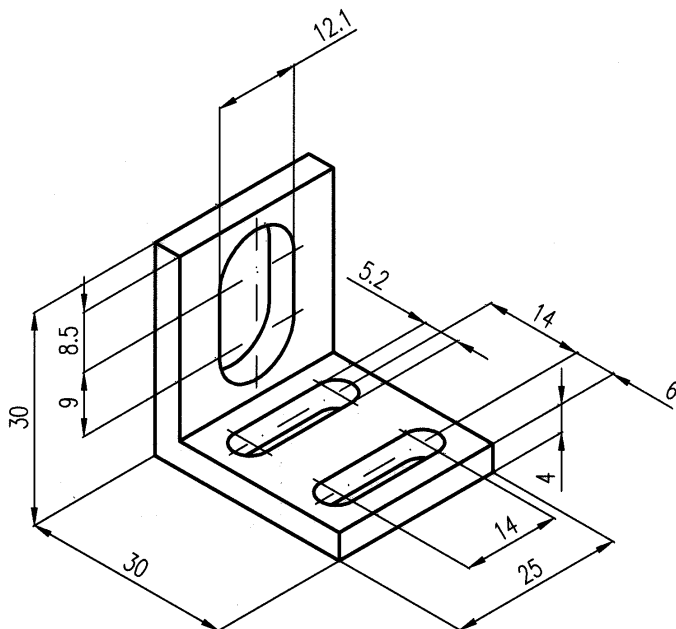


**Mounting Bracket**  
25 x 30 x 30

**BES 12-HW-1**  
**BAM00C0**



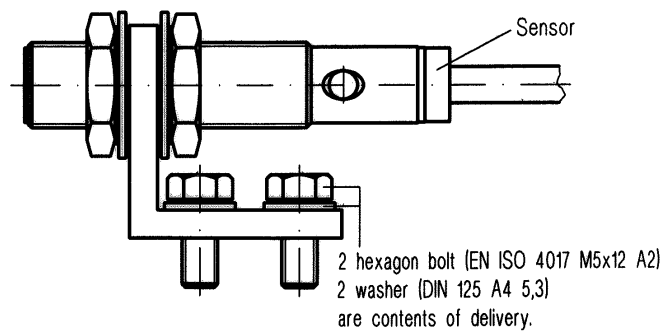
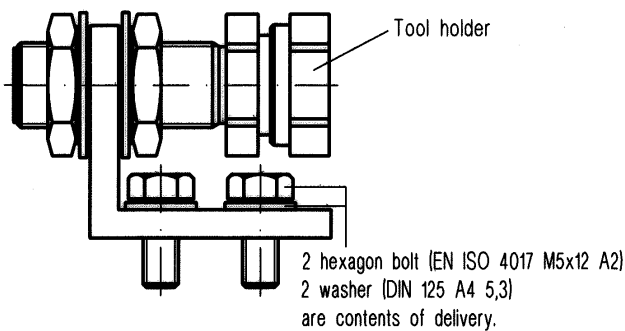
**Use**

The mounting bracket is used for securing "Prox-Mount" tubes, e.g. BES 8.0-KH-2...  
The mounting bracket is used for securing sensors M12x1.

**Data**

Material Aluminium

**Installation Example**



Definitions see general catalog



HOLCZM 06.04.2009 Modifications reserved Mod.-No. 05.109919

Balluff GmbH, P.O. Box 1160, 73761 Neuhausen, Germany  
Phone: +49 7158 1730, Fax: +49 7158 5010