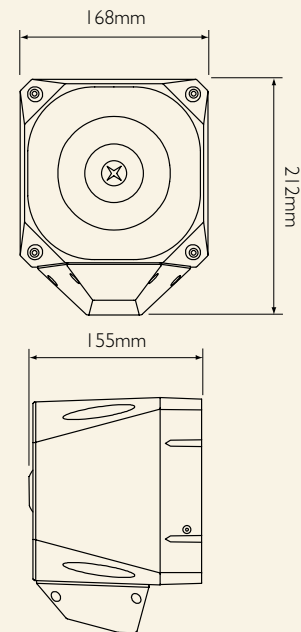


## ASSERTA 24 VOLT HIGH OUTPUT SOUNDER / BEACON



The Asserta Industrial warning sounder / beacon is designed to cope with harsh environments requiring protection to IP66. Design features are incorporated to ensure safer and easier installation, while providing flexibility with fewer product variants.

- 24Vdc OPERATION
- 110dB(A) OR 120dB(A) OUTPUT VERSION AVAILABLE
- IP66 PROTECTION
- FULLY INTEGRATED ASYMMETRIC BEACON USES LIGHT MORE EFFICIENTLY
- SIMPLE FIRST & SECOND FIX INSTALLATION
- 42 ALARM TONES
- 3 STAGE ALARM
- SOUNDER TIME OUT - USER ADJUSTABLE
- OPTIONAL SWIVEL MOUNT BRACKET

## Specification

Voltage	18 - 30Vdc
Current	110dB(A) = 320mA    120dB(A) = 650mA
Output @ 1m	110dB(A)    120dB(A)
Tones	42
Alarm Stages	3
Flash Rate	0.75 / 1.0 / 1.25 / 2Hz (user selectable)
Flash Power	3.6j (typ)
Temperature	- 20°C to + 70°C
Construction Body	PC / ABS
Construction Lens	Polycarbonate
IP Rating	IP66
Weight	1.8Kg
Body Colour	Red or Grey
Lens Colour	Red, Amber or Clear