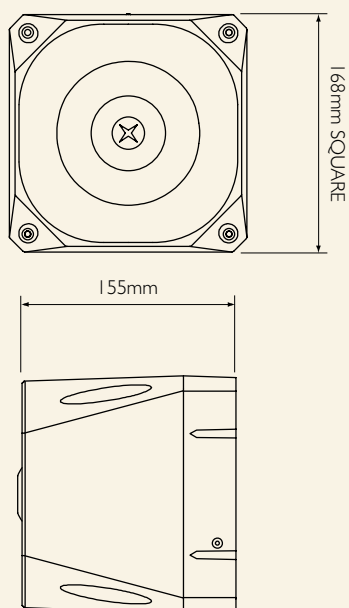


## ASSERTA 230 VOLT HIGH OUTPUT SOUNDER



### Specification

Voltage	115 to 230Vac
Current	110dB(A) = 35mA 120dB(A) = 70mA
Output @ 1m	110dB(A) 120dB(A)
Tones	42
Alarm Stages	3
Temperature	- 20°C to + 70°C
Construction	PB/ABS
IP Rating	IP66
Weight	2Kg
Colour	Red or Grey

The Asserta industrial warning sounder is designed to cope with harsh environments requiring protection to IP66. Design features are incorporated to ensure safer and easier installation, while providing flexibility with fewer product variants.

- OPERATING FROM 115Vac OR 230Vac
- 110dB(A) OR 120dB(A) OUTPUT VERSION AVAILABLE
- IP66 PROTECTION
- SIMPLE FIRST & SECOND STAGE INSTALLATION
- 42 ALARM TONES
- 3 STAGE ALARM
- SOUNDER TIME OUT - USER ADJUSTABLE
- OPTIONAL SWIVEL MOUNT BRACKET